



12" PRISMATIC EXT SERIES



PREXT12GV

APPLICATION

12" Lumen Max GV series performance pendant for low, mid-bay and high-bay applications. Prismatic refractor provides horizontal and vertical distribution.

FEATURES

Extruded Fixture Housing (EXT) features a clean and modern design. Single-stage optical system for smooth light distribution. 80 CRI minimum. Consult factory for high CRI or special applications. LED module and driver designed for ease of maintenance and replacement. Posi-lock refractor retention ring will absorb shocks and impact. Optional safety cable. Variety of optical lenses and mounting methods.

FINISH

Multi-stage polyester powder-coat process applied on our dedicated paint lines. Variety of standard and custom finishes are available. All exposed materials are chromate pretreated to resist corrosion.

ELECTRONICS

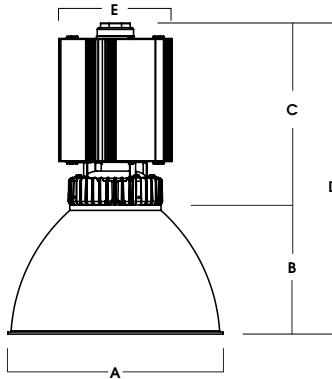
GV LED system features high brightness white Samsung LED's. 3-step MacAdam Ellipse binning. Standard CRI: 80+. Higher CRI, R9 and custom LED configurations are available, consult factory.

CONSTRUCTION

Extruded and machined 6063-T5 aluminum housing. Graphite gasket for optimal thermal management. Die-cast aluminum heat sink. Refractor made of cast UV stabilized acrylic.

CODE COMPLIANCE

BAA compliant. ETL certified to meet US and Canadian standards. Suitable for dry or damp locations. Manufactured and tested to UL standards No. 1598/8750.



A	B	C	D	E
12.4	7.4	10.5	17.9	6.5
315.0 mm	188.0 mm	266.7 mm	454.7 mm	165.1 mm

LUMENS / WATTAGE DATA				
PART NUMBER	SOURCE LUMENS ¹	DELIVERED LUMENS ²	SYSTEM WATTS	LPW
PREXT12GV15L	1500	1323	10	132
PREXT12GV27L	2700	2303	18	128
PREXT12GV37L	3700	3381	26	130
PREXT12GV55L	5500	4899	39	126

SERIES	LUMENS ¹	CCT	DRIVER / DIMMING ³	OPTIONS ⁴	MOUNTING ⁵	REFRACTOR	DIFFUSER OPTIONS	FINISH ¹¹	
PREXT12GV	15L 1500 Lm	27K 2700K	EX Electronic Driver, 120V/277V	FS Fusing E347 347V Driver SC1 Safety Cable SC2 Safety Cable, Refractor to Door	HM ⁶ Hang Straight AT ⁶ Hang Straight All Thread PM ⁶ Rigid Pendant CD ⁶ Cord / Cable Mount HC ^{6/7/8} Hook & Cord NM2 ^{7/8/9} 1/2" NPT Hub NM3 ^{7/8/9} 3/4" NPT Hub	DF12 12" Diffuse PR12 12" Clear	DOOR DR12A ¹⁰ 12" Spun Door BC12 12" Band Clamp	MW ¹² Matte White MB ¹² Matte Black PT ¹² Platinum Silver CC Custom Color	
	27L 2700 Lm	30K 3000K							DS10X 10% 0-10V, 120V/277V
	37L 3700 Lm	35K 3500K	DO10X 1% 0-10V, 120V/277V						
	55L 5500 Lm	40K 4000K 50K 5000K							

EXAMPLE: PREXT12GV15L27KEX/HM36/PR12/DR12ACN/MW

NOTES:
 1 Nominal Source Lumens at 35K 2 Nominal Delivered Lumens at 35K with DF12/DR12A/CNFR 3 Contact Factory for Additional Options 4 See Product Options Page For Details 5 See Mounting Page for Details on Components and Finishes 6 Specify Length in Inches: See Mounting Page for Available Lengths 7 Mounting Supplied by Others 8 Not Available with EMCR 9 12" Leads Unless Specified 10 Same Finish as Housing 11 See Color Page for More Options/Consult Factory for Special Finishes 12 Standard Finishes



PROJECT: _____
 QUANTITY: _____ TYPE: _____



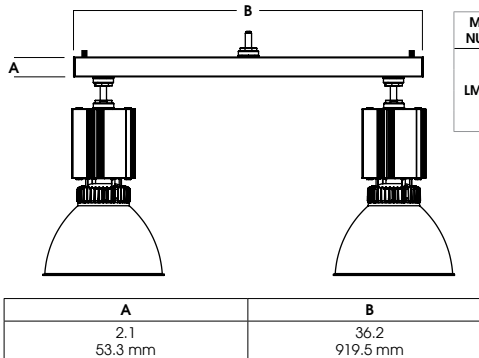
12" PRISMATIC

EXT SERIES / FIXTURE OPTIONS



SERIES OPTIONS

SHOWN WITH PREXT16GV SERIES¹



MODEL NUMBER	DESCRIPTION	OPTIONS		FINISH
LMX2BKT	Lumen Max Twin High bay Mounting Bar	NM2	1/2" Stem	MW MB BZ PT
		NM3	3/4" Stem	
		NM1	1" Stem	
		SC2X	2x Cable Balancers	

NOTES:
¹ Will Work With Any Spectrum Lumenmax Hi-bay From 12" to 22"

STANDARD FINISHES

MW
MATTE WHITE



MB
MATTE BLACK



PT
PLATINUM SILVER



MOUNTING TYPES

HM / AT / PM
HANG STRAIGHT / ALL THREAD / PENDANT



CD
CORD / CABLE MOUNT



HC
HOOK CORD



NM / SM
NO MOUNT



12" PRISMATIC

EXT SERIES / PHOTOMETRIC DATA



PRxxx12GV 55L 35K XX PR12 MW

CANDLEPOWER CURVE TEST SP-00456_34	INTENSITY CANDELA 0° AZIMUTH	ZONAL LUMENS	SINGLE UNIT: PERFORMANCE DIRECT FOOTCANDLES BASED ON DOWNLIGHT ONLY				MULTIPLE UNITS: PERFORMANCE 80/50/20% REFLECTANCES INITIAL FOOTCANDLES AND WATTS PER SQUARE FOOT					
			Mounting Height AFF	FC at Center on Floor	Beam Diameter	FC at Beam Edge	Ceiling Height	Fixture Spacing	RCR 1		RCR 3	
	0°	0° - 10° 577 11%	8'	100 fc	7.1'	38 fc	18'	9"	68	0.49	67	0.56
	0°	0° - 30° 3291 65%	10'	64 fc	8.9'	24 fc	22'	11'	45	0.32	39	0.32
	20°	0° - 60° 4828 95%	12'	44 fc	10.7'	17 fc	26'	13'	33	0.24	25	0.21
	40°	90° - 120° 37 1%	14'	33 fc	12.5'	12 fc	Delivered Illuminance Rating: (DIR)					
	60°	90° - 150° 68 1%	16'	25 fc	14.3'	10 fc	139 FC per W/Sq. Ft.					
	80°	0° - 90° 5006 99%	20'	16 fc	17.8'	6 fc	119 FC per W/Sq. Ft.					
	100°	90° - 180° 72 1%	24'	11 fc	21.4'	4 fc	3' Suspension Length to luminous aperture Square rooms used for multiple units: RCR 1: Length & Width = Ceiling Ht. - 5.5' x 10.00 RCR 3: Length & Width = Ceiling Ht. - 5.5' x 3.33 * Average Footcandles at 2.5' Above Floor * Exceeds Spacing Ratio by 6%					
	120°	Total 5079 100%	28'	8 fc	25.0'	3 fc						
	140°											
	160°											
	180°											

Delivered Lumens: 5079
Luminaire Watts: 39
LER: 130.23

CP at 0° (Nadir): 6397
CRI: 83

Beam Angle: 50°
Spacing Ratio: 0.68

Lumen Multiplier: 15L x 0.27, 27L x 0.46, 37L x 0.68
CCT Multiplier: 27K x 0.97, 30K x 0.99, 40K x 1.03
50K x 1.06

PRxxx12GV 55L 35K XX PR12 DR12A CNFR MW

CANDLEPOWER CURVE TEST SP-00456_29	INTENSITY CANDELA 0° AZIMUTH	ZONAL LUMENS	SINGLE UNIT: PERFORMANCE DIRECT FOOTCANDLES BASED ON DOWNLIGHT ONLY				MULTIPLE UNITS: PERFORMANCE 80/50/20% REFLECTANCES INITIAL FOOTCANDLES AND WATTS PER SQUARE FOOT					
			Mounting Height AFF	FC at Center on Floor	Beam Diameter	FC at Beam Edge	Ceiling Height	Fixture Spacing	RCR 1		RCR 3	
	0°	0° - 10° 268 5%	8'	43 fc	6.1'	11 fc	18'	9"	63	0.49	38	0.36
	0°	0° - 30° 2150 44%	10'	28 fc	7.7'	7 fc	22'	11'	41	0.32	34	0.32
	20°	0° - 60° 4111 84%	12'	19 fc	9.2'	5 fc	26'	13'	27	0.21	22	0.21
	40°	90° - 120° 267 5%	14'	14 fc	10.8'	4 fc	Delivered Illuminance Rating: (DIR)					
	60°	90° - 150° 437 9%	16'	11 fc	12.3'	3 fc	128 FC per W/Sq. Ft.					
	80°	0° - 90° 4459 91%	20'	7 fc	15.4'	2 fc	105 FC per W/Sq. Ft.					
	100°	90° - 180° 439 9%	24'	5 fc	18.4'	1 fc	3' Suspension Length to luminous aperture Square rooms used for multiple units: RCR 1: Length & Width = Ceiling Ht. - 5.5' x 10.00 RCR 3: Length & Width = Ceiling Ht. - 5.5' x 3.33 * Average Footcandles at 2.5' Above Floor					
	120°	Total 4899 100%	28'	4 fc	21.5'	1 fc						
	140°											
	160°											
	180°											

Delivered Lumens: 4899
Luminaire Watts: 39
LER: 125.62

CP at 0° (Nadir): 2760
CRI: 83

Beam Angle: 75°
Spacing Ratio: 1.15

Lumen Multiplier: 15L x 0.27, 27L x 0.46, 37L x 0.68
CCT Multiplier: 27K x 0.97, 30K x 0.99, 40K x 1.03
50K x 1.06

PRxxx12GV 55L 35K XX PR12 DR12A CN MW

CANDLEPOWER CURVE TEST SP-00456_28	INTENSITY CANDELA 0° AZIMUTH	ZONAL LUMENS	SINGLE UNIT: PERFORMANCE DIRECT FOOTCANDLES BASED ON DOWNLIGHT ONLY				MULTIPLE UNITS: PERFORMANCE 80/50/20% REFLECTANCES INITIAL FOOTCANDLES AND WATTS PER SQUARE FOOT					
			Mounting Height AFF	FC at Center on Floor	Beam Diameter	FC at Beam Edge	Ceiling Height	Fixture Spacing	RCR 1		RCR 3	
	0°	0° - 10° 279 6%	8'	44 fc	6.2'	11 fc	18'	9"	63	0.49	39	0.36
	0°	0° - 30° 2390 49%	10'	28 fc	7.8'	7 fc	22'	11'	41	0.32	35	0.32
	20°	0° - 60° 4267 88%	12'	20 fc	9.3'	5 fc	26'	13'	27	0.21	22	0.21
	40°	90° - 120° 216 4%	14'	14 fc	10.9'	4 fc	Delivered Illuminance Rating: (DIR)					
	60°	90° - 150° 357 7%	16'	11 fc	12.4'	3 fc	128 FC per W/Sq. Ft.					
	80°	0° - 90° 4493 93%	20'	7 fc	15.6'	2 fc	107 FC per W/Sq. Ft.					
	100°	90° - 180° 359 7%	24'	5 fc	18.7'	1 fc	3' Suspension Length to luminous aperture Square rooms used for multiple units: RCR 1: Length & Width = Ceiling Ht. - 5.5' x 10.00 RCR 3: Length & Width = Ceiling Ht. - 5.5' x 3.33 * Average Footcandles at 2.5' Above Floor					
	120°	Total 4852 100%	28'	4 fc	21.8'	1 fc						
	140°											
	160°											
	180°											

Delivered Lumens: 4852
Luminaire Watts: 39
LER: 124.41

CP at 0° (Nadir): 2838
CRI: 83

Beam Angle: 76°
Spacing Ratio: 1.25

Lumen Multiplier: 15L x 0.27, 27L x 0.46, 37L x 0.68
CCT Multiplier: 27K x 0.97, 30K x 0.99, 40K x 1.03
50K x 1.06



12" PRISMATIC

EXT SERIES / PHOTOMETRIC DATA



PRxxx12GV 55L 35K XX PR12 DR12A DL MW

CANDLEPOWER CURVE TEST SP-00456_30	INTENSITY CANDELA 0° AZIMUTH	ZONAL LUMENS	SINGLE UNIT: PERFORMANCE DIRECT FOOTCANDLES BASED ON DOWNLIGHT ONLY				MULTIPLE UNITS: PERFORMANCE 80/50/20% REFLECTANCES INITIAL FOOTCANDLES AND WATTS PER SQUARE FOOT							
			Mounting Height AFF	FC at Center on Floor	Beam Diameter	FC at Beam Edge	Ceiling Height	Fixture Spacing	RCR 1		RCR 3			
	0°	0° - 10°	228	5%	8'	37 fc	6.7'	8 fc	18'	9'	51	0.42	36	0.36
	0°	0° - 30°	2009	44%	10'	24 fc	8.4'	5 fc	22'	11'	39	0.32	32	0.32
	20°	0° - 60°	3951	87%	12'	16 fc	10.1'	4 fc	26'	13'	25	0.21	21	0.21
	40°	90° - 120°	223	5%	14'	12 fc	11.7'	3 fc	Delivered Illuminance Rating: (DIR) 120 FC per W/Sq. Ft. 99 FC per W/Sq. Ft.					
	60°	90° - 150°	368	8%	16'	9 fc	13.4'	2 fc	3' Suspension Length to luminous aperture Square rooms used for multiple units: RCR 1: Length & Width = Ceiling Ht. - 5.5' x 10.00 RCR 3: Length & Width = Ceiling Ht. - 5.5' x 3.33 * Average Footcandles at 2.5' Above Floor					
	80°	0° - 90°	4192	92%	20'	6 fc	16.8'	1 fc						
	90°	90° - 180°	370	8%	24'	4 fc	20.1'	1 fc						
	100°	0° - 90°	4192	92%	28'	3 fc	23.5'	1 fc						
	120°	90° - 180°	370	8%										
	140°	0° - 90°	4192	92%										
	160°	90° - 180°	370	8%										
	180°	Total	4562	100%										

Delivered Lumens: 4562
Luminaire Watts: 39
LER: 116.97

CP at 0° (Nadir): 2352
CRI: 83

Beam Angle: 80°
Spacing Ratio: 1.32

Lumen Multiplier: 15L x 0.27, 27L x 0.46, 37L x 0.68
CCT Multiplier: 27K x 0.97, 30K x 0.99, 40K x 1.03
50K x 1.06

PRxxx12GV 55L 35K XX PR12 DR12A FO MW

CANDLEPOWER CURVE TEST SP-00456_31	INTENSITY CANDELA 0° AZIMUTH	ZONAL LUMENS	SINGLE UNIT: PERFORMANCE DIRECT FOOTCANDLES BASED ON DOWNLIGHT ONLY				MULTIPLE UNITS: PERFORMANCE 80/50/20% REFLECTANCES INITIAL FOOTCANDLES AND WATTS PER SQUARE FOOT							
			Mounting Height AFF	FC at Center on Floor	Beam Diameter	FC at Beam Edge	Ceiling Height	Fixture Spacing	RCR 1		RCR 3			
	0°	0° - 10°	119	3%	8'	19 fc	13.1'	1 fc	18'	9'	53	0.49	30	0.36
	0°	0° - 30°	941	21%	10'	12 fc	16.3'	1 fc	22'	11'	35	0.32	27	0.32
	20°	0° - 60°	2827	63%	12'	9 fc	19.6'	1 fc	26'	13'	23	0.21	17	0.21
	40°	90° - 120°	438	10%	14'	6 fc	22.9'	0 fc	Delivered Illuminance Rating: (DIR) 109 FC per W/Sq. Ft. 83 FC per W/Sq. Ft.					
	60°	90° - 150°	805	18%	16'	5 fc	26.1'	0 fc	3' Suspension Length to luminous aperture Square rooms used for multiple units: RCR 1: Length & Width = Ceiling Ht. - 5.5' x 10.00 RCR 3: Length & Width = Ceiling Ht. - 5.5' x 3.33 * Average Footcandles at 2.5' Above Floor					
	80°	0° - 90°	3691	82%	20'	3 fc	32.7'	0 fc						
	90°	90° - 180°	807	18%	24'	2 fc	39.2'	0 fc						
	100°	0° - 90°	3691	82%	28'	2 fc	45.7'	0 fc						
	120°	90° - 180°	807	18%										
	140°	0° - 90°	3691	82%										
	160°	90° - 180°	807	18%										
	180°	Total	4498	100%										

Delivered Lumens: 4498
Luminaire Watts: 39
LER: 115.33

CP at 0° (Nadir): 1242
CRI: 83

Beam Angle: 117°
Spacing Ratio: 1.20

Lumen Multiplier: 15L x 0.27, 27L x 0.46, 37L x 0.68
CCT Multiplier: 27K x 0.97, 30K x 0.99, 40K x 1.03
50K x 1.06

PRxxx12GV 55L 35K XX PR12 DR12A PP MW

CANDLEPOWER CURVE TEST SP-00456_33	INTENSITY CANDELA 0° AZIMUTH	ZONAL LUMENS	SINGLE UNIT: PERFORMANCE DIRECT FOOTCANDLES BASED ON DOWNLIGHT ONLY				MULTIPLE UNITS: PERFORMANCE 80/50/20% REFLECTANCES INITIAL FOOTCANDLES AND WATTS PER SQUARE FOOT							
			Mounting Height AFF	FC at Center on Floor	Beam Diameter	FC at Beam Edge	Ceiling Height	Fixture Spacing	RCR 1		RCR 3			
	0°	0° - 10°	395	9%	8'	68 fc	3.7'	25 fc	18'	9'	58	0.49	55	0.56
	0°	0° - 30°	2298	50%	10'	43 fc	4.6'	16 fc	22'	11'	38	0.32	32	0.32
	20°	0° - 60°	3589	78%	12'	30 fc	5.5'	11 fc	26'	13'	28	0.24	20	0.21
	40°	90° - 120°	290	6%	14'	22 fc	6.5'	8 fc	Delivered Illuminance Rating: (DIR) 118 FC per W/Sq. Ft. 98 FC per W/Sq. Ft.					
	60°	90° - 150°	524	11%	16'	17 fc	7.4'	6 fc	3' Suspension Length to luminous aperture Square rooms used for multiple units: RCR 1: Length & Width = Ceiling Ht. - 5.5' x 10.00 RCR 3: Length & Width = Ceiling Ht. - 5.5' x 3.33 * Average Footcandles at 2.5' Above Floor					
	80°	0° - 90°	4052	89%	20'	11 fc	9.2'	4 fc						
	90°	90° - 180°	526	11%	24'	8 fc	11.1'	3 fc						
	100°	0° - 90°	4052	89%	28'	6 fc	12.9'	2 fc						
	120°	90° - 180°	526	11%										
	140°	0° - 90°	4052	89%										
	160°	90° - 180°	526	11%										
	180°	Total	4578	100%										

Delivered Lumens: 4578
Luminaire Watts: 39
LER: 117.38

CP at 0° (Nadir): 4331
CRI: 83

Beam Angle: 50°
Spacing Ratio: 0.76

Lumen Multiplier: 15L x 0.27, 27L x 0.46, 37L x 0.68
CCT Multiplier: 27K x 0.97, 30K x 0.99, 40K x 1.03
50K x 1.06



12" PRISMATIC

EXT SERIES / PHOTOMETRIC DATA



PRxxx12GV 55L 35K XX PR12 DR12A PC MW

CANDLEPOWER CURVE TEST SP-00456_32	INTENSITY CANDELA 0° AZIMUTH	ZONAL LUMENS	SINGLE UNIT: PERFORMANCE DIRECT FOOTCANDLES BASED ON DOWNLIGHT ONLY				MULTIPLE UNITS: PERFORMANCE 80/50/20% REFLECTANCES INITIAL FOOTCANDLES AND WATTS PER SQUARE FOOT												
			Mounting Height AFF	FC at Center on Floor	Beam Diameter	FC at Beam Edge	Ceiling Height	Fixture Spacing	RCR 1		RCR 3								
	0°		0° - 10°	502	11%														
	0°	5512	0° - 30°	2880	63%														
	20°	3182	0° - 60°	4122	90%	8'	86 fc	3.9'	31 fc	18'	9'	60	0.49	59	0.56				
	40°	510	90° - 120°	135	3%	10'	55 fc	4.8'	20 fc	22'	11'	39	0.32	34	0.32				
	60°	127	90° - 150°	225	5%	12'	38 fc	5.8'	14 fc	26'	13'	29	0.24	22	0.21				
	80°	49	0° - 90°	4333	95%	14'	28 fc	6.8'	10 fc	Delivered Illuminance Rating: (DIR)		123 FC per W/Sq. Ft.		105 FC per W/Sq. Ft.					
	90°	26				16'	22 fc	7.7'	8 fc	3' Suspension Length to luminous aperture Square rooms used for multiple units: RCR 1: Length & Width = Ceiling Ht. - 5.5' x 10.00 RCR 3: Length & Width = Ceiling Ht. - 5.5' x 3.33 * Average Footcandles at 2.5' Above Floor * Exceeds Spacing Ratio by 4%									
	100°	43	90° - 180°	227	5%	20'	14 fc	9.7'	5 fc										
	120°	56				24'	10 fc	11.6'	3 fc										
	140°	27				28'	7 fc	13.5'	3 fc										
	160°	3	Total	4560	100%														
	180°	2																	

Delivered Lumens: 4560
Luminaire Watts: 39
LER: 116.92

CP at 0° (Nadir): 5512
CRI: 83

Beam Angle: 52°
Spacing Ratio: 0.69

Lumen Multiplier: 15L x 0.27, 27L x 0.46, 37L x 0.68
CCT Multiplier: 27K x 0.97, 30K x 0.99, 40K x 1.03
50K x 1.06

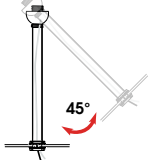

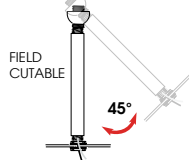
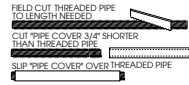

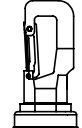


MOUNTING & ACCESSORIES

SOME OPTIONS NOT AVAILABLE ON ALL FIXTURES. CONSULT SPECIFICATION SHEETS. SEE INDIVIDUAL SPECIFICATION SHEETS OR CONSULT FACTORY FOR ADDITIONAL INFORMATION. NOTE: THIS IS TYPICAL OF LUMEN MAX SPECIFICATION FOR PENDANT MOUNTING. INDIVIDUAL FIXTURES OR PROJECTS MAY HAVE SPECIALIZED REQUIREMENTS.



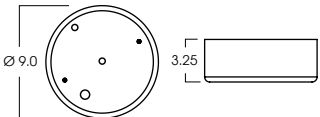
MOUNTING TYPES

<p>HM* HANG STRAIGHT 45° SWIVEL 5/8" OD STEM - 3/8" IP</p>  <p>ORDER: HM (Length) SPECIFY LENGTH: HM3 - 3" HM24 - 24" HM6 - 6" HM36 - 36" HM12 - 12" HM48 - 48" HM18 - 18" HM72 - 72" HMLC(XX) Custom Length (Specify in Inches)</p>	<p>PM* RIGID PENDANT MOUNT RIGID 5/8" OD STEM - 3/8" IP</p>  <p>ORDER: PM (Length) SPECIFY LENGTH: PM3 - 3" PM24 - 24" PM6 - 6" PM36 - 36" PM12 - 12" PM48 - 48" PM18 - 18" PM72 - 72" PMLC(XX) Custom Length (Specify in Inches)</p>	<p>AT** HANG STRAIGHT ALL THREAD 45° SWIVEL 5/8" OD STEM - 1/4" IP</p>  <p>ORDER: AT (Length) SPECIFY LENGTH: AT12 - 12" AT24 - 24" AT36 - 36"</p> 	<p>CD CORD / CABLE MOUNT SJ CORD WITH 1/16 SS CABLE</p>  <p>ORDER: CD (Length) SPECIFY LENGTH: CD36 - 36" CD72 - 72" CD144 - 144" CDLC(XX) Custom Length (Specify in Inches)</p>	<p>HC HOOK & CORD FOR INDEPENDENT MOUNTING</p>  <p>ORDER: HC</p>
--	---	--	---	---

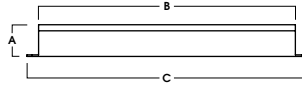
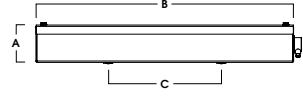
*MAXIMUM ONE PIECE STEM LENGTH IS 72". **MAXIMUM ONE PIECE STEM LENGTH IS 36". LONGER LENGTHS ARE POSSIBLE USING MULTIPLE STEMS AND COUPLERS.

EMERGENCY BATTERY OPTIONS

EMCR - LARGE DRIVER CANOPY FOR 10W EMERGENCY BATTERY



REMOTE EMERGENCY BATTERY OPTIONS

<p>EMRM* - 7W REMOTE EMERGENCY BATTERY (50' MAX)</p>  <table border="1"> <thead> <tr> <th>A</th> <th>B</th> <th>C</th> </tr> </thead> <tbody> <tr> <td>1.3</td> <td>12.6</td> <td>13.0</td> </tr> </tbody> </table>	A	B	C	1.3	12.6	13.0	<p>EMEN* - 7W REMOTE EMERGENCY BATTERY WITH ENCLOSURE (50' MAX)</p>  <table border="1"> <thead> <tr> <th>A</th> <th>B</th> <th>C</th> </tr> </thead> <tbody> <tr> <td>2.0</td> <td>17.0</td> <td>6.2</td> </tr> </tbody> </table>	A	B	C	2.0	17.0	6.2
A	B	C											
1.3	12.6	13.0											
A	B	C											
2.0	17.0	6.2											

*OTHER EM BATTERY SIZES AVAILABLE. CONSULT FACTORY

ADDITIONS


FS - FUSING

Slow blow type fuse protects fixture against voltage surges. Factory installed.



LSP10 - SM - SURGE PROTECTOR

Surge protector absorbs transient electrical spikes and protects fixtures and electronics 120/277v. Re-sets after surge. Factory Installed.



SAFETY CABLE OPTIONS

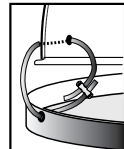
SC1 - SAFETY CABLE

1/16" stainless steel safety cable for added support. Standard kit is 18" and double barrel locks are provided. Approved for California seismic requirements. Rated at 50 lbs.



SC2 - SAFETY CABLE

1/16" Stainless steel cable holds door to fixture




COLOR OPTIONS - POWDER COAT PAINT FINISHES

NOTE: NO PRINTED IMAGE CAN EQUAL THE EXACT COLOR OF FINISH ON METAL.
SEE INDIVIDUAL SPECIFICATION SHEETS OR CONSULT FACTORY FOR ADDITIONAL INFORMATION.



STANDARD CORD / STEM / CANOPY FINISHES

FIXTURE COLOR	STANDARD CORD COLOR	STANDARD CANOPY / STEM COLOR
Matte White, Textured White	Matte White	Matte White
Gloss White	Matte White	Gloss White
Matte Black, Gloss Black, Textured Black	Matte Black	Matte Black
All Others	Matte Black	Same Color as Fixture
Custom Color	Contact Factory	Contact Factory

PAINT TIMES

TIER	COST	AVERAGE PAINT TIME*
Tier 1 - Standard Finishes	\$	⓪
Tier 2 - Typical Finishes	\$\$	⓪⓪
Custom Color	Contact Factory	Contact Factory

*CONTACT FACTORY FOR SPECIFIC PRODUCT LEAD TIMES

TIER 1 - STANDARD FINISHES



TIER 2 - TYPICAL FINISHES



CUSTOM COLOR FINISHES

CONTACT FACTORY

CC
Custom Color



*UNAVAILABLE FOR WET LOCATION

