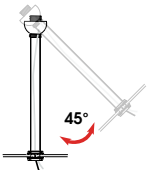
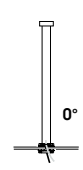
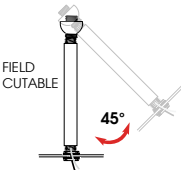
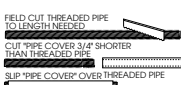

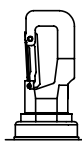


MOUNTING & ACCESSORIES

SOME OPTIONS NOT AVAILABLE ON ALL FIXTURES, CONSULT SPECIFICATION SHEETS. SEE INDIVIDUAL SPECIFICATION SHEETS OR CONSULT FACTORY FOR ADDITIONAL INFORMATION. NOTE: THIS IS TYPICAL OF LUMEN MAX SPECIFICATION FOR PENDANT MOUNTING. INDIVIDUAL FIXTURES OR PROJECTS MAY HAVE SPECIALIZED REQUIREMENTS.



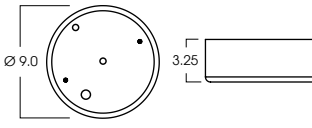
MOUNTING TYPES

<p>HM* HANG STRAIGHT 45° SWIVEL 5/8" OD STEM - 3/8" IP</p>  <p>ORDER: HM (Length) SPECIFY LENGTH: HM3 - 3" HM24 - 24" HM6 - 6" HM36 - 36" HM12 - 12" HM48 - 48" HM18 - 18" HM72 - 72" HMLC(XX) Custom Length (Specify in Inches)</p>	<p>PM* RIGID PENDANT MOUNT RIGID 5/8" OD STEM - 3/8" IP</p>  <p>ORDER: PM (Length) SPECIFY LENGTH: PM3 - 3" PM24 - 24" PM6 - 6" PM36 - 36" PM12 - 12" PM48 - 48" PM18 - 18" PM72 - 72" PMLC(XX) Custom Length (Specify in Inches)</p>	<p>AT** HANG STRAIGHT ALL THREAD 45° SWIVEL 5/8" OD STEM - 1/4" IP</p>  <p>ORDER: AT (Length) SPECIFY LENGTH: AT12 - 12" AT24 - 24" AT36 - 36"</p> 	<p>CD CORD / CABLE MOUNT SJ CORD WITH 1/16 SS CABLE</p>  <p>ORDER: CD (Length) SPECIFY LENGTH: CD36 - 36" CD72 - 72" CD144 - 144" CDLC(XX) Custom Length (Specify in Inches)</p>	<p>HC HOOK & CORD FOR INDEPENDENT MOUNTING</p>  <p>ORDER: HC</p>
--	---	--	---	---

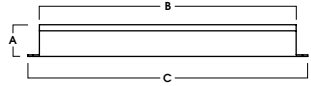
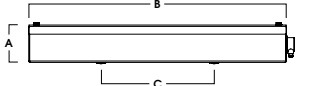
*MAXIMUM ONE PIECE STEM LENGTH IS 72". **MAXIMUM ONE PIECE STEM LENGTH IS 36". LONGER LENGTHS ARE POSSIBLE USING MULTIPLE STEMS AND COUPLERS.

EMERGENCY BATTERY OPTIONS

EMCR - LARGE DRIVER CANOPY FOR 10W EMERGENCY BATTERY



REMOTE EMERGENCY BATTERY OPTIONS

<p>EMRM* - 7W REMOTE EMERGENCY BATTERY (50" MAX)</p>  <table border="1"> <thead> <tr> <th>A</th> <th>B</th> <th>C</th> </tr> </thead> <tbody> <tr> <td>1.3</td> <td>12.6</td> <td>13.0</td> </tr> </tbody> </table>	A	B	C	1.3	12.6	13.0	<p>EMEN* - 7W REMOTE EMERGENCY BATTERY WITH ENCLOSURE (50" MAX)</p>  <table border="1"> <thead> <tr> <th>A</th> <th>B</th> <th>C</th> </tr> </thead> <tbody> <tr> <td>2.0</td> <td>17.0</td> <td>6.2</td> </tr> </tbody> </table>	A	B	C	2.0	17.0	6.2
A	B	C											
1.3	12.6	13.0											
A	B	C											
2.0	17.0	6.2											

*OTHER EM BATTERY SIZES AVAILABLE, CONSULT FACTORY

ADDITIONS


FS - FUSING

Slow blow type fuse protects fixture against voltage surges. Factory installed.



LSP10 - SM - SURGE PROTECTOR

Surge protector absorbs transient electrical spikes and protects fixtures and electronics 120/277v. Re-sets after surge. Factory Installed.



SAFETY CABLE OPTIONS

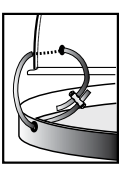
SC1 - SAFETY CABLE

1/16" stainless steel safety cable for added support. Standard kit is 18" and double barrel locks are provided. Approved for California seismic requirements. Rated at 50 lbs.



SC2 - SAFETY CABLE

1/16" Stainless steel cable holds door to fixture



REFRACTOR, GUARD AND LENS OPTIONS

SOME OPTIONS NOT AVAILABLE ON ALL FIXTURES, CONSULT SPECIFICATION SHEETS. SEE INDIVIDUAL SPECIFICATION SHEETS OR CONSULT FACTORY FOR ADDITIONAL INFORMATION.

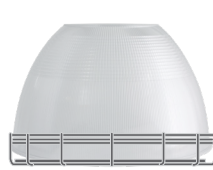
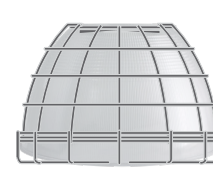



REFRACTOR OPTIONS

<p>DF - DIFFUSE PRISMATIC ACRYLIC REFRACTOR</p> 	<p>PR - CLEAR PRISMATIC ACRYLIC REFRACTOR</p> 	<p>OP - OPAL WHITE ACRYLIC REFRACTOR</p> 	<p>AL - ALUMINUM REFLECTOR</p> 						
<p>POLY: Polycarbonate Refractor Option Available. Specify As: PR (12", 16", 22") POLY</p>									
<p>COLOR: Color Refractor Options Available. Specify As: PR (12", 16", 22") (COLOR)</p>									
<p>GRANITE</p> 	<p>METALIZED</p> 	<p>AMBER</p> 	<p>RED</p> 	<p>GREEN</p> 	<p>BLUE</p> 	<p>PEARL</p> 	<p>PEARL GREEN</p> 	<p>PEARL BLUE</p> 	<p>PEARL PINK</p> 















REFRACTOR OPTIONS

We offer traditional Flat Wire Guards (**WAG**), Half-Fixture Wire Guards (**HWG**) and Reflector Shields (**RS**). LED Fixtures typically do not require wireguards.

<p>FACE WIRE GUARDS (WAG 12", 16", 22") Guard Covers opening of reflector. May be combined with flat lenses OA, FO, PC, PP. Chrome Plated #14 ga wire.</p> 	<p>HALF WIRE GUARD (HWG 12", 16", 22") Covers and protects opening of reflector and exterior. Chrome plated #14 ga wire.</p> 	<p>REFLECTOR SHIELD (RS 12", 16", 22") Reflector Shield used on PR refractor minimizes side light output while allowing up light (30%) Finished to match fixture.</p> 
---	--	---

DIFFUSER OPTIONS

Spectrum offers several lens options for visual comfort, light distribution and interior protection. 2 lens retaining options: **BAND CLAMP: (BC12, BC16, BC22)** and **DOOR: (DR12, DR16, DR22)**

<p>CNFR - CONICAL FROSTED LENS (Distributes light horizontally with light etch to diffuse output.)</p>  <p>BC (12", 16", 22") CNFR</p>  <p>DR (12", 16", 22") CNFR</p>	<p>CN - CONICAL LENS (Distributes light horizontally with clear spread pattern for maximum efficiency.)</p>  <p>BC (12", 16", 22") CN</p>  <p>DR (12", 16", 22") CN</p>
<p>DL - DROP LENS (Drop Prismatic Lens for maximum brightness and widest distribution.)</p>  <p>BC (16", 22") DL</p>  <p>DR (16", 22") DL</p>	<p>FO - FLAT OPTICAL (Matte White Optical Lens for LED. No LED image for maximum efficiency.)</p>  <p>BC (12", 16", 22") FO</p>  <p>DR (12", 16", 22") FO</p>
<p>PP - PRISMATIC POLYCARBONATE (Classic Prismatic Poly Lens.)</p>  <p>BC (12", 16", 22") PP</p>  <p>DR (12", 16", 22") PP</p>	<p>PC - CLEAR POLYCARBONATE (Primarily used as safety overlay for FO, PP, OA lens.)</p>  <p>BC (12", 16", 22") PC</p>  <p>DR (12", 16", 22") PP</p>
<p>OA - OPAL ACRYLIC (Matte White Acrylic Lens.)</p>  <p>BC (12", 16", 22") OA</p>  <p>DR (12", 16", 22") OA</p>	<p>SC2 - SAFETY CABLE (Optional 1/16" Stainless steel cable holds door to fixture.)</p> 