



A S O 1



1" RECESSED SERIES
ROUND AND SQUARE APERTURE 90 CRI

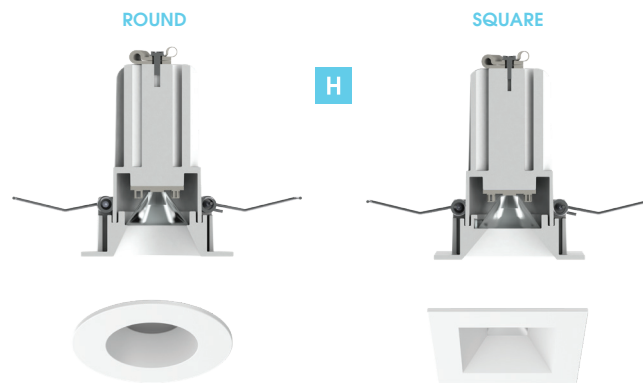
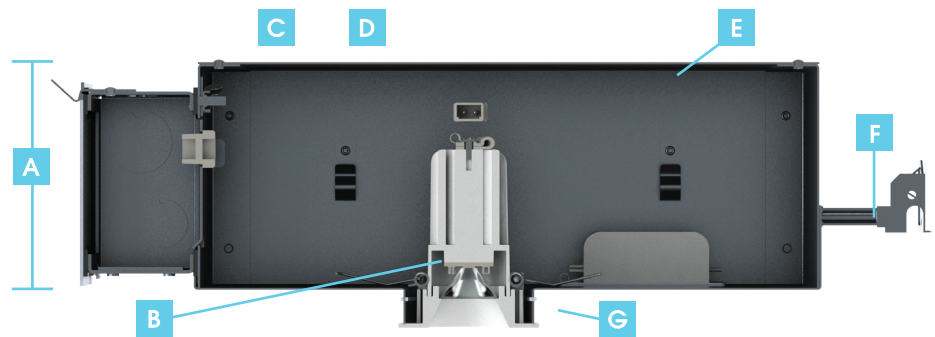
REASONS TO SPECIFY



The A Spec 1" Series (AS01) is designed for residential, hospitality, office interiors and other projects where a clean, high performance, visually comfortable, small aperture downlight is required.

KEY FEATURES

- A** SHALLOW PLENUM DEPTH
- B** VISUALLY COMFORTABLE OPTICAL DESIGN
- C** EASY ACCESS TO DRIVER & LED FOR MAINTENANCE
- D** 0-10V 5% DIMMING
- E** OPTIONAL INSULATED CEILING OR REMODEL FIXTURES
- F** ADJUSTABLE BAR HANGERS FOR GRID OR DRYWALL
- G** INTEGRAL PLASTER RING
- H** ONE FRAME AVAILABLE WITH ROUND AND SQUARE DOWNLIGHT TRIM OPTION



LUMENS AND WATTAGE DATA					
PART NUMBER	LUMENS	SOURCE LUMENS	DELIVERED LUMENS	SYSTEM WATTS	LPW
AS01RDF	004	400	328	6.2	52
AS01RDF	007 ¹	700	574	9.7	59
AS01SQ	004	400	294	6.2	47
AS01SQ	007 ¹	700	514	9.7	53

FINISHES

At Spectrum Lighting we recognize the importance of visual comfort and for that reason the A Spec 1" Series is designed with a deep primary optical reflector to focus light and reduce visual imaging. It also features a low sheen matte finish die cast aluminum trim. The finish colors we offer blend into a variety of applications and interiors. All finish operations are performed in house with care on our state-of-the-art powder coating line.

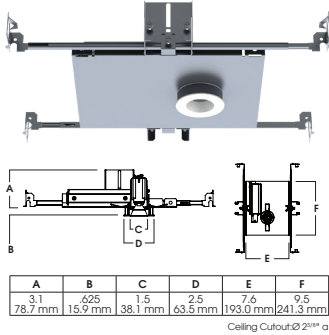
TRIM FINISH OPTIONS



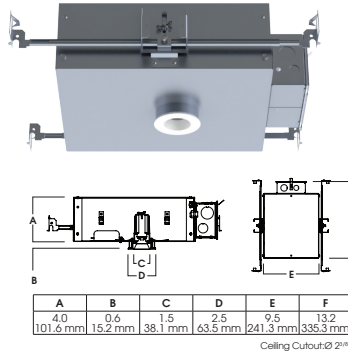
1" ROUND & SQUARE

ROUND HOUSING TYPES

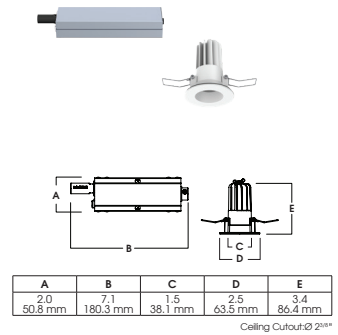
AS01RDF NC - New Construction



AS01RDF IC - IC New Construction

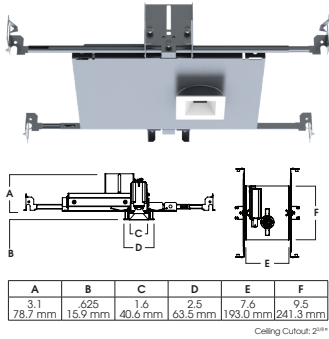


AS01RDF RT - Remodel Construction

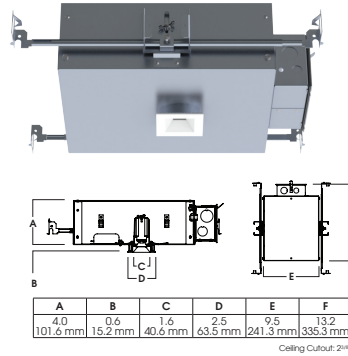


SQUARE HOUSING TYPES

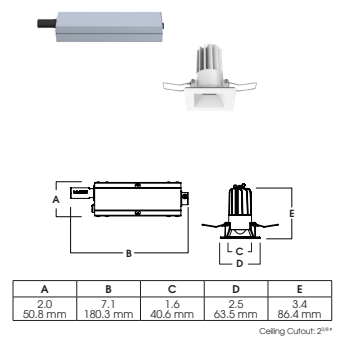
AS01SQF NC - New Construction



AS01SQF IC - IC New Construction



AS01SQF RT - Remodel Construction



ORDERING

1. SELECT HOUSING TYPE

ROUND

- AS01RDF NC - New Construction
- AS01RDF IC - IC New Construction
- AS01RDF RT - Remodel Construction

SQUARE

- AS01SQF NC - New Construction
- AS01SQF IC - IC New Construction
- AS01SQF RT - Remodel Construction

2. SELECT CRI/CCT & LUMENS

CRI/CCT

- 927 - 90 CRI / 2700K
- 930 - 90 CRI / 3000K
- 935 - 90 CRI / 3500K
- 940 - 90 CRI / 4000K

LUMENS

- 004 - 400 Lm
- 007 - 700 Lm (N/A for IC New Construction)

3. SELECT DIMMING & MOUNTING

DIMMING

- D4(1/2) - 5%, 0-10V

MOUNTING

- B1 - Expandable Bar Hangers (NC / IC Only)
- B0 - No Bar Hangers (RT Only)

4. SELECT TRIM TYPE & TRIM OPTIONS

TRIM TYPE

- DL - Downlight

BEAM

- SP - Spot
- NF - Narrow Flood
- FL - Flood

FINISH

- MW / MB / PT - Matte White / Matte Black / Platinum Silver (More Colors Available)
- CC - Custom Color

FLANGE FINISH

- MF - Matching Flange
- WF - White Flange (Use w/ Non-White Trim Finish)

ORDER EXAMPLE

AS01RDFNC930007 / D41B1 / DLNFMW/MF

HOUSING HOUSING OPTIONS TRIM OPTIONS

BEAMS

SPOT



ROUND - 19°
SQUARE - 23°

NARROW FLOOD



ROUND - 26°
SQUARE - 27°

FLOOD



ROUND - 39°
SQUARE - 34°

PROUDLY MADE IN THE U.S.A.

At Spectrum Lighting we understand the importance of meeting budgets, quality and delivery of lighting fixtures on your projects. To achieve these important requirements, Spectrum Lighting is proud to design and manufacture all fixtures in our 250,000 square foot Massachusetts factory. This allows us to control production volume, speed, cost and quality right here in the USA. We work on both large and small projects and treats each job with the same level of care.

PROCESS CONTROL

- All fixtures as well as most major components are manufactured in house.
- State of the art equipment, like our new fiber laser.
- Time honored metalworking skills: metal spinning, machining and welding.

VISUAL COMFORT

We constantly survey the market for the best quality LEDs, electronics, optics, controls and other materials. We bring you these materials in visually comfortable, uniquely designed, easy to maintain lighting fixtures.

GREATEST RESOURCE

Our greatest resource is our people. Our team works together to grow the company and help our customers. We are here to serve you with technical information, customer service and warranty support.

DELIVERY TO EXPECTATIONS

The final result is a project we all can be proud of that will deliver years of trouble free, quality illumination.

Attention to detail.
Precision crafted quality.
Personal service with every order.



994 JEFFERSON STREET, FALL RIVER, MA 02721
SPECLIGHT.COM • 508.678.2303 FAX 508.678.2260

