



1MR SHOWN

12" GLASS TECH SERIES



GPX12GV

APPLICATION

Lumen Max GV Series cast refractive performance pendant for low and mid-bay applications. Solid cast glass refractor provides horizontal and vertical distribution. Decorative support arms and lower parts add visual appeal.

FEATURES

Extruded Fixture Housing (EXT) features a clean and modern design. Single-stage optical system for smooth light distribution. 80 CRI minimum. Consult factory for high CRI or special applications. LED module and driver designed for ease of maintenance and replacement. Posi-lock refractor retention ring will absorb shocks and impact. Optional safety cable. Variety of optical lenses and mounting methods.

FINISH

Multi-stage polyester powder-coat process applied on our dedicated paint lines. A wide variety of standard and custom finishes are available. All exposed materials are chromate pretreated to resist corrosion.

ELECTRONICS

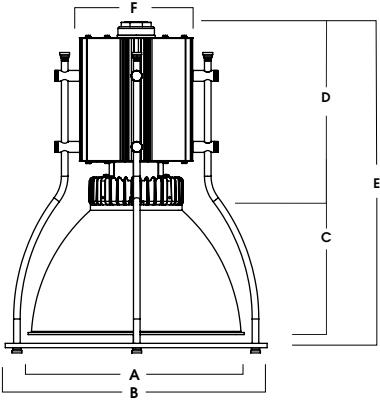
GV LED system features high brightness white Samsung LED's. 3-step MacAdam Ellipse binning. Standard CRI: 80+. Higher CRI, R9 and custom LED configurations are available, consult factory.

CONSTRUCTION

Extruded and machined 6063-T5 aluminum housing. Graphite gasket for optimal thermal management. Die-cast aluminum heat sink. Refractor made of cast glass.

CODE COMPLIANCE

BAA compliant. ETL certified to meet US and Canadian standards. Suitable for dry or damp locations. Manufactured and tested to UL standards No. 1598/8750.



A	B	C	D	E	F
12.4	15.0	7.4	10.5	18.7	6.5
315.0 mm	381.0 mm	188.0 mm	266.7 mm	475.0 mm	165.1 mm

Fixture Weight: 18.26 lbs

LUMENS / WATTAGE DATA		
PART NUMBER	SOURCE LUMENS ¹	SYSTEM WATTS
GPX12GV15L	1500	10
GPX12GV27L	2700	18
GPX12GV37L	3700	26
GPX12GV55L	5500	39

SERIES	LUMENS ¹	CCT	DRIVER / DIMMING ²	OPTIONS ³	MOUNTING ⁴	REFRACTOR	TIER OPTIONS	FINISH ¹¹		
GPX12GV	15L 1500 Lm	27K 2700K	EX Electronic Driver, 120V/277V DS10X 10% 0-10V, 120V/277V DO10X 1% 0-10V, 120V/277V	FS Fusing E347 347V Driver SC1 Safety Cable	HM ⁵ Hang Straight AT ⁶ Hang Straight All Thread PM ⁵ Rigid Pendant CD ⁵ Cord / Cable Mount HC ^{5/6/7} Hook & Cord NM2 ^{6/7/8} 1/2" NPT Hub NM3 ^{6/7/8} 3/4" NPT Hub	GPX12 12" Glass	CFG Center Frosted Glass Tier FGR Frosted Glass Ring 1MR ⁹ Single Metal Ring	MW ¹² Matte White MB ¹² Matte Black PT ¹² Platinum Silver CC Custom Color		
	27L 2700 Lm	30K 3000K							EMERGENCY BATTERY OPTIONS EMCR 10W Canopy Mounted EM EMRM 7W Remote EM EMEN 7W Remote with Enclosure	TIER COLOR OPTIONS FC ¹⁰ Fixture Color MW Matte White MB Matte Black PT Platinum Silver SN Sun Gold EG Evergreen RD Red Baron
	37L 3700 Lm	35K 3500K								
	55L 5500 Lm	40K 4000K 50K 5000K								

EXAMPLE: GPX12GV15L27KEX/HM36/GPX12/CFG/PT

NOTES:
 1 Nominal Source Lumens at 35K 2 Contact Factory for Additional Options 3 See Product Options Page for Details 4 See Mounting Page for Details on Components and Finishes 5 Specify Length in Inches: See Mounting Page for Available Lengths 6 Mounting Supplied by Others 7 Not Available with EMCR 8 12" Leads Unless Specified 9 Same Finish as Housing 10 Tier to Match Fixture if Finish Not Specified 11 See Color Page for More Options / Consult Factory for Special Finishes 12 Standard Finishes



PROJECT: _____
 QUANTITY: _____ TYPE: _____



12" GLASS

TECH SERIES / FIXTURE OPTIONS



STANDARD FINISHES

MW
MATTE WHITE



MB
MATTE BLACK



PT
PLATINUM SILVER



DECO-TIER OPTIONS

1MR
SINGLE METAL RING



CFG
CENTERED FROSTED GLASS

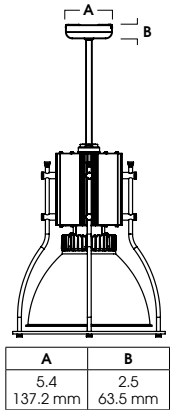


FGR
FROSTED GLASS RING

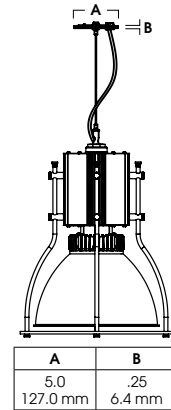


MOUNTING TYPES

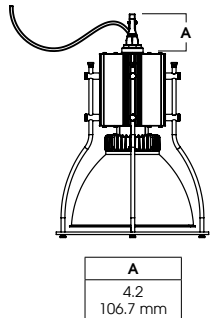
HM / AT / PM
HANG STRAIGHT / ALL THREAD / PENDANT



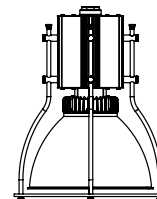
CD
CORD / CABLE MOUNT



HC
HOOK CORD



NM
NO MOUNT

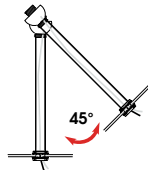
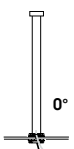
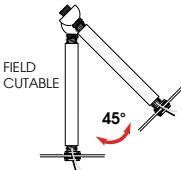
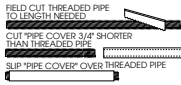

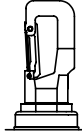


MOUNTING & ACCESSORIES

SOME OPTIONS NOT AVAILABLE ON ALL FIXTURES, CONSULT SPECIFICATION SHEETS. SEE INDIVIDUAL SPECIFICATION SHEETS OR CONSULT FACTORY FOR ADDITIONAL INFORMATION. NOTE: THIS IS TYPICAL OF LUMEN MAX SPECIFICATION FOR PENDANT MOUNTING. INDIVIDUAL FIXTURES OR PROJECTS MAY HAVE SPECIALIZED REQUIREMENTS.



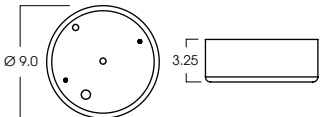
MOUNTING TYPES

<p>HM* HANG STRAIGHT 45° SWIVEL 5/8" OD STEM - 3/8" IP</p>  <p>ORDER: HM (Length) SPECIFY LENGTH: HM3 - 3" HM24 - 24" HM6 - 6" HM36 - 36" HM12 - 12" HM48 - 48" HM18 - 18" HM72 - 72" HMLC(XX) Custom Length (Specify in Inches)</p>	<p>PM* RIGID PENDANT MOUNT RIGID 5/8" OD STEM - 3/8" IP</p>  <p>ORDER: PM (Length) SPECIFY LENGTH: PM3 - 3" PM24 - 24" PM6 - 6" PM36 - 36" PM12 - 12" PM48 - 48" PM18 - 18" PM72 - 72" PMLC(XX) Custom Length (Specify in Inches)</p>	<p>AT** HANG STRAIGHT ALL THREAD 45° SWIVEL 5/8" OD STEM - 1/4" IP</p>  <p>ORDER: AT (Length) SPECIFY LENGTH: AT12 - 12" AT24 - 24" AT36 - 36"</p> 	<p>CD CORD / CABLE MOUNT SJ CORD WITH 1/16 SS CABLE</p>  <p>ORDER: CD (Length) SPECIFY LENGTH: CD36 - 36" CD72 - 72" CD144 - 144" CDLC(XX) Custom Length (Specify in Inches)</p>	<p>HC HOOK & CORD FOR INDEPENDENT MOUNTING</p>  <p>ORDER: HC</p>
--	---	--	---	---

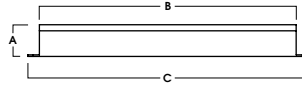
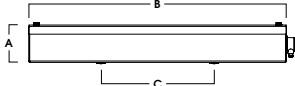
*MAXIMUM ONE PIECE STEM LENGTH IS 72". **MAXIMUM ONE PIECE STEM LENGTH IS 36". LONGER LENGTHS ARE POSSIBLE USING MULTIPLE STEMS AND COUPLERS.

EMERGENCY BATTERY OPTIONS

EMCR - LARGE DRIVER CANOPY FOR 10W EMERGENCY BATTERY



REMOTE EMERGENCY BATTERY OPTIONS

<p>EMRM* - 7W REMOTE EMERGENCY BATTERY (50' MAX)</p>  <table border="1"> <thead> <tr> <th>A</th> <th>B</th> <th>C</th> </tr> </thead> <tbody> <tr> <td>1.3</td> <td>12.6</td> <td>13.0</td> </tr> </tbody> </table>	A	B	C	1.3	12.6	13.0	<p>EMEN* - 7W REMOTE EMERGENCY BATTERY WITH ENCLOSURE (50' MAX)</p>  <table border="1"> <thead> <tr> <th>A</th> <th>B</th> <th>C</th> </tr> </thead> <tbody> <tr> <td>2.0</td> <td>17.0</td> <td>6.2</td> </tr> </tbody> </table>	A	B	C	2.0	17.0	6.2
A	B	C											
1.3	12.6	13.0											
A	B	C											
2.0	17.0	6.2											

*OTHER EM BATTERY SIZES AVAILABLE, CONSULT FACTORY

ADDITIONS


FS - FUSING

Slow blow type fuse protects fixture against voltage surges. Factory installed.



LSP10 - SM - SURGE PROTECTOR

Surge protector absorbs transient electrical spikes and protects fixtures and electronics 120/277v. Re-sets after surge. Factory Installed.



SAFETY CABLE OPTIONS

SC1 - SAFETY CABLE

1/16" stainless steel safety cable for added support. Standard kit is 18" and double barrel locks are provided. Approved for California seismic requirements. Rated at 50 lbs.




COLOR OPTIONS - POWDER COAT PAINT FINISHES

NOTE: NO PRINTED IMAGE CAN EQUAL THE EXACT COLOR OF FINISH ON METAL.
SEE INDIVIDUAL SPECIFICATION SHEETS OR CONSULT FACTORY FOR ADDITIONAL INFORMATION.



STANDARD CORD / STEM / CANOPY FINISHES

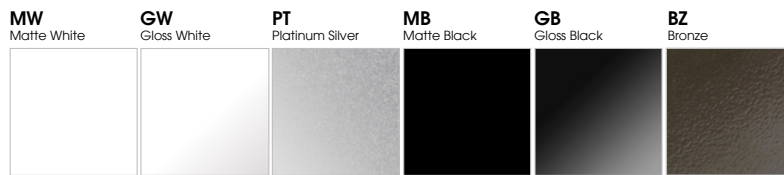
FIXTURE COLOR	STANDARD CORD COLOR	STANDARD CANOPY / STEM COLOR
Matte White, Textured White	Matte White	Matte White
Gloss White	Matte White	Gloss White
Matte Black, Gloss Black, Textured Black	Matte Black	Matte Black
All Others	Matte Black	Same Color as Fixture
Custom Color	Contact Factory	Contact Factory

PAINT TIMES

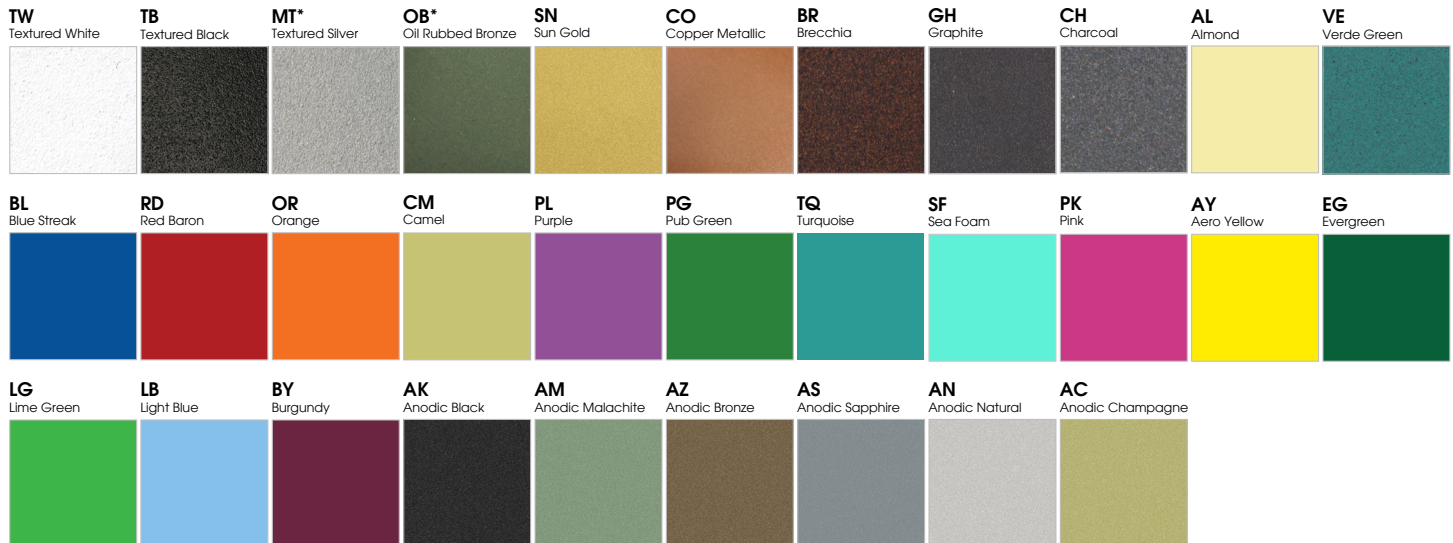
TIER	COST	AVERAGE PAINT TIME*
Tier 1 - Standard Finishes	\$	⌚
Tier 2 - Typical Finishes	\$\$	⌚⌚
Custom Color	Contact Factory	Contact Factory

*CONTACT FACTORY FOR SPECIFIC PRODUCT LEAD TIMES

TIER 1 - STANDARD FINISHES



TIER 2 - TYPICAL FINISHES



CUSTOM COLOR FINISHES

CONTACT FACTORY

CC
Custom Color



*UNAVAILABLE FOR WET LOCATION

