



PRISMATIC ACORN PENDANT

PA SERIES



PA1415GV

APPLICATION

Lumen Max GV series performance pendant for low, mid and high-bay applications.

FEATURES

Lumen Max prismatic acrylic refractors provide excellent area illumination with 19% upward and 81% downward distribution. A wide variety of mounting options. LED module and driver are serviceable for future replacement and maintenance. Five year warranty.

FINISH

Multi-stage polyester powder-coat process applied on our dedicated paint lines. Variety of standard and custom finishes are available. All exposed materials are chromate pretreated to resist corrosion.

ELECTRONICS

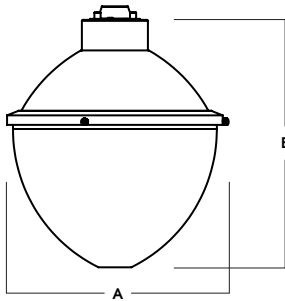
GV LED system features high brightness white Samsung LED's. 3-step MacAdam Ellipse binning. Standard CRI: 80+. Higher CRI, R9 and custom LED configurations are available; consult factory. Variety of electronic 120V/277V and dimming drivers.

CONSTRUCTION

Fixture shades are spun in our factory from 0.060" high purity aluminum. Refractor is molded UV stabilized acrylic with clear prismatic options.

CODE COMPLIANCE

BAA compliant. ETL certified to meet US and Canadian standards. Suitable for dry or damp locations. Manufactured and tested to UL standards No. 1598/8750.



A	B
13.3	15.5
337.8 mm	393.7 mm

LUMENS / WATTAGE DATA				
PART NUMBER	SOURCE LUMENS ¹	DELIVERED LUMENS ²	SYSTEM WATTS	LPW
PA1415GV15L	1500	1290	10	129
PA1415GV27L	2700	2333	18	129
PA1415GV37L	3700	3156	26	121

SERIES	LUMENS ¹		CCT		DRIVER / DIMMING ³		OPTIONS ⁴		MOUNTING ⁵		FINISH ⁸		
PA1415GV	15L	1500 Lm	27K	2700K	EX	Electronic Driver, 120V/277V	FS	Fusing	RDC5	Small Driver Canopy	MW ⁹	Matte White	
	27L	2700 Lm	30K	3000K	DS10X	10% 0-10V, 120V/277V			HM ⁶	Hang Straight		MB ⁹	Matte Black
	37L	3700 Lm	35K	3500K	DO10X	1% 0-10V, 120V/277V			AT ⁶	Hang Straight All Thread		PT ⁹	Platinum Silver
			40K	4000K					PM ⁶	Rigid Pendant	CC	Custom Color	
									CD ⁶	Cord / Cable Mount			
									EMERGENCY BATTERY OPTIONS			See Page 5 for Full Range of Color Options (83-90081)	
									EMCR ⁷	10W Canopy Mounted EM			
									EMRM	7W Remote EM			
										EMEN	7W Remote with Enclosure		

EXAMPLE: PA1415GV37L30KEX/RDC5HM36/MW

NOTES:
 1 Nominal Source Lumens at 35K 2 Nominal Delivered Lumens at 35K 3 Contact Factory for Additional Options 4 See Product Options Page for Details 5 See Mounting Page for Details on Components and Finishes
 6 Specify Length in Inches: See Mounting Page for Available Lengths 7 EMCR Replaces RDC5 8 See Color Page for More Options/Consult Factory for Special Finishes 9 Standard Finishes



PROJECT: _____
 QUANTITY: _____ TYPE: _____



PRISMATIC ACORN PENDANT

PA SERIES / FIXTURE OPTIONS



STANDARD FINISHES

MW
MATTE WHITE



MB
MATTE BLACK

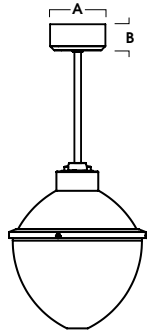


PT
PLATINUM SILVER



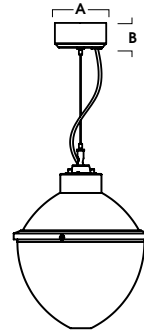
MOUNTING TYPES

HM / AT / PM
HANG STRAIGHT / ALL THREAD / PENDANT



A	B
5.4	2.5
137.2 mm	63.5 mm

CD
CORD / CABLE MOUNT



A	B
5.4	2.5
137.2 mm	63.5 mm



PRISMATIC ACORN PENDANT

PA SERIES / PHOTOMETRIC DATA



PA1415GV-37L-35K-EX-CP13

CANDLEPOWER CURVE	INTENSITY	ZONAL LUMENS	SINGLE UNIT: PERFORMANCE INITIAL FOOTCANDLES BASED ON IES BEAM ANGLE		MULTIPLE UNITS: PERFORMANCE 80/50/20% REFLECTANCES INITIAL FOOTCANDLES AND WATTS PER SQUARE FOOT							
	0.00°	0° - 20°	234	7%	Mounting Height	FC at Center on Floor	Ceiling Height	Fixture Spacing	RCR 2		RCR 4	
	0.00°	20° - 50°	1,067	34%	AFF		FC *	W/Sq. Ft.	FC *	W/Sq. Ft.		
	559	50° - 80°	1,048	33%	5.5'	18 fc	8'	8'	33	0.34	25	0.34
	603	80° - 90°	225	7%	6.5'	13 fc	12'	10'	29	0.30	22	0.30
	573	0° - 90°	2,574	81%	7.5'	10 fc	16'	12'	19	0.20	9	0.13
	150	90° - 120°	385	12%	8.5'	8 fc	Delivered Illuminance Rating: (DIR)					
	100	120° - 150°	153	5%	10.0'	6 fc	2' Suspension Length					
	100	Total	3,162	100%	12.0'	4 fc	Square rooms used for multiple units:					
	250				14.0'	3 fc	- RCR 2: Length & Width = Ceiling Ht. - 4.5' x 5.00					
	350				16.0'	2 fc	- RCR 4: Length & Width = Ceiling Ht. - 4.5' x 2.50					
	400						* Average Footcandles at 2.5' Above Floor					
	450						* Exceeds spacing criteria by 45%					
500						** Exceeds spacing criteria by -16%						
550						*** Exceeds spacing criteria by -34%						
600												

Delivered Lumens: 3,162
Luminaire Watts: 26
LER: 121.62

CP at 0deg (Nadir): 559
CRI: 85+

Lamp Multiplier: 15L x 0.57, 27L x 1.0, 37L x 1.47
CCT Multiplier: 27K x 0.97, 30K x 0.99, 40K x 1.03

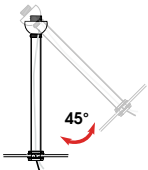
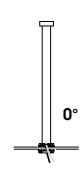
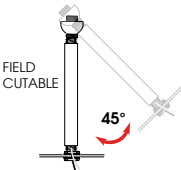
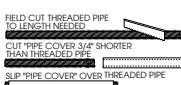

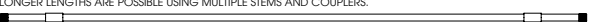


MOUNTING & ACCESSORIES

SOME OPTIONS NOT AVAILABLE ON ALL FIXTURES, CONSULT SPECIFICATION SHEETS. SEE INDIVIDUAL SPECIFICATION SHEETS OR CONSULT FACTORY FOR ADDITIONAL INFORMATION. NOTE: THIS IS TYPICAL OF LUMEN MAX SPECIFICATION FOR PENDANT MOUNTING. INDIVIDUAL FIXTURES OR PROJECTS MAY HAVE SPECIALIZED REQUIREMENTS.

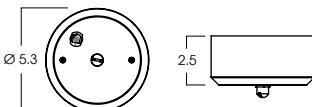


MOUNTING TYPES

<p>HM* HANG STRAIGHT 45° SWIVEL 5/8" OD STEM - 3/8" IP</p>  <p>ORDER: HM (Length) SPECIFY LENGTH: HM3 - 3" HM24 - 24" HM6 - 6" HM36 - 36" HM12 - 12" HM48 - 48" HM18 - 18" HM72 - 72" HMLC(XX) Custom Length (Specify in Inches)</p>	<p>PM* RIGID PENDANT MOUNT RIGID 5/8" OD STEM - 3/8" IP</p>  <p>ORDER: PM (Length) SPECIFY LENGTH: PM3 - 3" PM24 - 24" PM6 - 6" PM36 - 36" PM12 - 12" PM48 - 48" PM18 - 18" PM72 - 72" PMLC(XX) Custom Length (Specify in Inches)</p>	<p>AT** HANG STRAIGHT ALL THREAD 45° SWIVEL 5/8" OD STEM - 1/4" IP</p>  <p>ORDER: AT (Length) SPECIFY LENGTH: AT12 - 12" AT24 - 24" AT36 - 36"</p> 	<p>CD CORD / CABLE MOUNT SJ CORD WITH 1/16 SS CABLE</p>  <p>ORDER: CD (Length) SPECIFY LENGTH: CD36 - 36" CD72 - 72" CD144 - 144" CDLC(XX) Custom Length (Specify in Inches)</p>
<p>*MAXIMUM ONE PIECE STEM LENGTH IS 72". **MAXIMUM ONE PIECE STEM LENGTH IS 36". LONGER LENGTHS ARE POSSIBLE USING MULTIPLE STEMS AND COUPLERS.</p> 			

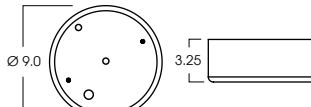
CEILING MOUNT CANOPY

RDC5 - SMALL DRIVER CANOPY (STANDARD)



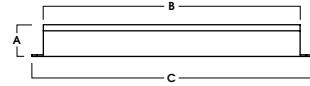
EMERGENCY BATTERY OPTIONS

EMCR - LARGE DRIVER CANOPY FOR 10W EMERGENCY BATTERY




REMOTE EMERGENCY BATTERY OPTIONS

EMRM* - 7W REMOTE EMERGENCY BATTERY (50' MAX)



A	B	C
1.3	12.6	13.0

EMEN* - 7W REMOTE EMERGENCY BATTERY WITH ENCLOSURE (50' MAX)



A	B	C
2.0	17.0	6.2

*OTHER EM BATTERY SIZES AVAILABLE. CONSULT FACTORY

ADDITIONS

FS - FUSING

Slow blow type fuse protects fixture against voltage surges. Factory installed.



LSP10 - SM - SURGE PROTECTOR

Surge protector absorbs transient electrical spikes and protects fixtures and electronics 120/277v. Re-sets after surge. Factory Installed.




COLOR OPTIONS - POWDER COAT PAINT FINISHES

NOTE: NO PRINTED IMAGE CAN EQUAL THE EXACT COLOR OF FINISH ON METAL.
SEE INDIVIDUAL SPECIFICATION SHEETS OR CONSULT FACTORY FOR ADDITIONAL INFORMATION.



STANDARD CORD / STEM / CANOPY FINISHES

FIXTURE COLOR	STANDARD CORD COLOR	STANDARD CANOPY / STEM COLOR
Matte White, Textured White	Matte White	Matte White
Gloss White	Matte White	Gloss White
Matte Black, Gloss Black, Textured Black	Matte Black	Matte Black
All Others	Matte Black	Same Color as Fixture
Custom Color	Contact Factory	Contact Factory

PAINT TIMES

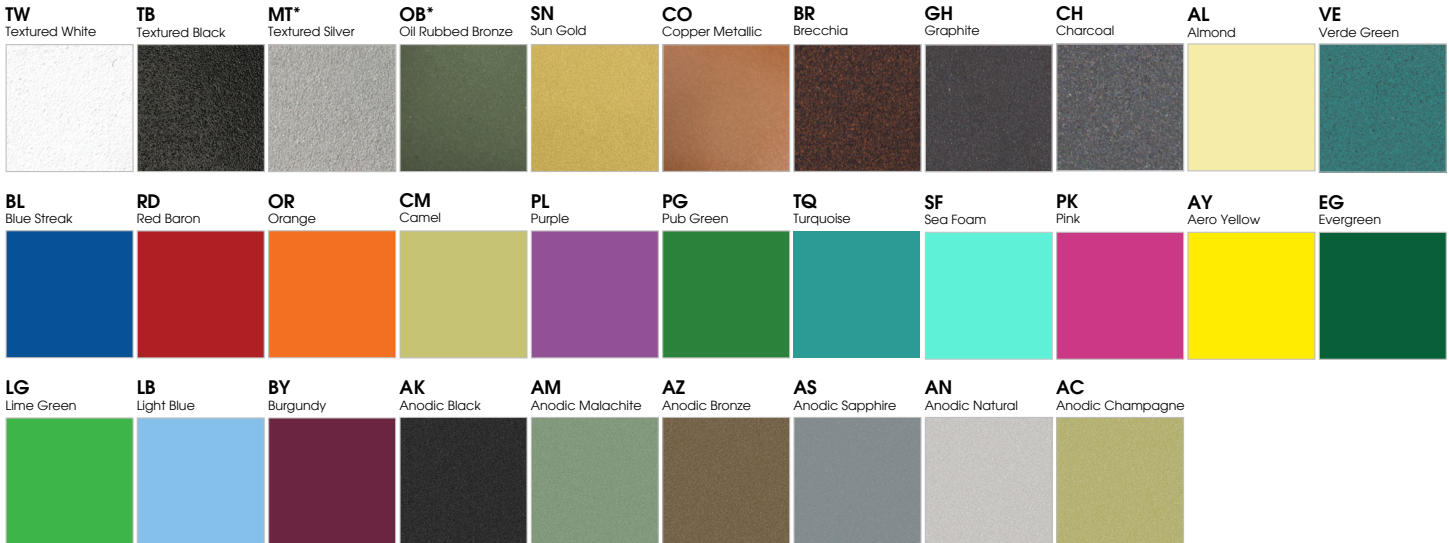
TIER	COST	AVERAGE PAINT TIME*
Tier 1 - Standard Finishes	\$	⌚
Tier 2 - Typical Finishes	\$\$	⌚⌚
Custom Color	Contact Factory	Contact Factory

*CONTACT FACTORY FOR SPECIFIC PRODUCT LEAD TIMES

TIER 1 - STANDARD FINISHES



TIER 2 - TYPICAL FINISHES



CUSTOM COLOR FINISHES

CONTACT FACTORY

CC
Custom Color



*UNAVAILABLE FOR WET LOCATION

