



STEPPED GLASS BANKERS
INCANDESCENT
 CLASSIC GLASS

PROJECT: _____

QUANTITY: _____ TYPE: _____



SERIES	MOUNTING ¹	FINISH ³
ST1310INC	CEILING MOUNT	MW⁴ Matte White MB⁴ Matte Black PT⁴ Platinum Silver CC Custom Color See Page 4 for Full Range of Color Options (83-90082)
	HM₋₂ Hang Straight Pendant AT₋₂ Adjustable Length Hang Straight Pendant PM₋₂ Pendant/Straight Mount CD₋₂ Cord and Cable Mount CM₋₂ Cord Mount	

EXAMPLE: ST1310INC/HM36/MW

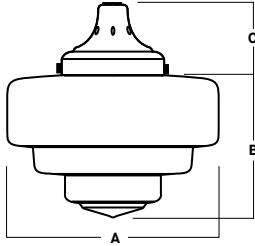
NOTES:
 1 See Mounting Pages Options and Details on Components and Finishes 2 Specify Length in Inches: See Mounting Page for Available Lengths
 3 See Color Page for More Options/Consult Factory for Special Finishes 4 Standard Interior Finish





STEPPED GLASS BANKERS
INCANDESCENT
 CLASSIC GLASS

HOUSING DIMENSIONS



A	B	C
13.4	10.4	3.0
340.4 mm	264.2 mm	76.2 mm

APPLICATION

The Stepped Glass Bankers Light offers traditional looks with modern lamping options. INC Series is designed for covered or indoor dry/damp locations.

FEATURES

RLM Classics fixtures offer contemporary style with functional luminaire performance. All fixtures are designed and manufactured in our factory. The wide range of mounting and finishes allows for creative fixture specification and design. Fixtures may be pendant mounted with cable/cord or rigid stem.

FINISH

Multi-stage polyester powder-coat process applied on our dedicated paint lines. Variety of standard and custom finishes are available.

ELECTRONICS

E26 Edison medium base 120V socket for incandescent or LED lamps.

CONSTRUCTION

Canopy is spun in our factory from 0.063 high purity aluminum. Heatsink and other components are machined aluminum. Glass is seamless opal white.

CODE COMPLIANCE

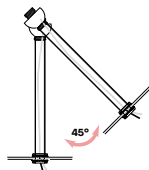
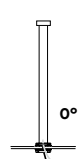
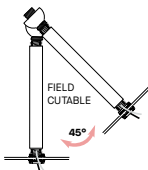
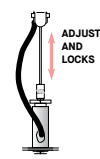

BAA Compliant. ETL listed for dry/damp locations. Manufactured and tested to UL standards No. 1598/8750.

MOUNTING & ACCESSORIES

SOME OPTIONS NOT AVAILABLE ON ALL FIXTURES. CONSULT SPECIFICATION SHEETS. SEE INDIVIDUAL SPECIFICATION SHEETS OR CONSULT FACTORY FOR ADDITIONAL INFORMATION. NOTE: THIS IS TYPICAL OF RLM SPECIFICATION FOR MOUNTING. INDIVIDUAL FIXTURES OR PROJECTS MAY HAVE SPECIALIZED REQUIREMENTS.



CEILING MOUNTING

<p>HM* HANG STRAIGHT 45° SWIVEL 5/8" OD STEM - 3/8" IP</p>  <p>ORDER: HM (Length) SPECIFY LENGTH: HM3 - 3" HM24 - 24" HM6 - 6" HM36 - 36" HM12 - 12" HM48 - 48" HM18 - 18" HM72 - 72" HMLC(XX) Custom Length (Specify in Inches)</p>	<p>PM* RIGID PENDANT MOUNT RIGID 5/8" OD STEM - 3/8" IP</p>  <p>ORDER: PM (Length) SPECIFY LENGTH: PM3 - 3" PM24 - 24" PM6 - 6" PM36 - 36" PM12 - 12" PM48 - 48" PM18 - 18" PM72 - 72" PMLC(XX) Custom Length (Specify in Inches)</p>	<p>AT** HANG STRAIGHT ALL THREAD 45° SWIVEL 5/8" OD STEM - 1/4" IP</p>  <p>ORDER: AT (Length) SPECIFY LENGTH: AT12 - 12" AT48 - 48" AT24 - 24" AT60 - 60" AT36 - 36" AT72 - 72" <small>(FIELD CUTTABLE PIPE CUTTING REQUIRED) (SHUN THREADED PIPE SUPPLY COVER OVER THREADED PIPE)</small></p>	<p>CD CORD / CABLE MOUNT SJ CORD WITH 1/16 SS CABLE</p>  <p>ORDER: CD (Length) SPECIFY LENGTH: CD36 - 36" CD72 - 72" CD144 - 144" CDLC(XX) Custom Length (Specify in Inches)</p>	<p>CM CORD MOUNT SJ CORD WITH STRAIN RELIEF</p>  <p>ORDER: CM (Length) SPECIFY LENGTH: CM36 - 36" CM72 - 72" CM144 - 144" CMLC(XX) Custom Length (Specify in Inches)</p>
---	--	---	--	--

*MAXIMUM ONE PIECE STEM LENGTH IS 72". **MAXIMUM ONE PIECE STEM LENGTH IS 36". LONGER LENGTHS ARE POSSIBLE USING MULTIPLE STEMS AND COUPLERS.
**ORDER IN 12" INCREMENTS. ODD SIZES MAY BE FIELD CUT

COLOR OPTIONS - POWDER COAT PAINT FINISHES

NOTE: NO PRINTED IMAGE CAN EQUAL THE EXACT COLOR OF FINISH ON METAL.
SEE INDIVIDUAL SPECIFICATION SHEETS OR CONSULT FACTORY FOR ADDITIONAL INFORMATION.



STANDARD CORD / STEM / CANOPY FINISHES

FIXTURE COLOR	STANDARD CORD COLOR	STANDARD CANOPY / STEM COLOR
Matte White, Textured White	Matte White	Matte White
Gloss White	Matte White	Gloss White
Matte Black, Gloss Black, Textured Black	Matte Black	Matte Black
All Others	Matte Black	Same Color as Fixture
Custom Color	Contact Factory	Contact Factory

PAINT TIMES

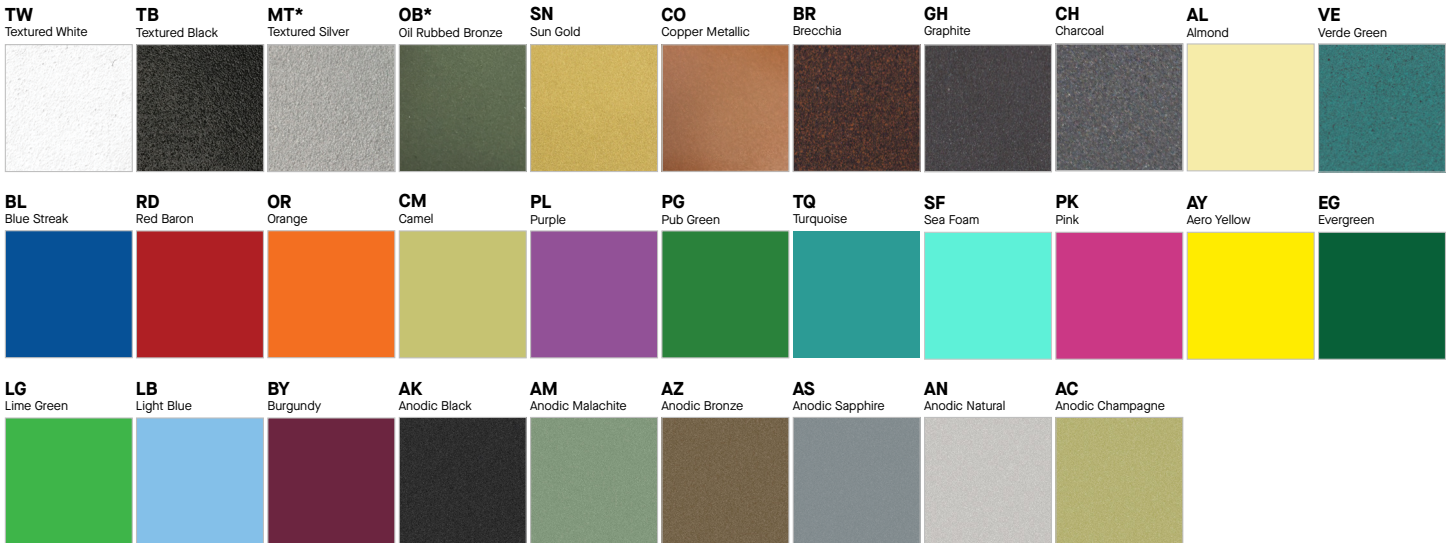
TIER	COST	AVERAGE PAINT TIME*
Tier 1 - Standard Finishes	\$	⓪
Tier 2 - Typical Finishes	\$\$	⓪⓪
Tier 3 - Special Metal Finishes	\$\$\$	⓪⓪⓪
Custom Color	Contact Factory	Contact Factory

*CONTACT FACTORY FOR SPECIFIC PRODUCT LEAD TIMES

TIER 1 - STANDARD FINISHES



TIER 2 - TYPICAL FINISHES



TIER 3 - SPECIAL METAL FINISHES

NOT AVAILABLE ON ALL FIXTURES. PLEASE CONSULT SPECIFICATION SHEETS OR FACTORY FOR AVAILABILITY.



CUSTOM COLOR FINISHES

CONTACT FACTORY

CC
Custom Color



*UNAVAILABLE FOR WET LOCATION

** UNAVAILABLE FOR INTERIOR