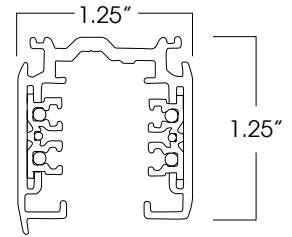
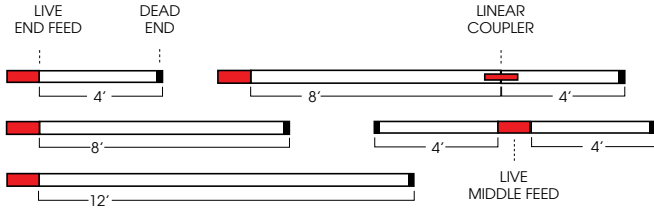




TYPICAL TRACK INSTALLATIONS



DESCRIPTION	CATALOG NUMBER
	TRACK
4' TRACK	XTSC604
8' TRACK	XTSC608
12' TRACK	XTSC6012

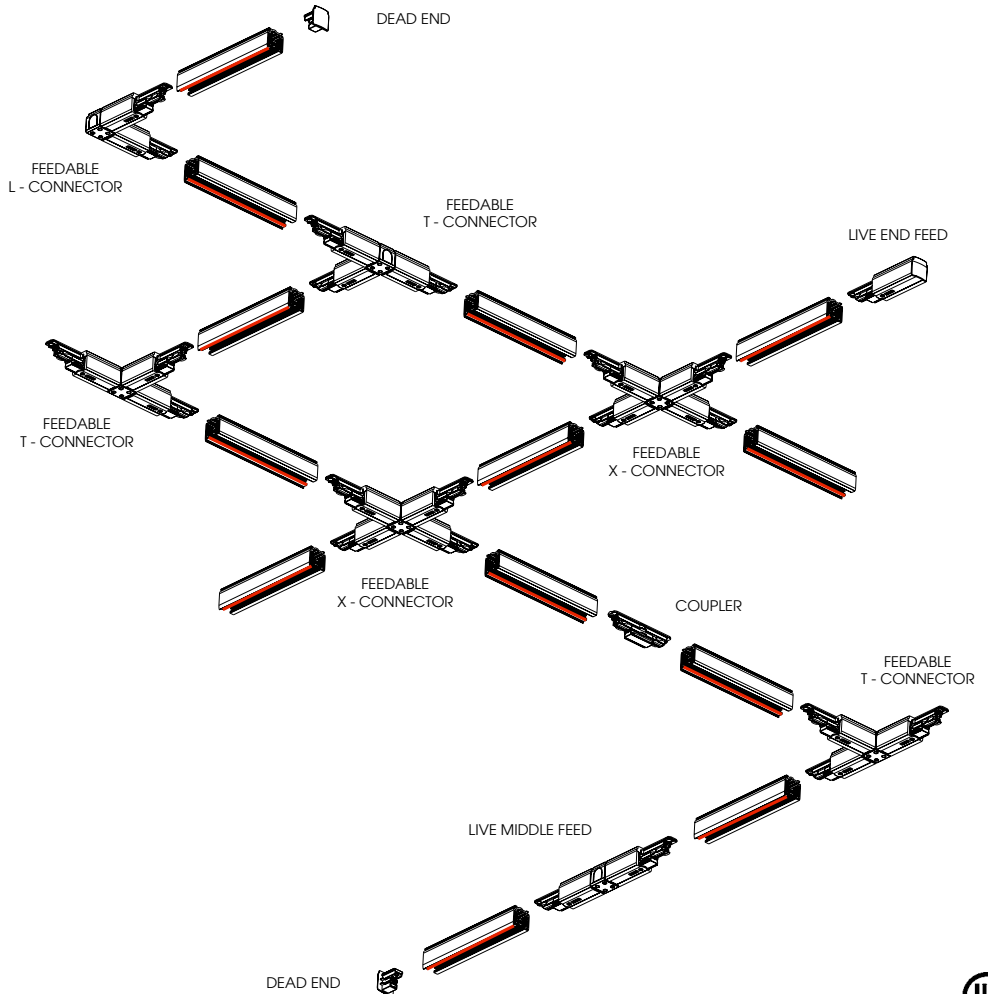
- 3 circuits, 0-10V Dimming.
- Architectural Grade.
- Low Profile, easy installation
- Integral Suspension rail.
- Copper connector/polycarbonate components
- UL Listed up to 240V 50-60 Hz

FINISH OPTIONS



PRODUCT ORDERING COLOR CODES ¹
White (-3) Black (-2) Gray (-1)

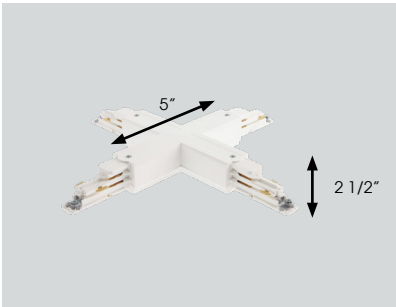
¹ Specify Finish



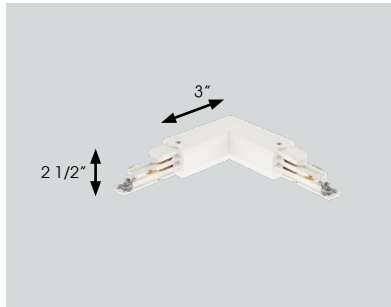
Dimensions and values shown are nominal. Spectrum Lighting continually works to improve products and reserves the right to make changes which may alter the performance or appearance of products.

PROJECT:	TYPE:
CAT. NO.:	



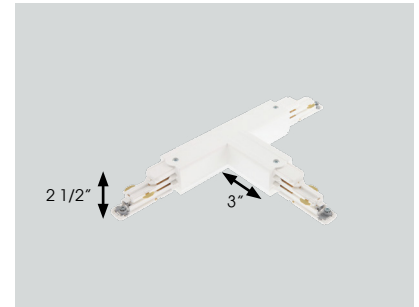


FEEDABLE X-CONNECTOR
XTSC638 (-1, -2, -3)



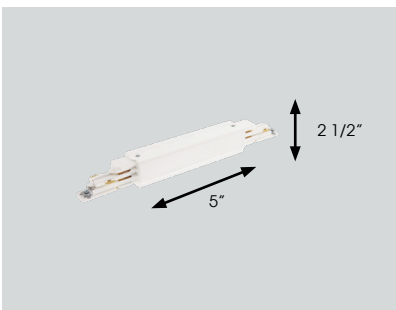
FEEDABLE L-CONNECTOR

Inside Polarity	XTSC634 (-1, -2, -3)
Outside Polarity	XTSC635 (-1, -2, -3)

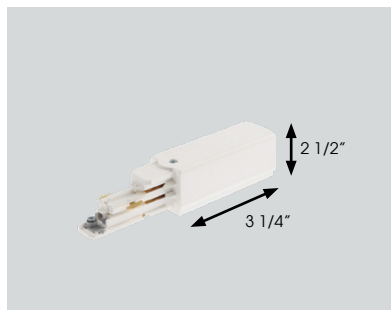


FEEDABLE T-CONNECTOR

Outside left Polarity	XTSC636 (-1, -2, -3)
Inside Right Polarity	XTSC637 (-1, -2, -3)
Outside Right Polarity	XTSC639 (-1, -2, -3)
Inside left Polarity	XTSC640 (-1, -2, -3)



LIVE MIDDLE FEED
XTSC614 (-1, -2, -3)

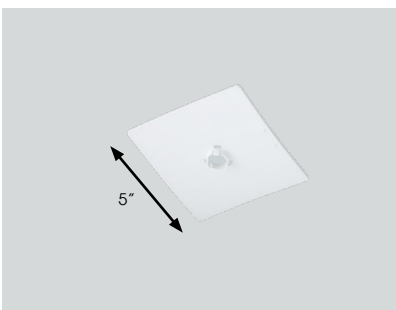


LIVE END FEED

	XTSC611 (-1, -2, -3)
Reverse Polarity	XTSC612 (-1, -2, -3)



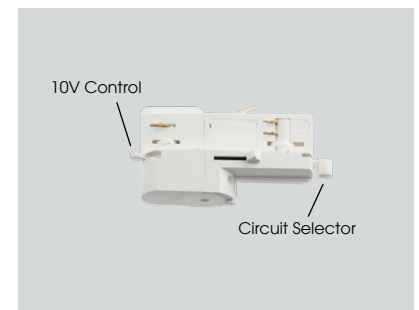
COUPLER
XTSC621 (-1, -2, -3)



OUTLET BOX COVER
GES 15 (-1, -2, -3)



DEAD END
Must be ordered separately
XTS 41 (-1, -2, -3)



TP3 ADAPTER
0-10V and 120V Control
Holds 20 lbs max TP3 (-1, -2, -3)

Dimensions and values shown are nominal. Spectrum Lighting continually works to improve products and reserves the right to make changes which may alter the performance or appearance of products.

PROJECT:	TYPE:
CAT. NO.:	



STEM KITS

Includes stem & canopy. Available in 12, 18, 24.48, inch lengths
SPUS (length) (-2, -3)



END FEED STEM SUSPENSION POINT

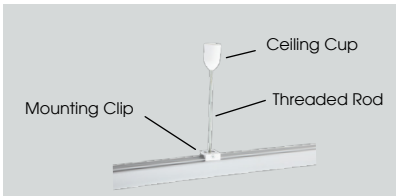
Includes bracket & cover (Stem not included)
SP4E (-2, -3) Also available: Specify **SP4L**, **SP4T**, or **SP4X** for L, T, or X configurations



EXTENDED SUSPENSION BRACKET

For Looped Aircraft Cable

SKB18 (-1, -2, -3)



THREADED ROD MOUNT

Ceiling Cup **SKB30** (-2, -3)

Threaded Rod **SKB31**

Mounting Clip **SKB12** or **SKB10** (-1, -2, -3)



TRACK MOUNTING CLIP FOR DIA 0.06" WIRE

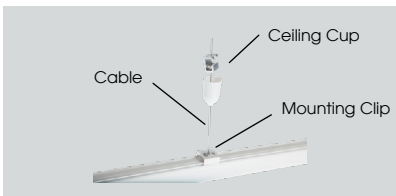
SKB11WL (-1, -2, -3)



TRACK LENGTH & FIELD CUTTING TOOL

All-in-one hand tool bends conductors to manufacturer's specifications and includes gauge to verify correct length

XTSV12



CABLE MOUNT

Cable (available in 5', 9', 15' lengths) **SKB34** (-1, -2, -3)

Ceiling Cup **SKB30** (-2, -3)

Mounting Clip **SKB12** or **SKB10** (-1, -2, -3)



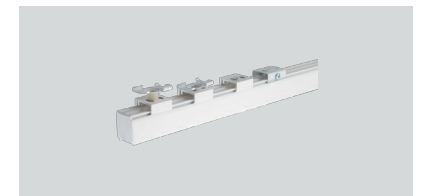
TRACK MOUNTING CLIP FOR M6 OR 1/4" - 20 UNC ROD

Thread: M6 1/4"-20 UNC

SKB11R-1UL (-1)

SKB11R-2UL (-2)

SKB11R-3 SKB11R-3UL (-3)



TRACK MOUNTING CLIPS

Recessed T Grid Clip **SKBX12** (-2, -3)

Standard T Grid Clip **SKBT12** (-2, -3)

Standard Track Clip **SKB12** (-1, -2, -3)

Standard Track Clip **SKB10** (-1, -2, -3)



UNIVERSAL STEM SUSPENSION POINT

Includes bracket and cover (Stem not included) **SP4P** (-2, -3)



SUSPENSION BRACKET

For Looped Aircraft Cable

SKB16 (-1, -2, -3)

Dimensions and values shown are nominal. Spectrum Lighting continually works to improve products and reserves the right to make changes which may alter the performance or appearance of products.