



16" PRISMATIC AF SERIES



PRAF16GV

APPLICATION

16" Arc pendant evokes industrial age designs while using latest LED technology for excellent general illumination. Prismatic refractor provides horizontal and vertical distribution. Laser cut decorative arm.

FEATURES

Extruded Fixture Housing (EXT) features a single-stage optical system for smooth light distribution. 80 CRI minimum. Consult factory for high CRI or special applications. LED module and driver designed for ease of maintenance and replacement. Posi-lock refractor retention ring will absorb shocks and impact. Optional safety cable.

FINISH

Multi-stage polyester powder-coat process applied on our dedicated paint lines. A wide variety of standard and custom finishes are available. All exposed materials are chromate pretreated to resist corrosion.

ELECTRONICS

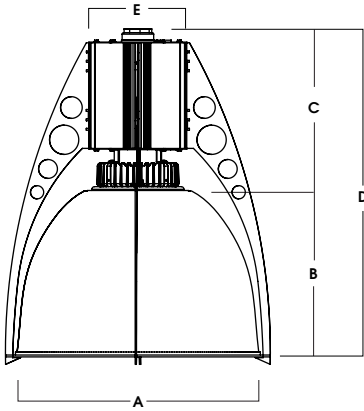
Extruded and machined 6063-T5 aluminum housing. Graphite gasket for optimal thermal management. Refractor made of cast UV stabilized acrylic.

CONSTRUCTION

Extruded and machined 6063-T5 aluminum housing. Graphite gasket for optimal thermal management. Die-cast aluminum heat sink. Refractor made of cast UV stabilized acrylic. ARC pendant arms and deco ring are laser cut 5052 aluminum.

CODE COMPLIANCE

BAA compliant. ETL certified to meet US and Canadian standards. Suitable for dry or damp locations. Manufactured and tested to UL standards No. 1598/8750.



A	B	C	D	E
16.2	11.0	10.7	21.7	6.7
411.5 mm	279.4 mm	271.8 mm	551.2 mm	170.2 mm

Fixture Weight: 7.4 lbs

LUMENS / WATTAGE DATA				
PART NUMBER	SOURCE LUMENS ¹	DELIVERED LUMENS ²	SYSTEM WATTS	LPW
PRAF16GV15L	1500	1213	10	121
PRAF16GV27L	2700	2118	18	118
PRAF16GV37L	3700	3107	26	120
PRAF16GV55L	5500	4575	39	117

SERIES	LUMENS ¹	CCT	DRIVER / DIMMING ³	OPTIONS ⁴	MOUNTING ⁵	REFRACTOR	TIER OPTIONS	FINISH ¹¹
PRAF16GV	15L 1500 Lm	27K 2700K	EX Electronic Driver, 120V/277V DS10X 10% 0-10V, 120V/277V DO10X 1% 0-10V, 120V/277V	FS Fusing E347 347V Driver SC1 Safety Cable	HM ⁶ Hang Straight AT ⁶ Hang Straight All Thread PM ⁶ Rigid Pendant CD ⁶ Cord / Cable Mount HC ^{6/7/8} Hook & Cord NM2 ^{7/8/9} 1/2" NPT Hub NM3 ^{7/8/9} 3/4" NPT Hub	PR16 16" Clear OPI6 16" Opal	AFPF Aluminum Fins w/ Deco Perforations and 1-Metal Tier Ring AFSF Aluminum Deco Arm with Slots and 1-Metal Tier Ring	MW ¹² Matte White MB ¹² Matte Black PT ¹² Platinum Silver CC Custom Color
	27L 2700 Lm	30K 3000K						
	37L 3700 Lm	35K 3500K						See Page 5 for Full Range of Color Options (83-90081)
	55L 5500 Lm	40K 4000K 50K 5000K						

EXAMPLE: PRAF16GV15L35KEX/HM36/PR16/AFPFPTRD/PT

NOTES:
 1 Nominal Source Lumens at 35K 2 Nominal Delivered Lumens at 35K with PR16-AFPF-MW 3 Contact Factory for Additional Options 4 See Product Options Page for Details 5 See Mounting Page for Details on Components and Finishes 6 Specify Length in Inches: See Mounting Page for Available Lengths 7 Mounting Supplied by Others 8 Not Available with EMCR 9 12" Leads Unless Specified 10 Tier to Match Fixture if Finish Not Specified 11 See Color Page for More Options/Consult Factory for Special Finishes 12 Standard Finishes



PROJECT: _____
 QUANTITY: _____ TYPE: _____



16" PRISMATIC

AF SERIES / FIXTURE OPTIONS



STANDARD FINISHES

MW
MATTE WHITE



MB
MATTE BLACK

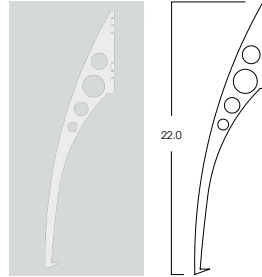


PT
PLATINUM SILVER

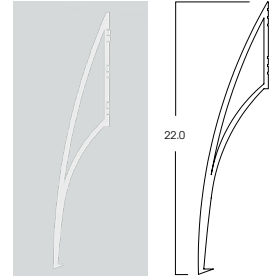


DECORATIVE ARMS

AFPF
LASER CUT DECO ARM WITH HOLES

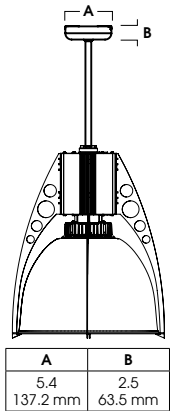


AFSF
LASER CUT DECO ARM WITH SLOTS

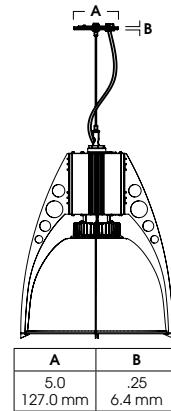


MOUNTING TYPES

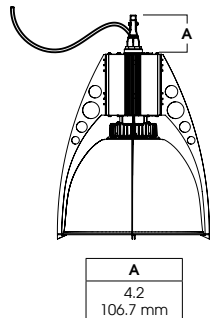
HM / AT / PM
HANG STRAIGHT / ALL THREAD / PENDANT



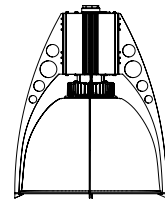
CD
CORD / CABLE MOUNT



HC
HOOK CORD



NM
NO MOUNT

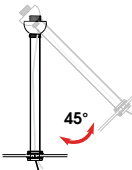
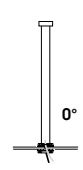
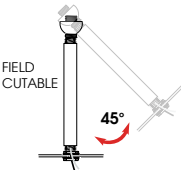
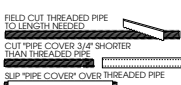

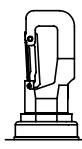


MOUNTING & ACCESSORIES

SOME OPTIONS NOT AVAILABLE ON ALL FIXTURES, CONSULT SPECIFICATION SHEETS. SEE INDIVIDUAL SPECIFICATION SHEETS OR CONSULT FACTORY FOR ADDITIONAL INFORMATION. NOTE: THIS IS TYPICAL OF LUMEN MAX SPECIFICATION FOR PENDANT MOUNTING. INDIVIDUAL FIXTURES OR PROJECTS MAY HAVE SPECIALIZED REQUIREMENTS.



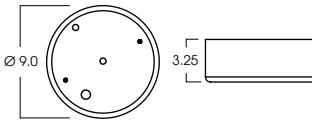
MOUNTING TYPES

<p>HM* HANG STRAIGHT 45° SWIVEL 5/8" OD STEM - 3/8" IP</p>  <p>ORDER: HM (Length) SPECIFY LENGTH: HM3 - 3" HM24 - 24" HM6 - 6" HM36 - 36" HM12 - 12" HM48 - 48" HM18 - 18" HM72 - 72" HMLC(XX) Custom Length (Specify in Inches)</p>	<p>PM* RIGID PENDANT MOUNT RIGID 5/8" OD STEM - 3/8" IP</p>  <p>ORDER: PM (Length) SPECIFY LENGTH: PM3 - 3" PM24 - 24" PM6 - 6" PM36 - 36" PM12 - 12" PM48 - 48" PM18 - 18" PM72 - 72" PMLC(XX) Custom Length (Specify in Inches)</p>	<p>AT** HANG STRAIGHT ALL THREAD 45° SWIVEL 5/8" OD STEM - 1/4" IP</p>  <p>ORDER: AT (Length) SPECIFY LENGTH: AT12 - 12" AT24 - 24" AT36 - 36"</p> 	<p>CD CORD / CABLE MOUNT SJ CORD WITH 1/16 SS CABLE</p>  <p>ORDER: CD (Length) SPECIFY LENGTH: CD36 - 36" CD72 - 72" CD144 - 144" CDLC(XX) Custom Length (Specify in Inches)</p>	<p>HC HOOK & CORD FOR INDEPENDENT MOUNTING</p>  <p>ORDER: HC</p>
------------------------------------------------------------------------------------------------------------------------------------------------------------------------------------------------------------------------------------------------------------------------------------------------------------------------------------------------------------------------------------------------------------------------------------------------------	-------------------------------------------------------------------------------------------------------------------------------------------------------------------------------------------------------------------------------------------------------------------------------------------------------------------------------------------------------------------------------------------------------------------------------------------------------	------------------------------------------------------------------------------------------------------------------------------------------------------------------------------------------------------------------------------------------------------------------------------------------------------------------------------------------------------------------------------------------------------------------------------------------------------------------------	---------------------------------------------------------------------------------------------------------------------------------------------------------------------------------------------------------------------------------------------------------------------------------------------------------------------------------------------------	-------------------------------------------------------------------------------------------------------------------------------------------------------------------------------

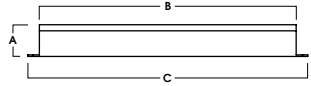
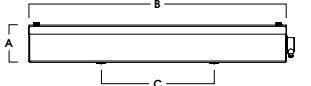
*MAXIMUM ONE PIECE STEM LENGTH IS 72". **MAXIMUM ONE PIECE STEM LENGTH IS 36". LONGER LENGTHS ARE POSSIBLE USING MULTIPLE STEMS AND COUPLERS.

EMERGENCY BATTERY OPTIONS

EMCR - LARGE DRIVER CANOPY FOR 10W EMERGENCY BATTERY



REMOTE EMERGENCY BATTERY OPTIONS

<p>EMRM* - 7W REMOTE EMERGENCY BATTERY (50' MAX)</p>  <table border="1"> <thead> <tr> <th>A</th> <th>B</th> <th>C</th> </tr> </thead> <tbody> <tr> <td>1.3</td> <td>12.6</td> <td>13.0</td> </tr> </tbody> </table>	A	B	C	1.3	12.6	13.0	<p>EMEN* - 7W REMOTE EMERGENCY BATTERY WITH ENCLOSURE (50' MAX)</p>  <table border="1"> <thead> <tr> <th>A</th> <th>B</th> <th>C</th> </tr> </thead> <tbody> <tr> <td>2.0</td> <td>17.0</td> <td>6.2</td> </tr> </tbody> </table>	A	B	C	2.0	17.0	6.2
A	B	C											
1.3	12.6	13.0											
A	B	C											
2.0	17.0	6.2											

*OTHER EM BATTERY SIZES AVAILABLE, CONSULT FACTORY

ADDITIONS


FS - FUSING

Slow blow type fuse protects fixture against voltage surges. Factory installed.



LSP10 - SM - SURGE PROTECTOR

Surge protector absorbs transient electrical spikes and protects fixtures and electronics 120/277v. Re-sets after surge. Factory Installed.



SAFETY CABLE OPTIONS

SC1 - SAFETY CABLE

1/16" stainless steel safety cable for added support. Standard kit is 18" and double barrel locks are provided. Approved for California seismic requirements. Rated at 50 lbs.




16" PRISMATIC

AF SERIES / PHOTOMETRIC DATA



PRAF16GV-55L-35K-EX-PR16-AFPF (or AFSF)-MW

CANDLEPOWER CURVE	INTENSITY	ZONAL LUMENS	SINGLE UNIT: PERFORMANCE INITIAL FOOTCANDLES BASED ON IES BEAM ANGLE	MULTIPLE UNITS: PERFORMANCE 80/50/20% REFLECTANCES INITIAL FOOTCANDLES AND WATTS PER SQUARE FOOT																																									
	0.00°	0° - 10°	397	9%	<table border="1"> <thead> <tr> <th rowspan="2">Ceiling Height</th> <th rowspan="2">Fixture Spacing</th> <th colspan="2">RCR 1</th> <th colspan="2">RCR 3</th> </tr> <tr> <th>FC +</th> <th>W/Sq. Ft.</th> <th>FC +</th> <th>W/Sq. Ft.</th> </tr> </thead> <tbody> <tr> <td>17'</td> <td>12' *</td> <td>36</td> <td>0.29</td> <td>24</td> <td>0.24</td> </tr> <tr> <td>21'</td> <td>14' **</td> <td>24</td> <td>0.20</td> <td>24</td> <td>0.23</td> </tr> <tr> <td>25'</td> <td>16' ***</td> <td>18</td> <td>0.15</td> <td>15</td> <td>0.15</td> </tr> <tr> <td colspan="2">Delivered Illuminance Rating: (DIR)</td> <td colspan="2">122 FC per W/Sq. Ft.</td> <td colspan="2">102 FC per W/Sq. Ft.</td> </tr> <tr> <td colspan="6"> 3' Suspension Length Square rooms used for multiple units: - RCR 1: Length & Width = Ceiling Ht. - 5.5' x 10.00 - RCR 3: Length & Width = Ceiling Ht. - 5.5' x 3.33 * Average Footcandles at 2.5' Above Floor ** Exceeds spacing criteria by 19% *** Exceeds spacing criteria by -7% </td> </tr> </tbody> </table>	Ceiling Height	Fixture Spacing	RCR 1		RCR 3		FC +	W/Sq. Ft.	FC +	W/Sq. Ft.	17'	12' *	36	0.29	24	0.24	21'	14' **	24	0.20	24	0.23	25'	16' ***	18	0.15	15	0.15	Delivered Illuminance Rating: (DIR)		122 FC per W/Sq. Ft.		102 FC per W/Sq. Ft.		3' Suspension Length Square rooms used for multiple units: - RCR 1: Length & Width = Ceiling Ht. - 5.5' x 10.00 - RCR 3: Length & Width = Ceiling Ht. - 5.5' x 3.33 * Average Footcandles at 2.5' Above Floor ** Exceeds spacing criteria by 19% *** Exceeds spacing criteria by -7%					
	Ceiling Height	Fixture Spacing	RCR 1					RCR 3																																					
			FC +	W/Sq. Ft.		FC +	W/Sq. Ft.																																						
	17'	12' *	36	0.29		24	0.24																																						
	21'	14' **	24	0.20		24	0.23																																						
	25'	16' ***	18	0.15		15	0.15																																						
	Delivered Illuminance Rating: (DIR)		122 FC per W/Sq. Ft.			102 FC per W/Sq. Ft.																																							
	3' Suspension Length Square rooms used for multiple units: - RCR 1: Length & Width = Ceiling Ht. - 5.5' x 10.00 - RCR 3: Length & Width = Ceiling Ht. - 5.5' x 3.33 * Average Footcandles at 2.5' Above Floor ** Exceeds spacing criteria by 19% *** Exceeds spacing criteria by -7%																																												
	4,210	0° - 20°	1,330	29%		<table border="1"> <thead> <tr> <th>Mounting Height AFF</th> <th>FC at Center on Floor</th> <th>Beam Diameter</th> <th>FC at Beam Edge</th> </tr> </thead> <tbody> <tr> <td>8.0'</td> <td>66 fc</td> <td>9.7'</td> <td>32 fc</td> </tr> <tr> <td>10.0'</td> <td>42 fc</td> <td>12.1'</td> <td>21 fc</td> </tr> <tr> <td>12.0'</td> <td>29 fc</td> <td>14.5'</td> <td>14 fc</td> </tr> <tr> <td>14.0'</td> <td>21 fc</td> <td>16.9'</td> <td>11 fc</td> </tr> <tr> <td>16.0'</td> <td>16 fc</td> <td>19.3'</td> <td>8 fc</td> </tr> <tr> <td>20.0'</td> <td>11 fc</td> <td>24.1'</td> <td>5 fc</td> </tr> <tr> <td>24.0'</td> <td>7 fc</td> <td>29.0'</td> <td>4 fc</td> </tr> <tr> <td>28.0'</td> <td>5 fc</td> <td>33.8'</td> <td>3 fc</td> </tr> </tbody> </table>	Mounting Height AFF	FC at Center on Floor	Beam Diameter	FC at Beam Edge	8.0'	66 fc	9.7'	32 fc	10.0'	42 fc	12.1'	21 fc	12.0'	29 fc	14.5'	14 fc	14.0'	21 fc	16.9'	11 fc	16.0'	16 fc	19.3'	8 fc	20.0'	11 fc	24.1'	5 fc	24.0'	7 fc	29.0'	4 fc	28.0'	5 fc	33.8'	3 fc			
	Mounting Height AFF	FC at Center on Floor	Beam Diameter	FC at Beam Edge																																									
	8.0'	66 fc	9.7'	32 fc																																									
10.0'	42 fc	12.1'	21 fc																																										
12.0'	29 fc	14.5'	14 fc																																										
14.0'	21 fc	16.9'	11 fc																																										
16.0'	16 fc	19.3'	8 fc																																										
20.0'	11 fc	24.1'	5 fc																																										
24.0'	7 fc	29.0'	4 fc																																										
28.0'	5 fc	33.8'	3 fc																																										
4,071	0° - 30°	2,549	56%																																										
3,782	0° - 40°	3,383	74%																																										
3,360	0° - 60°	4,023	88%																																										
2,925	0° - 80°	4,368	95%																																										
2,279	0° - 90°	4,450	97%																																										
629	Total	4,584	100%																																										
360																																													
253																																													
165																																													
98																																													
59																																													

Delivered Lumens: 4,584
 Luminaire Watts: 39
 LER: 117.54

CP at 0deg (Nadir): 4,210
 CRI: 80

Beam Angle: 62.21
 Spacing Ratio: 0.88

Lamp Multiplier: 15L x 0.27, 27L x 0.46, 37L x 0.68
 CCT Multiplier: 50K x 1.06, 40K x 1.03, 30K x 0.985, 27K x 0.971



COLOR OPTIONS - POWDER COAT PAINT FINISHES

NOTE: NO PRINTED IMAGE CAN EQUAL THE EXACT COLOR OF FINISH ON METAL.
SEE INDIVIDUAL SPECIFICATION SHEETS OR CONSULT FACTORY FOR ADDITIONAL INFORMATION.



STANDARD CORD / STEM / CANOPY FINISHES

FIXTURE COLOR	STANDARD CORD COLOR	STANDARD CANOPY / STEM COLOR
Matte White, Textured White	Matte White	Matte White
Gloss White	Matte White	Gloss White
Matte Black, Gloss Black, Textured Black	Matte Black	Matte Black
All Others	Matte Black	Same Color as Fixture
Custom Color	Contact Factory	Contact Factory

PAINT TIMES

TIER	COST	AVERAGE PAINT TIME*
Tier 1 - Standard Finishes	\$	⌚
Tier 2 - Typical Finishes	\$\$	⌚⌚
Custom Color	Contact Factory	Contact Factory

*CONTACT FACTORY FOR SPECIFIC PRODUCT LEAD TIMES

TIER 1 - STANDARD FINISHES



TIER 2 - TYPICAL FINISHES



CUSTOM COLOR FINISHES

CONTACT FACTORY

CC
Custom Color



*UNAVAILABLE FOR WET LOCATION

