



**SMALL APERTURE
ARCHITECTURAL RECESSED SERIES**



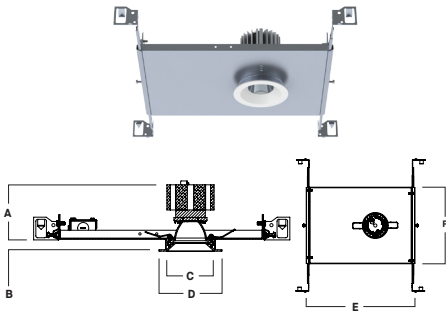
UNIVERSAL HOUSINGS WITH INTERCHANGEABLE TRIMS



2" DIE CAST SERIES - 2000 LUMENS MAX

SR2MO (ROUND) / SS2MO (DEEP SQUARE) - NEW CONSTRUCTION / 20L MAX

Non-IC rated, thermally protected frame-in kit for new construction. Non-IC designation requires insulation must be minimum of 3" from housing.

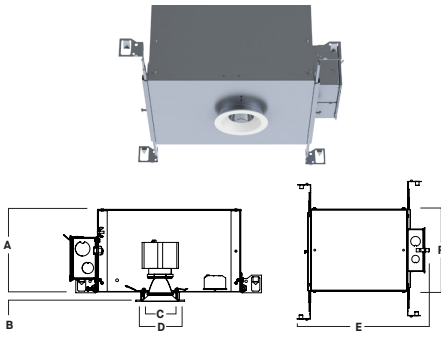


A	B	C	D	E	F
4.2	.625	2.82	3.75	12.9	9.1
106.7 mm	15.2 mm	71.6 mm	95.3 mm	327.7 mm	231.1 mm

Fixture Weight: 4.0 lbs Ceiling Outcut: Ø 3"

SR2MI (ROUND) / SS2MI (DEEP SQUARE) - IC CONSTRUCTION / 20L MAX

IC rated frame-in kit for new construction with direct insulation contact and CCEA (Chicago Plenum) compatibility.

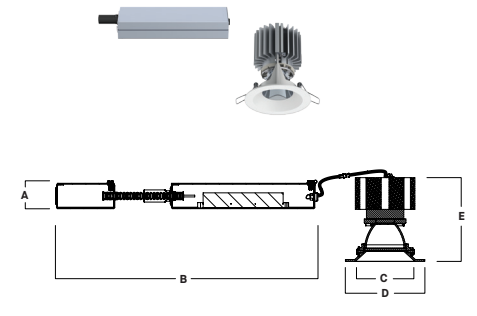


A	B	C	D	E	F
6.4	.625	2.82	3.75	15.4	9.8
162.6 mm	15.2 mm	71.6 mm	95.3 mm	391.2 mm	248.9 mm

Fixture Weight: 5.0 lbs Ceiling Outcut: Ø 3"

SR2MR (ROUND) / SS2MR (DEEP SQUARE) - REMODEL / 20L MAX

Non-IC rated frame-in kit for existing construction. Non-IC designation requires insulation must be minimum of 3" from housing.



A	B	C	D	E
1.5	13.9	2.82	3.75	4.8
38.1 mm	353.1 mm	71.6 mm	95.3 mm	121.9 mm

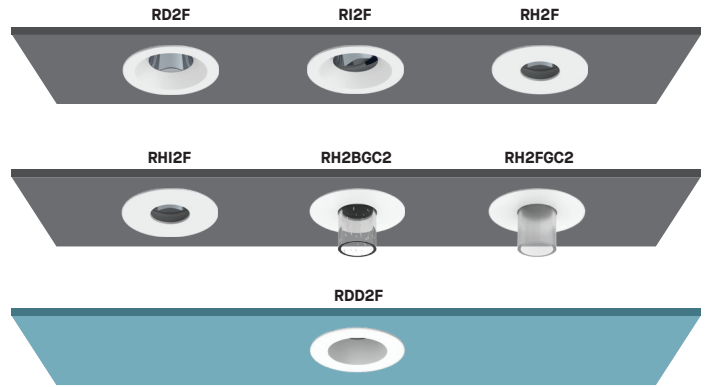
Fixture Weight: 2.0 lbs Ceiling Outcut: Ø 3"

2" ROUND MODULES



FLANGED

- RD2F** Downlight (Shown)
- RI2F** 15° Adjustable
- RH2F** Pinhole
- RHI2F** 15° Adjustable Pinhole
- RH2BGC2** Bubble Glass
- RH2FGC2** Tube Accent



DEEP REGRESS - FLANGED

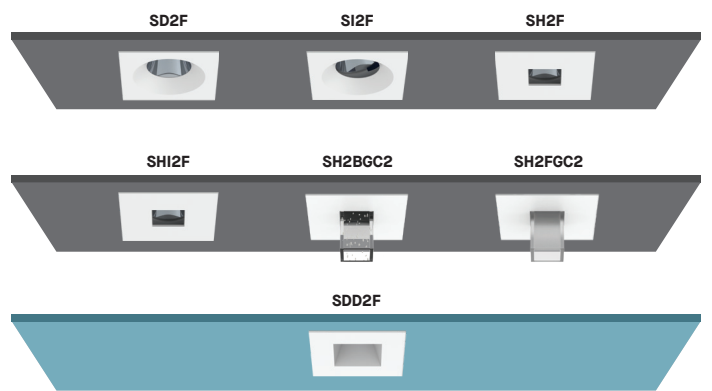
- RDD2F** Deep Downlight

2" SQUARE MODULES



FLANGED

- SD2F** Downlight (Shown)
- SI2F** 15° Adjustable
- SH2F** Pinhole
- SHI2F** 15° Adjustable Pinhole
- SH2BGC2** Bubble Glass
- SH2FGC2** Tube Accent



DEEP REGRESS - FLANGED

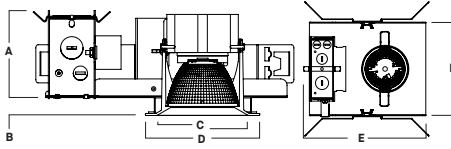
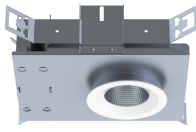
- SDD2F** Deep Downlight



3" DIE CAST SERIES - 3000 LUMENS MAX

SR3MO (ROUND) / SS3MO (SQUARE) - NEW CONSTRUCTION / 30L MAX

Non-IC rated, thermally protected frame-in kit for new construction. Non-IC designation requires insulation must be minimum of 3" from housing.



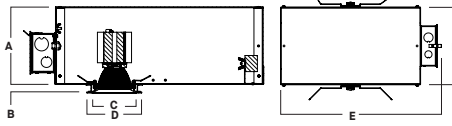
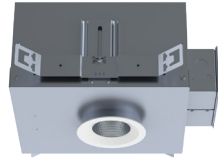
LED	A	B	C	D	E	F
XT10L	3.43	.625	3.63	4.5	9.57	7.65
XT13L	3.77	.625	3.63	4.5	9.57	7.65
XT20L-30L	4.27	.625	3.63	4.5	9.57	7.65

Fixture Weight: 4.0 lbs

Ceiling Cutout: Ø 4"

SR3MI (ROUND) / SS3MI (SQUARE) - IC CONSTRUCTION / 20L MAX

IC rated frame-in kit for new construction with direct insulation contact and CCEA (Chicago Plenum) compatibility.



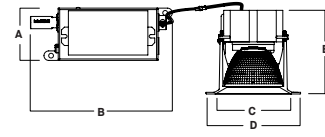
A	B	C	D	E	F
6.36	.625	3.63	4.5	10L-13L: 13.2	9.5
161.5 mm	15.9 mm	92.2 mm	114.3 mm	20L: 19.2	241.3 mm

Fixture Weight: 5.0 lbs

Ceiling Cutout: Ø 4"

SR3MR (ROUND) / SS3MR (SQUARE) - REMODEL / 30L MAX

Non-IC rated frame-in kit for existing construction. Non-IC designation requires insulation must be minimum of 3" from housing.



A	B	C	D	E
2.8	7.5	3.63	4.5	4.1
71.1 mm	190.5 mm	92.2 mm	114.3 mm	104.1 mm

Fixture Weight: 2.0 lbs

Ceiling Cutout: Ø 4"

3" ROUND MODULES



FLANGED

RD3F	Downlight (Shown)
RA3F	35° Adjustable
RI3F	15° Adjustable
RW3F	Wall Wash
RH3F	Pinhole
RP3F	25° Pull Down
RH3BGC2	Bubble Glass Tube Accent
RH3FGC2	Frosted Glass Tube Accent

DEEP REGRESS - FLANGED

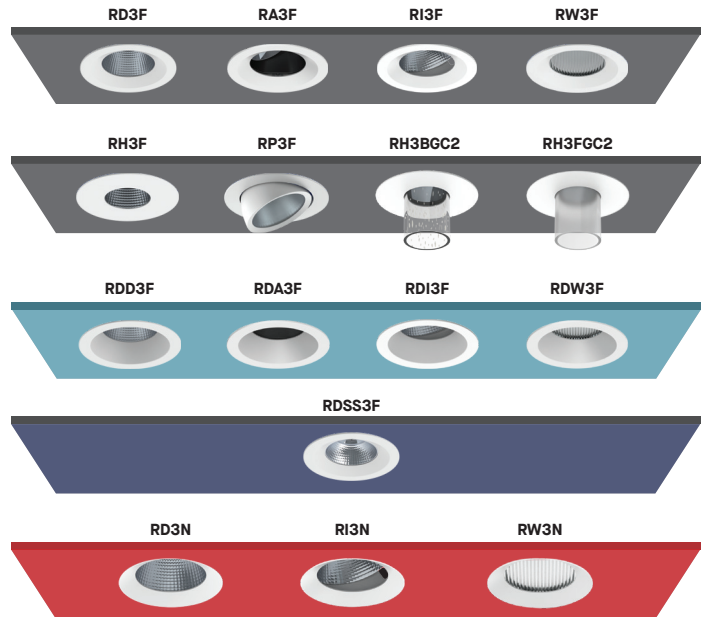
RDD3F	Deep Downlight
RDA3F	Deep 35° Adjustable
RDI3F	Deep 15° Adjustable
RDW3F	Deep Wall Wash

SUPER SHALLOW - FLANGED

RDSS3F	Super Shallow Downlight
---------------	-------------------------

FLANGELESS N-LINE

RD3N	N-Line Downlight
RI3N	N-Line 15° Adjustable
RW3N	N-Line Wall Wash



3" SQUARE MODULES



FLANGED

SD3F	Downlight (Shown)
SA3F	35° Adjustable
SI3F	15° Adjustable
SW3F	Wall Wash
SH3F	Pinhole
SP3F	25° Pull Down
SH3BGC2	Bubble Glass Tube Accent
SH3FGC2	Frosted Glass Tube Accent

DEEP REGRESS - FLANGED

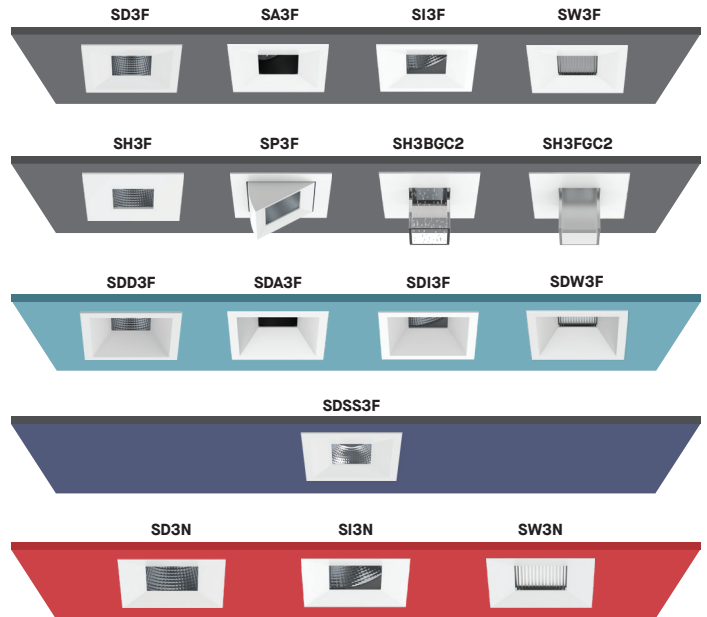
SDD3F	Deep Downlight
SDA3F	Deep 35° Adjustable
SDI3F	Deep 15° Adjustable
SDW3F	Deep Wall Wash

SUPER SHALLOW - FLANGED

SDSS3F	Super Shallow Downlight
---------------	-------------------------

FLANGELESS N-LINE

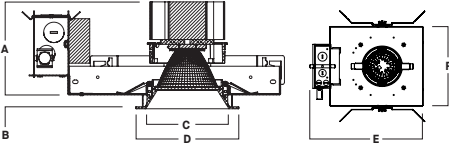
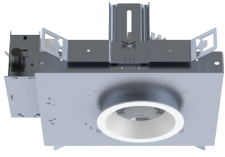
SD3N	N-Line Downlight
SI3N	N-Line 15° Adjustable
SW3N	N-Line Wall Wash



4" DIE CAST SERIES - 4000 LUMENS MAX

SR4MO (ROUND) / SS4MO (SQUARE) - NEW CONSTRUCTION / 40L MAX

Non-IC rated, thermally protected frame-in kit for new construction. Non-IC designation requires insulation must be minimum of 3" from housing.

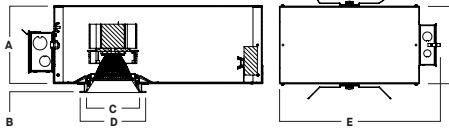
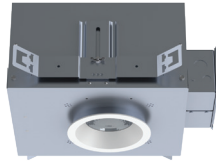


A	B	C	D	E	F
4.9	.625	4.4	5.4	13.2	9.5
124.5 mm	15.2 mm	111.8 mm	137.2 mm	335.3 mm	241.3 mm

Fixture Weight: 7 lbs Ceiling Outcut: Ø 5"

SR4MI (ROUND) / SS4MI (SQUARE) - IC CONSTRUCTION / 20L MAX

IC rated frame-in kit for new construction with direct insulation contact and CCEA (Chicago Plenum) compatibility.

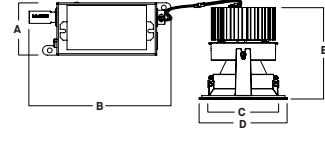


A	B	C	D	E	F
6.37	.625	4.4	5.4	10L-13L: 13.2	9.5
161.8 mm	15.9 mm	111.8 mm	137.2 mm	20L: 19.2	241.3 mm

Fixture Weight: 9 lbs Ceiling Outcut: Ø 5"

SR4MR (ROUND) / SS4MR (SQUARE) - REMODEL / 40L MAX

Non-IC rated frame-in kit for existing construction. Non-IC designation requires insulation must be minimum of 3" from housing.



A	B	C	D	E
2.8	7.5	4.4	5.4	5.6
71.1 mm	190.5 mm	111.8 mm	137.2 mm	142.2 mm

Fixture Weight: 5 lbs Ceiling Outcut: Ø 5"

4" ROUND MODULES



FLANGED

- RDD4F** Downlight (Shown)
- RDA4F** 30° Adjustable
- RDW4F** Wall Wash

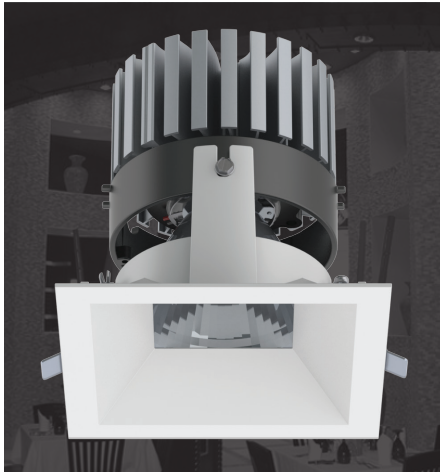


FLANGELESS N-LINE

- RDD4N** N-Line Downlight
- RDA4N** N-Line 30° Adjustable
- RDW4N** N-Line Wall Wash



4" SQUARE MODULES



FLANGED

- SDD4F** Downlight (Shown)
- SDA4F** 30° Adjustable
- SDW4F** Wall Wash



FLANGELESS N-LINE

- SDD4N** N-Line Downlight
- SDA4N** N-Line 30° Adjustable
- SDW4N** N-Line Wall Wash



LIGHTSOURCE BY
XICATO



Spectrum Lighting