



16" ALUMINUM WIDE BEAM DDH SERIES



ALDDHWD16LX

APPLICATION

16" Lumen Max LX series performance pendant for low and mid-bay applications. Wide distribution aluminum reflector designed for maximum downlight.

FEATURES

Domed Fixture Housing (DDH) features a contemporary design and is easy to maintain. Single-stage optical system for smooth light distribution. LED module and driver designed for ease of maintenance and replacement. Posi-lock reflector retention ring will absorb shocks and impacts. Optional safety cable. Variety of optical lenses and mounting methods.

FINISH

Multi-stage polyester powder-coat process applied on our dedicated paint lines. Variety of standard and custom finishes are available. All exposed materials are chromate pretreated to resist corrosion.

ELECTRONICS

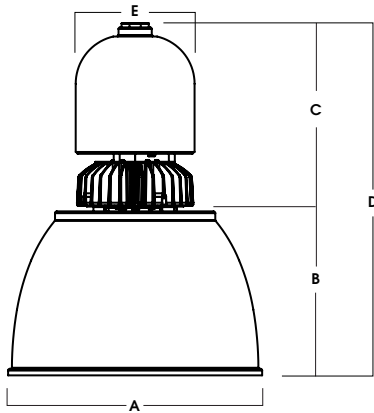
LED system features high brightness white Nichia LEDs. 3-step MacAdam Ellipse binning. Standard CRI: 80+. Higher CRI, R9 and custom LED configurations are available; consult factory. Variety of electronic 120V/277V and dimming drivers. LED module is 2 circuit with 2 drivers for multicircuit option as well as safety.

CONSTRUCTION

Housing constructed of extruded and machined aluminum to resist corrosion. Graphite gasket for optimal thermal management. Die-cast aluminum heat sink. Reflector made of spun .060" aluminum.

CODE COMPLIANCE

BAA compliant. ETL certified to meet US and Canadian standards. Suitable for dry or damp locations. Manufactured and tested to UL standards No. 1598/8750.



A	B	C	D	E
16.0	10.5	11.5	21.3	7.5
406.4 mm	266.7 mm	292.1 mm	541.0 mm	190.5 mm

Fixture Weight: 10.5 lbs

LUMENS / WATTAGE DATA				
PART NUMBER	SOURCE LUMENS ¹	DELIVERED LUMENS ²	SYSTEM WATTS	LPW
ALDDHWD16LX65L	6500	5497	54.1	102
ALDDHWD16LX100L	10000	8245	81.06	102
ALDDHWD16LX130L	13000	10496	103.89	101
ALDDHWD16LX140L	14000	11303	111.89	101

SERIES	LUMENS ¹	CCT	DRIVER / DIMMING ³	OPTIONS ⁴	MOUNTING ⁵	REFLECTOR	DIFFUSER OPTIONS	FINISH ¹⁰
ALDDHWD16LX	65L 6500 Lm	27K 2700K	EX Electronic Driver, 120V/277V DS10X 10%, 0-10V, 120V/277V DO10X 1%, 0-10V, 120V/277V DO103 1%, 0-10V, 347V	FS Fusing 2CIR 2 Circuit SC1 Safety Cable SC2 Safety Cable Reflector to door	HM ⁶ Hang Straight AT ⁷ Hang Straight All Thread PM ⁸ Rigid Pendant CD ⁹ Cord / Cable HC ⁹ Mount NM2 ⁹ Hook & Cord NM3 ⁹ ½" NPT Hub ¾" NPT Hub	AL16WD/SGI ⁸ 16" Wide Aluminum Reflector/ Soft Glow	DR16D ⁹ 16" Spun Door	MW ¹¹ Matte White MB ¹¹ Matte Black PT ¹¹ Platinum Silver CC Custom Color
	100L 10000 Lm	30K 3000K						
	130L 13000 Lm	35K 3500K			EMCR 10W Canopy Mounted EM EMRM 7W Remote EM EMEN 7W Remote with Enclosure		CNFR Conical Frosted Lens CN Conical Lens DL Drop Lens FO White Optical Acrylic PP Prismatic Polycarbonate Clear PC Polycarbonate	See Page 5 for Full Range of Color Options (83-90081)
	140L 14000 Lm	40K 4000K						

EXAMPLE: ALDDHWD16LX100L35KEX/HM36/AL16WD/SGI/SGDR16DFO/MW

NOTES:
 1 Nominal Source Lumens at 35K 2 Nominal Delivered Lumens at 35K with AL16WD 3 Contact Factory for Additional Options 4 See Product Options Page For Details 5 See Mounting Page for Details on Components and Finishes 6 Specify Length in Inches: See Mounting Page for Available Lengths 7 Mounting Supplied by Others 8 Standard Color 9 Same Finish as Outside of Housing 10 See Color Page for More Options / Consult Factory for Special Finishes 11 Standard Finishes



PROJECT: _____
 TYPE: _____



Dimensions and values shown are nominal. Spectrum Lighting continually works to improve products and reserves the right to make changes which may alter the performance or appearance of products.

16" ALUMINUM WIDE BEAM

DDH SERIES / FIXTURE OPTIONS



STANDARD FINISHES

MW
MATTE WHITE



MB
MATTE BLACK

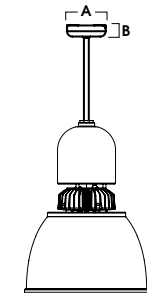


PT
PLATINUM SILVER



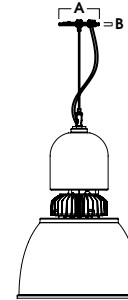
MOUNTING TYPES

HM / AT / PM
HANG STRAIGHT / ALL THREAD / PENDANT



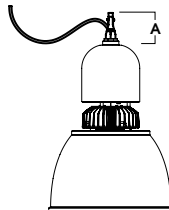
A	B
5.0	1.5
127.0 mm	38.1 mm

CD
CORD / CABLE MOUNT



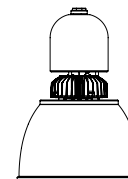
A	B
5.0	.25
127.0 mm	6.35 mm

HC
HOOK CORD



A
4.0
101.6 mm

NM
NO MOUNT

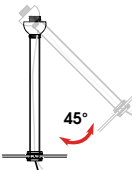
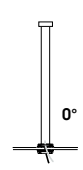
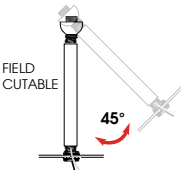
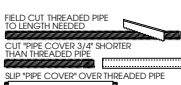

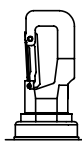
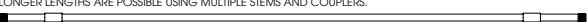


MOUNTING & ACCESSORIES

SOME OPTIONS NOT AVAILABLE ON ALL FIXTURES, CONSULT SPECIFICATION SHEETS. SEE INDIVIDUAL SPECIFICATION SHEETS OR CONSULT FACTORY FOR ADDITIONAL INFORMATION. NOTE: THIS IS TYPICAL OF LUMEN MAX SPECIFICATION FOR PENDANT MOUNTING. INDIVIDUAL FIXTURES OR PROJECTS MAY HAVE SPECIALIZED REQUIREMENTS.

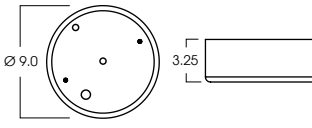


MOUNTING TYPES

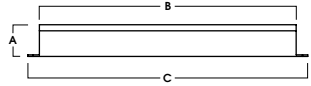
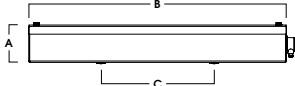
<p>HM* HANG STRAIGHT 45° SWIVEL 5/8" OD STEM - 3/8" IP</p>  <p>ORDER: HM (Length) SPECIFY LENGTH: HM3 - 3" HM24 - 24" HM6 - 6" HM36 - 36" HM12 - 12" HM48 - 48" HM18 - 18" HM72 - 72" HMLC(XX) Custom Length (Specify in Inches)</p>	<p>PM* RIGID PENDANT MOUNT RIGID 5/8" OD STEM - 3/8" IP</p>  <p>ORDER: PM (Length) SPECIFY LENGTH: PM3 - 3" PM24 - 24" PM6 - 6" PM36 - 36" PM12 - 12" PM48 - 48" PM18 - 18" PM72 - 72" PMLC(XX) Custom Length (Specify in Inches)</p>	<p>AT** HANG STRAIGHT ALL THREAD 45° SWIVEL 5/8" OD STEM - 1/4" IP</p>  <p>ORDER: AT (Length) SPECIFY LENGTH: AT12 - 12" AT24 - 24" AT36 - 36"</p> 	<p>CD CORD / CABLE MOUNT SJ CORD WITH 1/16 SS CABLE</p>  <p>ORDER: CD (Length) SPECIFY LENGTH: CD36 - 36" CD72 - 72" CD144 - 144" CDLC(XX) Custom Length (Specify in Inches)</p>	<p>HC HOOK & CORD FOR INDEPENDENT MOUNTING</p>  <p>ORDER: HC</p>
<p>*MAXIMUM ONE PIECE STEM LENGTH IS 72". **MAXIMUM ONE PIECE STEM LENGTH IS 36". LONGER LENGTHS ARE POSSIBLE USING MULTIPLE STEMS AND COUPLERS.</p> 				

EMERGENCY BATTERY OPTIONS

EMCR - LARGE DRIVER CANOPY FOR 10W EMERGENCY BATTERY



REMOTE EMERGENCY BATTERY OPTIONS

<p>EMRM* - 7W REMOTE EMERGENCY BATTERY (50" MAX)</p>  <table border="1" data-bbox="568 1197 763 1239"> <thead> <tr> <th>A</th> <th>B</th> <th>C</th> </tr> </thead> <tbody> <tr> <td>1.3</td> <td>12.6</td> <td>13.0</td> </tr> </tbody> </table>	A	B	C	1.3	12.6	13.0	<p>EMEN* - 7W REMOTE EMERGENCY BATTERY WITH ENCLOSURE (50" MAX)</p>  <table border="1" data-bbox="925 1197 1120 1239"> <thead> <tr> <th>A</th> <th>B</th> <th>C</th> </tr> </thead> <tbody> <tr> <td>2.0</td> <td>17.0</td> <td>6.2</td> </tr> </tbody> </table>	A	B	C	2.0	17.0	6.2
A	B	C											
1.3	12.6	13.0											
A	B	C											
2.0	17.0	6.2											

*OTHER EM BATTERY SIZES AVAILABLE, CONSULT FACTORY

ADDITIONS


FS - FUSING

Slow blow type fuse protects fixture against voltage surges. Factory installed.



LSP10 - SM - SURGE PROTECTOR

Surge protector absorbs transient electrical spikes and protects fixtures and electronics 120/277v. Re-sets after surge. Factory Installed.



SAFETY CABLE OPTIONS

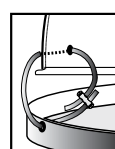
SC1 - SAFETY CABLE

1/16" stainless steel safety cable for added support. Standard kit is 18" and double barrel locks are provided. Approved for California seismic requirements. Rated at 50 lbs.



SC2 - SAFETY CABLE

1/16" Stainless steel cable holds door to fixture



16" ALUMINUM WIDE BEAM

DDH SERIES / PHOTOMETRIC DATA



ALDDH16LEDLX-140L35K-EX-AL16-SG-WD

CANDLEPOWER CURVE	INTENSITY	ZONAL LUMENS	SINGLE UNIT: PERFORMANCE INITIAL FOOTCANDLES BASED ON IES BEAM ANGLE				MULTIPLE UNITS: PERFORMANCE 80/50/20% REFLECTANCES INITIAL FOOTCANDLES AND WATTS PER SQUARE FOOT							
			Mounting Height AFF	FC at Center on Floor	Beam Diameter	FC at Beam Edge	Ceiling Height	Fixture Spacing	RCR 2		RCR 4			
	0.00°	0° - 10°	1,091	10%	10.0'	113 fc	12.9'	55 fc	22'	16'	47	0.47	26	0.30
	0.00° 11,258	0° - 20°	3,993	35%	12.0'	78 fc	15.5'	38 fc	26'	18''	30	0.29	37	0.42
	5.00° 11,288	0° - 30°	7,594	67%	14.0'	57 fc	18.1'	28 fc	32'	20''	25	0.25	22	0.25
	10.00° 11,154	0° - 40°	10,415	92%	16.0'	44 fc	20.7'	22 fc	Delivered Illuminance Rating: [DIR]					
	15.00° 10,441	0° - 60°	11,255	100%	20.0'	28 fc	25.9'	14 fc	2' Suspension Length					
	20.00° 9,079	0° - 80°	11,289	100%	24.0'	20 fc	31.1'	10 fc	Square rooms used for multiple units:					
	30.00° 6,629	0° - 90°	11,289	100%	28.0'	14 fc	36.2'	7 fc	- RCR 2: Length & Width = Ceiling Ht. - 6.5' x 5.00					
	40.00° 2,280	Total	11,289	100%	32.0'	11 fc	41.4'	5 fc	- RCR 4: Length & Width = Ceiling Ht. - 6.5' x 2.50					
	50.00° 376								* Average Footcandles at 2.5' Above Floor					
	60.00° 92								* Exceeds spacing criteria by 10%					
	70.00° 11								** Exceeds spacing criteria by -2%					
	80.00° 0								*** Exceeds spacing criteria by -17%					
90.00° 0														
Delivered Lumens: 11,289	CP at 0deg (Nadir): 11,258	Beam Angle: 65.85	Lamp Multiplier: 65L x 0.47, 100L x 0.706, 130L x 0.93											
Luminaire Watts: 111.89	CRI: 85+	Spacing Ratio: 0.94	CCT Multiplier: 40K x 1.03, 30K x 0.98, 27K x 0.96											
LER: 100.89														

COLOR OPTIONS - POWDER COAT PAINT FINISHES

NOTE: NO PRINTED IMAGE CAN EQUAL THE EXACT COLOR OF FINISH ON METAL.
SEE INDIVIDUAL SPECIFICATION SHEETS OR CONSULT FACTORY FOR ADDITIONAL INFORMATION.



STANDARD CORD / STEM / CANOPY FINISHES

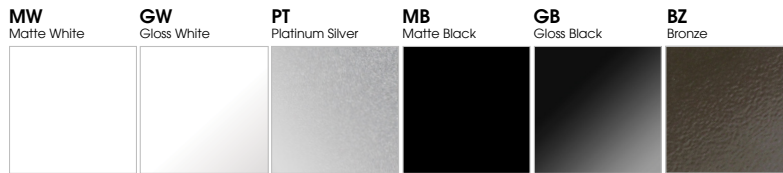
FIXTURE COLOR	STANDARD CORD COLOR	STANDARD CANOPY / STEM COLOR
Matte White, Textured White	Matte White	Matte White
Gloss White	Matte White	Gloss White
Matte Black, Gloss Black, Textured Black	Matte Black	Matte Black
All Others	Matte Black	Same Color as Fixture
Custom Color	Contact Factory	Contact Factory

PAINT TIMES

TIER	COST	AVERAGE PAINT TIME*
Tier 1 - Standard Finishes	\$	⌚
Tier 2 - Typical Finishes	\$\$	⌚⌚
Custom Color	Contact Factory	Contact Factory

*CONTACT FACTORY FOR SPECIFIC PRODUCT LEAD TIMES

TIER 1 - STANDARD FINISHES



TIER 2 - TYPICAL FINISHES



CUSTOM COLOR FINISHES

CONTACT FACTORY

CC
Custom Color



*UNAVAILABLE FOR WET LOCATION