



PROJECT: _____
 QUANTITY: _____ TYPE: _____

6" MODULAR ACCENT LIGHT

**FLUSH FLAT FLANGE / REGRESSED BEVELED FLANGE /
 REGRESSED RAZOR EDGE FLANGELESS**

LED SERIES / MULTI-MODULE / 4 × 5000 LUMENS / 4" DIAMETER MODULES

RC6-FT4PC / RT4PC / NF4PC

APPLICATION

RC series modular fixture for retail, residential and commercial accent lighting.

FEATURES

Flush Flat Flange for all ceiling types. Regressed Beveled Flanged for clean finished appearance. Regressed Razor Edge Flangeless for plaster ceilings install. Fixture available with 1-4 modules. Fixture modules rotate 359°, lock and tilt to 30° with 1" pull-down for optimal aiming. Easy driver and j-box access. Multi-bar adjustable mounting brackets. Posi-lock trim attachment. Front loading lamp bezel accepts up to two lens/louwer options.

TRIM FINISH

A variety of architectural powdercoat finishes for interior of fixture and trim are available.

ELECTRONICS

LED system features state of the art, high efficiency LEDs providing consistent stable color with excellent CCT control over the life of the light engine. Base 80 min CRI with 3-step MacAdam ellipse binning. High CRI of 90 min is also available as a standard option. A variety of electronic 120/277V and dimming options are available.

CONSTRUCTION

Housing constructed of #20 ga. galvanized steel and powdercoated to resist corrosion. Trim fabricated from aluminum extrusion and finished to specification.

CODE COMPLIANCE

BAA Compliant. Non-IC rated. ETL certified to meet US and Canadian standards. Suitable for dry or damp locations. Manufactured and tested to UL standards No. 1598/8750.



SERIES	LUMENS ¹	CCT	BEAM ³	DRIVER / VOLTAGE ⁴	OPTIONS ⁵	INTERIOR	TRIM ⁷	FINISHES	BAR HANGERS
FLUSH FLAT FLANGE	10L 700 Lm	80 CRI	ND 16°	D1 1% 0-10V, 120V	LENS	MWI Matte White Interior	FLANGED	MWMF Matte White	BH27 27" Flat Bar
RC66FT4PC (1 MODULE)	20L 1400 Lm	27K 2700K	MD 26°	D2 1% 0-10V, 277V	NL No Lens	MBI Matte Black Interior	FT066	MBMF Matte Black	CB24 24" C-Channel
RC612FT4PC (2 MODULES)	30L 2000 Lm	30K 3000K	WD 36°		SO35 Solite Diffusion	PTI Platinum Silver Interior	FT0612	PTMF Platinum Silver	CB48 48" C-Channel
RC618FT4PC (3 MODULES)	40L 2750 Lm	35K 3500K	XW 56°		GL35 Clear	BZI Bronze Interior	FT0618	BZMF Bronze	
RC624FT4PC (4 MODULES)	50L ² 3500 Lm	40K 4000K			FG35 Frosted	CCI Custom Color Interior	FT0624	CC Custom Color	
					SK35 Linear		BEVELED FLANGE		
BEVELED FLANGE		90 CRI			HL35 Hex Louver	Reference Color Sheet Located on Product Webpage For Full List of Available Colors.	RT266		
RC66RT4PC (1 MODULE)					SN35 ⁶ Snoot		RT2612		
RC612RT4PC (2 MODULES)		27HK 2700K					RT2618		
RC618RT4PC (3 MODULES)		30HK 3000K			OPTIONS		RT2624		
RC624RT4PC (4 MODULES)		35HK 3500K			EM Emergency Battery		FLANGELESS	FLANGELESS	
		40HK 4000K					NF166	MW Matte White	
FLANGELESS			3. Beam angles represent one module				NF1612	MB Matte Black	
RC66NF4PC (1 MODULE)	1. Nominal Delivered Lumens 80 CRI at Any CCT with ND, No Lens - Per Module			4. Contact Factory for Additional Options	5. See Product Page for Details - Only 2 options can be combined		NF1618	PT Platinum Silver	
RC612NF4PC (2 MODULES)	2. Marked Spacing Required 36" CTC / 0.5" TOP / 18" CTS				6. Flat Black Finish		NF1624	BZ Bronze	
RC618NF4PC (3 MODULES)								CC Custom Color	
RC624NF4PC (4 MODULES)							7. Inside Trim and Flange Will Match Color Specified	Reference Color Sheet Located on Product Webpage For Full List of Available Colors.	

EXAMPLE: RC624FT4PC10L27KMDD1S034MWIFTO624MWMFBH27

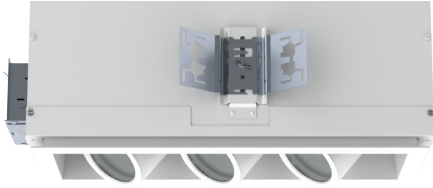


6" MODULAR ACCENT LIGHT

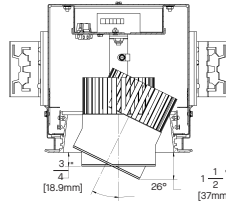


FIXTURE DIMENSIONS

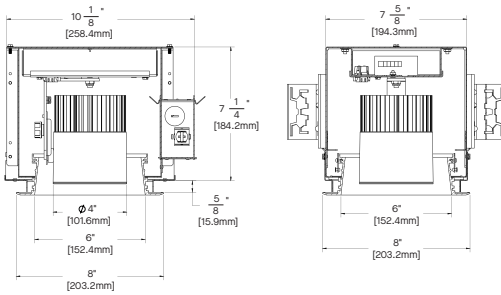
RC6_RT4PC - REGRESSED BEVEL FLANGE



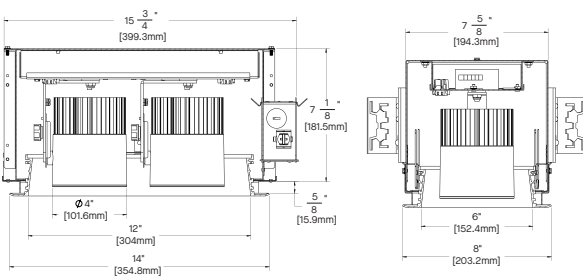
SIDE VIEW WITH PULL DOWN



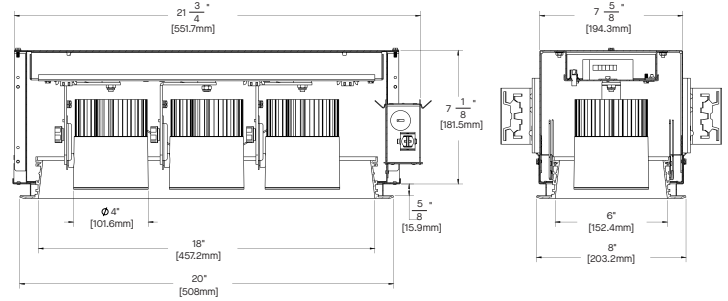
RC66RT4PC (1 MODULE)



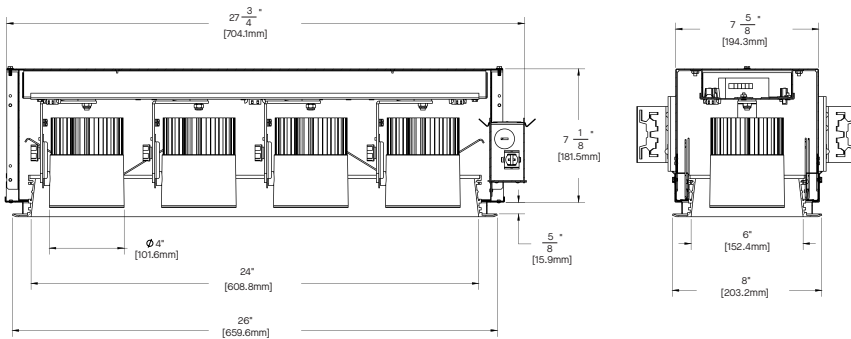
RC612RT4PC (2 MODULE)



RC618RT4PC (3 MODULE)



RC624RT4PC (4 MODULE)



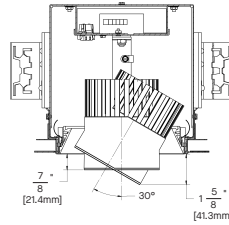
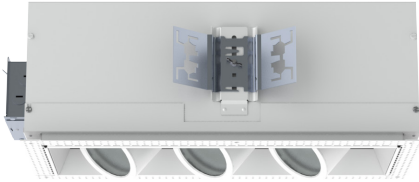
6" MODULAR ACCENT LIGHT



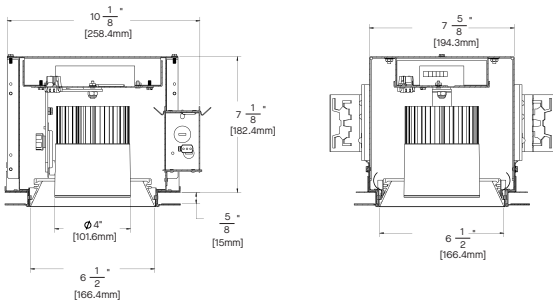
FIXTURE DIMENSIONS

RC6_NF4PC - REGRESSED RAZOR EDGE FLANGELESS

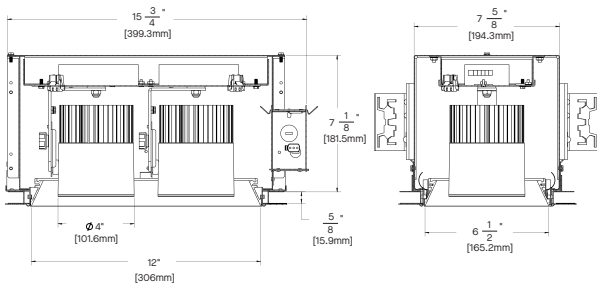
SIDE VIEW WITH PULL DOWN



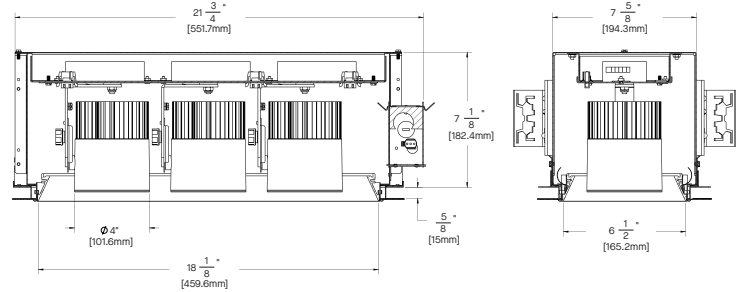
RC66NF4PC (1 MODULE)



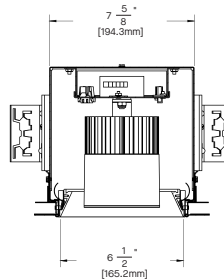
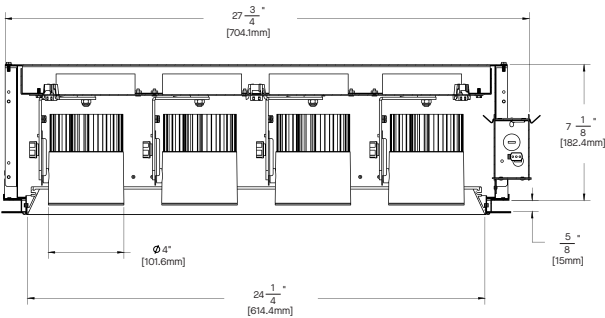
RC612NF4PC (2 MODULE)



RC618NF4PC (3 MODULE)



RC624NF4PC (4 MODULE)



6" MODULAR ACCENT LIGHT



Photometric data shown represents a single module. For multi-module fixtures, use one IES file per module to ensure accurate lighting calculations.

RC664PC 50L 35K ND xx xx NL

CANDLEPOWER CURVE TEST SP-01364	INTENSITY CANDELA 0° AZIMUTH	ZONAL LUMENS	SINGLE UNIT: PERFORMANCE HORIZONTAL FOOTCANDLES INITIAL DOWNLIGHT ONLY				MULTIPLE UNITS: PERFORMANCE 80/50/20% REFLECTANCES HORIZONTAL FOOTCANDLES AND WATTS/SQ FT										
			Mounting Distance	FC at Beam Center	Diameter at Beam Angle	FC at Beam Edge	Ceiling Height	Fixture Spacing	RCR 4		RCR 6						
	0°	0° - 10°	1260	35%													
	0°	0° - 20°	2487	69%	6.5'	439 fc	2.2'	210 fc	18'	4'	210	2.16	196	2.17			
	5°	0° - 30°	3208	90%	7.5'	330 fc	2.6'	158 fc	22'	5'	129	1.33	120	1.34			
	15°	0° - 40°	3408	95%	8.5'	257 fc	2.9'	123 fc	26'	6'	87	0.90	81	0.90			
	25°	0° - 60°	3478	97%	10.0'	186 fc	3.4'	89 fc	Delivered Illuminance Rating: (DIR)		97 FC per W/Sq. Ft.		90 FC per W/Sq. Ft.				
	35°	0° - 80°	3559	99%	12.0'	129 fc	4.1'	62 fc	1' Suspension Length to luminous aperture Square rooms used for multiple units: RCR 4: Length & Width = Ceiling Ht. - 3.5' x 2.50 RCR 6: Length & Width = Ceiling Ht. - 3.5' x 1.66 * Average Initial Footcandles at 2.5' Above Floor								
	45°	0° - 90°	3571	100%	14.0'	95 fc	4.8'	45 fc									
	55°				16.0'	73 fc	5.5'	35 fc									
	90°				20.0'	46 fc	6.9'	22 fc									
		Total	3580	100%													

Delivered Lumens: 3580
Luminaire Watts: 35
LER: 102.29

CP at 0° (Nadir): 18567
CRI: 80

Beam Angle: 20°
Spacing Ratio: 0.33

Lumen Multiplier: 10L x 0.20, 20L x 0.40, 30L x 0.60, 40L x 0.80
CCT Multiplier: 27K x 0.95, 30K x 0.98, 40K x 1.03

RC66_4PC 50L 35K MD xx xx NL

CANDLEPOWER CURVE TEST SP-01362	INTENSITY CANDELA 0° AZIMUTH	ZONAL LUMENS	SINGLE UNIT: PERFORMANCE HORIZONTAL FOOTCANDLES INITIAL DOWNLIGHT ONLY				MULTIPLE UNITS: PERFORMANCE 80/50/20% REFLECTANCES HORIZONTAL FOOTCANDLES AND WATTS/SQ FT							
			Mounting Distance	FC at Beam Center	Diameter at Beam Angle	FC at Beam Edge	Ceiling Height	Fixture Spacing	RCR 3		RCR 5			
	0°	0° - 10°	992	29%										
	0°	0° - 20°	2321	67%	6.5'	314 fc	2.8'	147 fc	18'	6"	94	0.96	93	1.04
	5°	0° - 30°	3104	89%	7.5'	236 fc	3.2'	110 fc	22'	7"	73	0.75	57	0.64
	15°	0° - 40°	3306	95%	8.5'	184 fc	3.6'	86 fc	26'	8"	49	0.51	56	0.62
	25°	0° - 60°	3382	97%	10.0'	133 fc	4.3'	62 fc	Delivered Illuminance Rating: (DIR)		98 FC per W/Sq. Ft.		89 FC per W/Sq. Ft.	
	35°	0° - 80°	3459	99%	12.0'	92 fc	5.1'	43 fc	1' Suspension Length to luminous aperture Square rooms used for multiple units: RCR 3: Length & Width = Ceiling Ht. - 3.5' x 3.33 RCR 5: Length & Width = Ceiling Ht. - 3.5' x 2.00 * Average Initial Footcandles at 2.5' Above Floor * Exceeds Spacing Ratio by 3%					
	45°	0° - 90°	3473	100%	14.0'	68 fc	6.0'	32 fc						
	55°				16.0'	52 fc	6.8'	24 fc						
	90°				20.0'	33 fc	8.5'	16 fc						
		Total	3481	100%										

Delivered Lumens: 3481
Luminaire Watts: 35
LER: 99.46

CP at 0° (Nadir): 13276
CRI: 80

Beam Angle: 24°
Spacing Ratio: 0.40

Lumen Multiplier: 10L x 0.20, 20L x 0.40, 30L x 0.60, 40L x 0.80
CCT Multiplier: 27K x 0.95, 30K x 0.98, 40K x 1.03

HOW TO USE PERFORMANCE DATA

SINGLE UNIT	MULTIPLE UNITS
<p>Cone of Light of a single, symmetrical beam luminaire. Direct initial illumination (FC) and Beam Angle diameter directly beneath fixture; shown at different distances from aperture to horizontal plane. Calculated using Inverse Square Law.</p> $FC_H = CP \times (\cos \theta) \div D^2$ <p>Beam Diam. = ½ Beam Angle (Tan) x 2D</p> <ul style="list-style-type: none"> CP Candela at 0° (Nadir) cos θ Cosine of θ Angle D Distance (Mounting Height AFF) FC_H Footcandles, Horizontal Beam Angle Cone of light to 50% max. CP Beam Diam. Pattern of light at Beam Angle 	<p>Square grid layout of multiple luminaires in unfurnished, square rooms of different proportions (Room Cavity Ratios) with 80/50/20% room surface reflectances. 2' Suspension Length to aperture. Initial average illumination (FC) calculated at 2.5' above floor, using Zonal Cavity Method. W/Sq. Ft. of layout shown for each ceiling height and RCR.</p> <p>Delivered Illuminance Rating (DIR*): System performance indicator expressed as ratio of approximate initial FC per W/Sq. Ft. delivered to horizontal plane below, for the range of ceiling heights indicated.</p> <ul style="list-style-type: none"> To estimate FC for Fixture Spacing that is different than shown (do not exceed Spacing Ratio): $FC = \text{Chart Spacing}^2 \div \text{Different Spacing}^2 \times \text{Chart FC}$ To estimate Sq. Ft. per fixture for a specific target FC: $\text{Sq. Ft.} / \text{Fixture} = \text{Chart FC} \times \text{Chart Spacing}^2 \div \text{Target FC}$ To estimate Fixture Quantity in a room: $\text{Fixture Qty.} = \text{Sq. Ft. of Rm.} \div \text{Sq. Ft. per fixture}$ To estimate Watts/Sq. Ft.: $\text{W/Sq. Ft.} = \text{Luminaire Watts} \times \text{Qty.} \div \text{Sq. Ft. of Rm.}$

6" MODULAR ACCENT LIGHT



RC66_4PC 50L 35K WD xx xx NL

CANDLEPOWER CURVE TEST SP-01366	INTENSITY CANDELA 0° AZIMUTH	ZONAL LUMENS	SINGLE UNIT: PERFORMANCE HORIZONTAL FOOTCANDLES INITIAL DOWNLIGHT ONLY				MULTIPLE UNITS: PERFORMANCE 80/50/20% REFLECTANCES HORIZONTAL FOOTCANDLES AND WATTS/SQ FT							
			Mounting Distance	FC at Beam Center	Diameter at Beam Angle	FC at Beam Edge	Ceiling Height	Fixture Spacing	RCR 2		RCR 4			
	0°	0° - 10°	557	15%	6.5'	140 fc	5.9'	53 fc	14'	6'	108	1.03	76	0.81
	0°	0° - 20°	1892	52%	7.5'	105 fc	6.9'	39 fc	18'	8'	57	0.54	40	0.43
	5°	0° - 30°	3128	86%	8.5'	82 fc	7.8'	31 fc	22'	10'	35	0.33	25	0.26
	15°	0° - 40°	3445	95%	10.0'	59 fc	9.2'	22 fc	Delivered Illuminance Rating: (DIR)		105 FC per W/Sq. Ft.		94 FC per W/Sq. Ft.	
	25°	0° - 60°	3526	97%	12.0'	41 fc	11.0'	15 fc	1' Suspension Length to luminous aperture Square rooms used for multiple units: RCR 2: Length & Width = Ceiling Ht. - 3.5' x 5.00 RCR 4: Length & Width = Ceiling Ht. - 3.5' x 2.50 * Average Initial Footcandles at 2.5' Above Floor					
	35°	0° - 80°	3597	99%	14.0'	30 fc	12.8'	11 fc						
	45°	0° - 90°	3610	100%	16.0'	23 fc	14.6'	9 fc						
	55°	90°	2		20.0'	15 fc	18.3'	6 fc						
		Total	3620	100%										

Delivered Lumens: 3620
Luminaire Watts: 35
LER: 103.43

CP at 0° (Nadir): 5899
CRI: 80

Beam Angle: 49°
Spacing Ratio: 0.78

Lumen Multiplier: 10L x 0.20, 20L x 0.40, 30L x 0.60, 40L x 0.80
CCT Multiplier: 27K x 0.95, 30K x 0.98, 40K x 1.03

RC66_4PC 50L 35K XW xx xx NL

CANDLEPOWER CURVE TEST SP-01368	INTENSITY CANDELA 0° AZIMUTH	ZONAL LUMENS	SINGLE UNIT: PERFORMANCE HORIZONTAL FOOTCANDLES INITIAL DOWNLIGHT ONLY				MULTIPLE UNITS: PERFORMANCE 80/50/20% REFLECTANCES HORIZONTAL FOOTCANDLES AND WATTS/SQ FT							
			Mounting Distance	FC at Beam Center	Diameter at Beam Angle	FC at Beam Edge	Ceiling Height	Fixture Spacing	RCR 2		RCR 4			
	0°	0° - 10°	410	11%	6.5'	103 fc	7.2'	34 fc	14'	8'	48	0.46	42	0.46
	0°	0° - 20°	1559	43%	7.5'	77 fc	8.3'	26 fc	18'	10'	34	0.33	22	0.24
	5°	0° - 30°	2964	82%	8.5'	60 fc	9.4'	20 fc	22'	12'	21	0.20	24	0.26
	15°	0° - 40°	3444	95%	10.0'	43 fc	11.1'	15 fc	Delivered Illuminance Rating: (DIR)		105 FC per W/Sq. Ft.		93 FC per W/Sq. Ft.	
	25°	0° - 60°	3541	98%	12.0'	30 fc	13.3'	10 fc	1' Suspension Length to luminous aperture Square rooms used for multiple units: RCR 2: Length & Width = Ceiling Ht. - 3.5' x 5.00 RCR 4: Length & Width = Ceiling Ht. - 3.5' x 2.50 * Average Initial Footcandles at 2.5' Above Floor					
	35°	0° - 80°	3608	99%	14.0'	22 fc	15.5'	7 fc						
	45°	0° - 90°	3621	100%	16.0'	17 fc	17.7'	6 fc						
	55°	90°	2		20.0'	11 fc	22.1'	4 fc						
		Total	3630	100%										

Delivered Lumens: 3630
Luminaire Watts: 35
LER: 103.71

CP at 0° (Nadir): 4345
CRI: 80

Beam Angle: 58°
Spacing Ratio: 0.96

Lumen Multiplier: 10L x 0.20, 20L x 0.40, 30L x 0.60, 40L x 0.80
CCT Multiplier: 27K x 0.95, 30K x 0.98, 40K x 1.03

HOW TO USE PERFORMANCE DATA

SINGLE UNIT	MULTIPLE UNITS
<p>Cone of Light of a single, symmetrical beam luminaire. Direct initial illumination (FC) and Beam Angle diameter directly beneath fixture; shown at different distances from aperture to horizontal plane. Calculated using Inverse Square Law.</p> $FC_H = CP \times (\cos \theta) \div D^2$ <p>Beam Diam. = ½ Beam Angle (Tan) x 2D</p> <ul style="list-style-type: none"> • CP Candela at 0° (Nadir) • Cos θ Cosine of θ Angle • D Distance (Mounting Height AFF) • FC_H Footcandles, Horizontal • Beam Angle Cone of light to 50% max. CP • Beam Diam. Pattern of light at Beam Angle 	<p>Square grid layout of multiple luminaires in unfurnished, square rooms of different proportions (Room Cavity Ratios) with 80/50/20% room surface reflectances. 2' Suspension Length to aperture. Initial average illumination (FC) calculated at 2.5' above floor, using Zonal Cavity Method. W/Sq. Ft. of layout shown for each ceiling height and RCR.</p> <p>Delivered Illuminance Rating (DIR*): System performance indicator expressed as ratio of approximate initial FC per W/Sq. Ft. delivered to horizontal plane below, for the range of ceiling heights indicated.</p> <ul style="list-style-type: none"> • To estimate FC for Fixture Spacing that is different than shown (do not exceed Spacing Ratio): $FC = \text{Chart Spacing}^2 \div \text{Different Spacing}^2 \times \text{Chart FC}$ • To estimate Sq. Ft. per fixture for a specific target FC: $\text{Sq. Ft.} / \text{Fixture} = \text{Chart FC} \times \text{Chart Spacing}^2 \div \text{Target FC}$ <ul style="list-style-type: none"> • To estimate Fixture Quantity in a room: $\text{Fixture Qty.} = \text{Sq. Ft. of Rm.} \div \text{Sq. Ft. per fixture}$ • To estimate Watts/Sq. Ft.: $\text{W/Sq. Ft.} = \text{Luminaire Watts} \times \text{Qty.} \div \text{Sq. Ft. of Rm.}$