



DECORATIVE

# GIANT GLOBE RADIUS FITTER PENDANT

DAMP LOCATION  
GLOBO

PROJECT: \_\_\_\_\_

QUANTITY: \_\_\_\_\_ TYPE: \_\_\_\_\_



GPRF1600GV  
PT - Platinum Silver  
GG - Gloss Finish Globe



GPRF2000GV  
AZ - Anodic Bronze  
GG - Gloss Finish Globe



GPRF3600GV  
MB - Matte Black  
GG - Gloss Finish Globe



GPRF2400GV  
GH - Graphite  
GG - Gloss Finish Globe



GPRF1200GV  
MW - Matte White  
MG - Matte Finish Globe

SERIES <sup>1</sup>	LUMENS <sup>3/4</sup>	CCT	OPTIONS <sup>5</sup>	DRIVER / DIMMING <sup>6</sup>	MOUNTING <sup>8</sup>	FINISH <sup>11</sup>	MOUNTING OPTION <sup>13</sup>
GPRF1200GV GPRF1600GV GPRF2000GV GPRF2400GV GPRF3600GV <sup>2</sup>	15L 1500 Lm 27L 2700 Lm 37L 3700 Lm 55L 5500 Lm	27K 2700K 30K 3000K 35K 3500K 40K 4000K	GG Gloss Finish Globe  MG Matte Finish Globe  Standard Globe Finish is Gloss	EX Electronic Driver, 120V/277V DX 1% 0-10V, 120V/277V DS2W1 ELV/MLV, 120V DL3EX <sup>7</sup> 1%, Lutron® EcoSystem®, Fades to Black, 120V/277V	RDC5 Small Driver Canopy CP13 Large Driver Canopy DC9 Decorative Canopy HM <sup>9</sup> Hang Straight PM <sup>9</sup> Rigid Pendant Mount CD <sup>9</sup> Cord / Cable Mount CM <sup>2/9</sup> Cord Mount EMCR <sup>10</sup> 10W Canopy Mounted EM EMRM 7W Remote EM EMEN 7W Remote with Enclosure	MW <sup>12</sup> Matte White MB <sup>12</sup> Matte Black PT <sup>12</sup> Platinum Silver CC Custom Color	FCHMA Field Cuttable Mounting Kit for Hang Mount Fixtures
	CLUSTER CLU <sup>4</sup> Cluster					See <a href="#">Color Sheet</a> for Full List of Available Colors	

EXAMPLE: GPRF2000GV15L27KGGEX/RDC5CD36MW

**NOTES:**

1 Visual Brightness will Vary Between Globe Sizes with Equal Lumen Outputs. Please Refer to Note 3 if You Require All Sizes in a Series to be of Equal Brightness 2 CM Cord Mount option is not available on GPRF3600GV 3 Nominal Source Lumens at 35K | Light output varies by globe size 4 For applications using multiple globe diameters, we recommend the CLUSTER option to maintain uniform perceived brightness across fixtures, the CLUSTER configuration automatically adjusts output based on globe size for consistent illumination | Available with EX and DX Only 5 Standard Globe Finish is Gloss 6 Contact Factory for Additional Options 7 Available with CP13 and DC9 Only 8 See Mounting Page for Details on Components and Finishes 9 Specify Length in Inches: See Mounting Page for Available Lengths 10 EMCR Replaces RDC5, CP13 or DC9 11 Reference Color Sheet Located on Product Webpage for Full List of Available Colors 12 Standard Finishes 13 Field Cuttable Mounting Kit only Available with HM Stem





# GIANT GLOBE RADIUS FITTER PENDANT DAMP LOCATION GLOBO

LUMENS / WATTAGE DATA (GLOSS GLOBE)							
INDIVIDUAL					CLUSTER		
PART NUMBER	SOURCE LUMENS <sup>1</sup>	DELIVERED LUMENS <sup>2</sup>	SYSTEM WATTS	LPW	PART NUMBER	SOURCE LUMENS <sup>1</sup>	SYSTEM WATTS
GPRF2000GV15L	1500	1340	10	133	GPRF1200GV	512	3.35
GPRF2000GV27L	2700	2333	18	130	GPRF1600GV	1050	6.8
GPRF2000GV37L	3700	3424	26	132	GPRF2000GV	1835	12.2
GPRF2000GV55L	5500	4963	39	127	GPRF2400GV	2346	15.8
					GPRF3600GV	5012	36.6

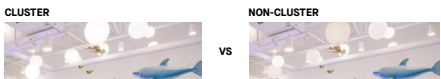
<sup>1</sup> Nominal Source Lumens at 35K    <sup>2</sup> Nominal Delivered Lumens at 35K

### APPLICATION

Seamless opal white acrylic globe fixture for area lighting with Radius Style Fitter. GV Series is designed for covered or indoor dry/damp locations.

### FEATURES

SpecLume series fixtures offer contemporary style with functional luminaire performance. All fixtures are designed and manufactured in our factory. Five size globes to choose from. Smooth radius fitter. Driver mounted in RDC5 ceiling canopy. Wide range of combinations for illumination, mounting and finishes allows for creative fixture specification and design. Fixtures may be pendant mounted with cable/cord or rigid stem. LED module and driver are serviceable for future replacement. Our globe fixtures are available in multiple diameters with standardized lumen packages: 15L, 27L, 37L, 55L, and a Cluster option. It's important to note that the same lumen output will appear brighter in smaller globes and dimmer in larger ones due to the difference in surface area and light distribution. For example, choosing 15L in both a 12" and a 20" globe will not produce the same visual brightness — the larger globe will look dimmer. To ensure a consistent appearance across varying sizes, we offer the Cluster configuration for matching light output across sizes. It adjusts the internal light source to scale brightness appropriately for each diameter, giving all sizes a uniform illuminated look.



### FINISH

Multi-stage polyester powder-coat process applied on our dedicated paint lines. A wide variety of standard and custom finishes are available. All exposed materials are chromate pretreated to resist corrosion.

### ELECTRONICS

GV LED system features high brightness white Samsung LED's. 3-step MacAdam Ellipse binning. Standard CRI: 80+. Higher CRI, R9 and custom LED configurations are available; consult factory. Variety of electronic 120V/277V and dimming drivers.

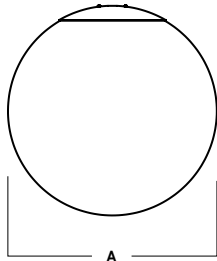
### CONSTRUCTION

Fixture shades are spun in our factory from 0.063 high purity aluminum. Globe is seamless formed .080 white opal acrylic. Color globes available, contact factory.

### CODE COMPLIANCE

BAA compliant. ETL certified to meet US and Canadian standards. Suitable for dry or damp locations. Manufactured and tested to UL standards No. 1598/8750.

## HOUSING DIMENSIONS



Dimensioned with GPRF2000GV

SERIES	A	WEIGHT
GPRF1200GV	12.0	9.5 lbs
GPRF1600GV	16.0	11.5 lbs
GPRF2000GV	20.0	12.5 lbs
GPRF2400GV	24.0	14.5 lbs
GPRF3600GV	36.0	16.5 lbs

## SERIES SIZES

(GLOSS GLOBE PICTURED)

GPRF1200GV



GPRF1600GV



GPRF2000GV



GPRF2400GV



GPRF3600GV



## CEILING MOUNT

(SEE MOUNTING PAGES FOR MORE OPTIONS & CANOPY DIMENSIONS.)

### HM / PM

HANG STRAIGHT / PENDANT



GPRF2000GV SHOWN WITH RDC5PM

### CD

CORD / CABLE MOUNT



GPRF2000GV SHOWN WITH RDC5CD

### CM

CORD MOUNT



GPRF2000GV SHOWN WITH RDC5CM





# GIANT GLOBE RADIUS FITTER PENDANT DAMP LOCATION

GLOBO / PHOTOMETRIC DATA (Gloss Globe)

DECORATIVE

GPRF1200GV 55L 35K XX MW

CANDLEPOWER CURVE TEST SP-00647_3	INTENSITY CANDELA 0° AZIMUTH	ZONAL LUMENS	SINGLE UNIT: PERFORMANCE DIRECT FOOTCANDLES BASED ON DOWNLIGHT ONLY	MULTIPLE UNITS: PERFORMANCE 80/50/20% REFLECTANCES INITIAL FOOTCANDLES AND WATTS PER SQUARE FOOT																													
	0°	0° - 10° 50 1%	Mounting Height AFF	FC at Center on Floor	<table border="1"> <thead> <tr> <th rowspan="2">Ceiling Height</th> <th rowspan="2">Fixture Spacing</th> <th colspan="2">RCR 2</th> <th colspan="2">RCR 4</th> </tr> <tr> <th>FC *</th> <th>W/Sq. Ft.</th> <th>FC *</th> <th>W/Sq. Ft.</th> </tr> </thead> <tbody> <tr> <td>9'</td> <td>6'</td> <td>67</td> <td>0.83</td> <td>50</td> <td>0.83</td> </tr> <tr> <td>12'</td> <td>8'</td> <td>44</td> <td>0.54</td> <td>21</td> <td>0.35</td> </tr> <tr> <td>16'</td> <td>10'</td> <td>29</td> <td>0.36</td> <td>22</td> <td>0.36</td> </tr> </tbody> </table>	Ceiling Height	Fixture Spacing	RCR 2		RCR 4		FC *	W/Sq. Ft.	FC *	W/Sq. Ft.	9'	6'	67	0.83	50	0.83	12'	8'	44	0.54	21	0.35	16'	10'	29	0.36	22	0.36
	Ceiling Height	Fixture Spacing	RCR 2					RCR 4																									
			FC *	W/Sq. Ft.	FC *	W/Sq. Ft.																											
	9'	6'	67	0.83	50	0.83																											
	12'	8'	44	0.54	21	0.35																											
	16'	10'	29	0.36	22	0.36																											
	0°	0° - 30° 443 10%	5.5'	17 fc	<table border="1"> <thead> <tr> <th rowspan="2">Ceiling Height</th> <th rowspan="2">Fixture Spacing</th> <th colspan="2">RCR 2</th> <th colspan="2">RCR 4</th> </tr> <tr> <th>FC *</th> <th>W/Sq. Ft.</th> <th>FC *</th> <th>W/Sq. Ft.</th> </tr> </thead> <tbody> <tr> <td>9'</td> <td>6'</td> <td>67</td> <td>0.83</td> <td>50</td> <td>0.83</td> </tr> <tr> <td>12'</td> <td>8'</td> <td>44</td> <td>0.54</td> <td>21</td> <td>0.35</td> </tr> <tr> <td>16'</td> <td>10'</td> <td>29</td> <td>0.36</td> <td>22</td> <td>0.36</td> </tr> </tbody> </table>	Ceiling Height	Fixture Spacing	RCR 2		RCR 4		FC *	W/Sq. Ft.	FC *	W/Sq. Ft.	9'	6'	67	0.83	50	0.83	12'	8'	44	0.54	21	0.35	16'	10'	29	0.36	22	0.36
	Ceiling Height	Fixture Spacing	RCR 2					RCR 4																									
			FC *	W/Sq. Ft.	FC *	W/Sq. Ft.																											
	9'	6'	67	0.83	50	0.83																											
	12'	8'	44	0.54	21	0.35																											
	16'	10'	29	0.36	22	0.36																											
	20°	0° - 60° 1665 37%	6.5'	12 fc	<table border="1"> <thead> <tr> <th rowspan="2">Ceiling Height</th> <th rowspan="2">Fixture Spacing</th> <th colspan="2">RCR 2</th> <th colspan="2">RCR 4</th> </tr> <tr> <th>FC *</th> <th>W/Sq. Ft.</th> <th>FC *</th> <th>W/Sq. Ft.</th> </tr> </thead> <tbody> <tr> <td>9'</td> <td>6'</td> <td>67</td> <td>0.83</td> <td>50</td> <td>0.83</td> </tr> <tr> <td>12'</td> <td>8'</td> <td>44</td> <td>0.54</td> <td>21</td> <td>0.35</td> </tr> <tr> <td>16'</td> <td>10'</td> <td>29</td> <td>0.36</td> <td>22</td> <td>0.36</td> </tr> </tbody> </table>	Ceiling Height	Fixture Spacing	RCR 2		RCR 4		FC *	W/Sq. Ft.	FC *	W/Sq. Ft.	9'	6'	67	0.83	50	0.83	12'	8'	44	0.54	21	0.35	16'	10'	29	0.36	22	0.36
	Ceiling Height	Fixture Spacing	RCR 2					RCR 4																									
			FC *	W/Sq. Ft.	FC *	W/Sq. Ft.																											
	9'	6'	67	0.83	50	0.83																											
	12'	8'	44	0.54	21	0.35																											
16'	10'	29	0.36	22	0.36																												
40°	90° - 120° 1057 24%	7.5'	9 fc	<table border="1"> <thead> <tr> <th rowspan="2">Ceiling Height</th> <th rowspan="2">Fixture Spacing</th> <th colspan="2">RCR 2</th> <th colspan="2">RCR 4</th> </tr> <tr> <th>FC *</th> <th>W/Sq. Ft.</th> <th>FC *</th> <th>W/Sq. Ft.</th> </tr> </thead> <tbody> <tr> <td>9'</td> <td>6'</td> <td>67</td> <td>0.83</td> <td>50</td> <td>0.83</td> </tr> <tr> <td>12'</td> <td>8'</td> <td>44</td> <td>0.54</td> <td>21</td> <td>0.35</td> </tr> <tr> <td>16'</td> <td>10'</td> <td>29</td> <td>0.36</td> <td>22</td> <td>0.36</td> </tr> </tbody> </table>	Ceiling Height	Fixture Spacing	RCR 2		RCR 4		FC *	W/Sq. Ft.	FC *	W/Sq. Ft.	9'	6'	67	0.83	50	0.83	12'	8'	44	0.54	21	0.35	16'	10'	29	0.36	22	0.36	
Ceiling Height	Fixture Spacing	RCR 2					RCR 4																										
		FC *	W/Sq. Ft.	FC *	W/Sq. Ft.																												
9'	6'	67	0.83	50	0.83																												
12'	8'	44	0.54	21	0.35																												
16'	10'	29	0.36	22	0.36																												
60°	90° - 150° 1264 28%	8.5'	7 fc	<table border="1"> <thead> <tr> <th rowspan="2">Ceiling Height</th> <th rowspan="2">Fixture Spacing</th> <th colspan="2">RCR 2</th> <th colspan="2">RCR 4</th> </tr> <tr> <th>FC *</th> <th>W/Sq. Ft.</th> <th>FC *</th> <th>W/Sq. Ft.</th> </tr> </thead> <tbody> <tr> <td>9'</td> <td>6'</td> <td>67</td> <td>0.83</td> <td>50</td> <td>0.83</td> </tr> <tr> <td>12'</td> <td>8'</td> <td>44</td> <td>0.54</td> <td>21</td> <td>0.35</td> </tr> <tr> <td>16'</td> <td>10'</td> <td>29</td> <td>0.36</td> <td>22</td> <td>0.36</td> </tr> </tbody> </table>	Ceiling Height	Fixture Spacing	RCR 2		RCR 4		FC *	W/Sq. Ft.	FC *	W/Sq. Ft.	9'	6'	67	0.83	50	0.83	12'	8'	44	0.54	21	0.35	16'	10'	29	0.36	22	0.36	
Ceiling Height	Fixture Spacing	RCR 2					RCR 4																										
		FC *	W/Sq. Ft.	FC *	W/Sq. Ft.																												
9'	6'	67	0.83	50	0.83																												
12'	8'	44	0.54	21	0.35																												
16'	10'	29	0.36	22	0.36																												
80°	0° - 90° 3193 72%	10.0'	5 fc	<table border="1"> <thead> <tr> <th rowspan="2">Ceiling Height</th> <th rowspan="2">Fixture Spacing</th> <th colspan="2">RCR 2</th> <th colspan="2">RCR 4</th> </tr> <tr> <th>FC *</th> <th>W/Sq. Ft.</th> <th>FC *</th> <th>W/Sq. Ft.</th> </tr> </thead> <tbody> <tr> <td>9'</td> <td>6'</td> <td>67</td> <td>0.83</td> <td>50</td> <td>0.83</td> </tr> <tr> <td>12'</td> <td>8'</td> <td>44</td> <td>0.54</td> <td>21</td> <td>0.35</td> </tr> <tr> <td>16'</td> <td>10'</td> <td>29</td> <td>0.36</td> <td>22</td> <td>0.36</td> </tr> </tbody> </table>	Ceiling Height	Fixture Spacing	RCR 2		RCR 4		FC *	W/Sq. Ft.	FC *	W/Sq. Ft.	9'	6'	67	0.83	50	0.83	12'	8'	44	0.54	21	0.35	16'	10'	29	0.36	22	0.36	
Ceiling Height	Fixture Spacing	RCR 2					RCR 4																										
		FC *	W/Sq. Ft.	FC *	W/Sq. Ft.																												
9'	6'	67	0.83	50	0.83																												
12'	8'	44	0.54	21	0.35																												
16'	10'	29	0.36	22	0.36																												
90°	90° - 180° 1269 28%	12.0'	4 fc	<table border="1"> <thead> <tr> <th rowspan="2">Ceiling Height</th> <th rowspan="2">Fixture Spacing</th> <th colspan="2">RCR 2</th> <th colspan="2">RCR 4</th> </tr> <tr> <th>FC *</th> <th>W/Sq. Ft.</th> <th>FC *</th> <th>W/Sq. Ft.</th> </tr> </thead> <tbody> <tr> <td>9'</td> <td>6'</td> <td>67</td> <td>0.83</td> <td>50</td> <td>0.83</td> </tr> <tr> <td>12'</td> <td>8'</td> <td>44</td> <td>0.54</td> <td>21</td> <td>0.35</td> </tr> <tr> <td>16'</td> <td>10'</td> <td>29</td> <td>0.36</td> <td>22</td> <td>0.36</td> </tr> </tbody> </table>	Ceiling Height	Fixture Spacing	RCR 2		RCR 4		FC *	W/Sq. Ft.	FC *	W/Sq. Ft.	9'	6'	67	0.83	50	0.83	12'	8'	44	0.54	21	0.35	16'	10'	29	0.36	22	0.36	
Ceiling Height	Fixture Spacing	RCR 2					RCR 4																										
		FC *	W/Sq. Ft.	FC *	W/Sq. Ft.																												
9'	6'	67	0.83	50	0.83																												
12'	8'	44	0.54	21	0.35																												
16'	10'	29	0.36	22	0.36																												
100°	0° - 90° 3193 72%	14.0'	3 fc	<table border="1"> <thead> <tr> <th rowspan="2">Ceiling Height</th> <th rowspan="2">Fixture Spacing</th> <th colspan="2">RCR 2</th> <th colspan="2">RCR 4</th> </tr> <tr> <th>FC *</th> <th>W/Sq. Ft.</th> <th>FC *</th> <th>W/Sq. Ft.</th> </tr> </thead> <tbody> <tr> <td>9'</td> <td>6'</td> <td>67</td> <td>0.83</td> <td>50</td> <td>0.83</td> </tr> <tr> <td>12'</td> <td>8'</td> <td>44</td> <td>0.54</td> <td>21</td> <td>0.35</td> </tr> <tr> <td>16'</td> <td>10'</td> <td>29</td> <td>0.36</td> <td>22</td> <td>0.36</td> </tr> </tbody> </table>	Ceiling Height	Fixture Spacing	RCR 2		RCR 4		FC *	W/Sq. Ft.	FC *	W/Sq. Ft.	9'	6'	67	0.83	50	0.83	12'	8'	44	0.54	21	0.35	16'	10'	29	0.36	22	0.36	
Ceiling Height	Fixture Spacing	RCR 2					RCR 4																										
		FC *	W/Sq. Ft.	FC *	W/Sq. Ft.																												
9'	6'	67	0.83	50	0.83																												
12'	8'	44	0.54	21	0.35																												
16'	10'	29	0.36	22	0.36																												
120°	90° - 180° 1269 28%	16.0'	2 fc	<table border="1"> <thead> <tr> <th rowspan="2">Ceiling Height</th> <th rowspan="2">Fixture Spacing</th> <th colspan="2">RCR 2</th> <th colspan="2">RCR 4</th> </tr> <tr> <th>FC *</th> <th>W/Sq. Ft.</th> <th>FC *</th> <th>W/Sq. Ft.</th> </tr> </thead> <tbody> <tr> <td>9'</td> <td>6'</td> <td>67</td> <td>0.83</td> <td>50</td> <td>0.83</td> </tr> <tr> <td>12'</td> <td>8'</td> <td>44</td> <td>0.54</td> <td>21</td> <td>0.35</td> </tr> <tr> <td>16'</td> <td>10'</td> <td>29</td> <td>0.36</td> <td>22</td> <td>0.36</td> </tr> </tbody> </table>	Ceiling Height	Fixture Spacing	RCR 2		RCR 4		FC *	W/Sq. Ft.	FC *	W/Sq. Ft.	9'	6'	67	0.83	50	0.83	12'	8'	44	0.54	21	0.35	16'	10'	29	0.36	22	0.36	
Ceiling Height	Fixture Spacing	RCR 2					RCR 4																										
		FC *	W/Sq. Ft.	FC *	W/Sq. Ft.																												
9'	6'	67	0.83	50	0.83																												
12'	8'	44	0.54	21	0.35																												
16'	10'	29	0.36	22	0.36																												
140°	Total 4462 100%			<table border="1"> <thead> <tr> <th rowspan="2">Ceiling Height</th> <th rowspan="2">Fixture Spacing</th> <th colspan="2">RCR 2</th> <th colspan="2">RCR 4</th> </tr> <tr> <th>FC *</th> <th>W/Sq. Ft.</th> <th>FC *</th> <th>W/Sq. Ft.</th> </tr> </thead> <tbody> <tr> <td>9'</td> <td>6'</td> <td>67</td> <td>0.83</td> <td>50</td> <td>0.83</td> </tr> <tr> <td>12'</td> <td>8'</td> <td>44</td> <td>0.54</td> <td>21</td> <td>0.35</td> </tr> <tr> <td>16'</td> <td>10'</td> <td>29</td> <td>0.36</td> <td>22</td> <td>0.36</td> </tr> </tbody> </table>	Ceiling Height	Fixture Spacing	RCR 2		RCR 4		FC *	W/Sq. Ft.	FC *	W/Sq. Ft.	9'	6'	67	0.83	50	0.83	12'	8'	44	0.54	21	0.35	16'	10'	29	0.36	22	0.36	
Ceiling Height	Fixture Spacing	RCR 2					RCR 4																										
		FC *	W/Sq. Ft.	FC *	W/Sq. Ft.																												
9'	6'	67	0.83	50	0.83																												
12'	8'	44	0.54	21	0.35																												
16'	10'	29	0.36	22	0.36																												
160°				<table border="1"> <thead> <tr> <th rowspan="2">Ceiling Height</th> <th rowspan="2">Fixture Spacing</th> <th colspan="2">RCR 2</th> <th colspan="2">RCR 4</th> </tr> <tr> <th>FC *</th> <th>W/Sq. Ft.</th> <th>FC *</th> <th>W/Sq. Ft.</th> </tr> </thead> <tbody> <tr> <td>9'</td> <td>6'</td> <td>67</td> <td>0.83</td> <td>50</td> <td>0.83</td> </tr> <tr> <td>12'</td> <td>8'</td> <td>44</td> <td>0.54</td> <td>21</td> <td>0.35</td> </tr> <tr> <td>16'</td> <td>10'</td> <td>29</td> <td>0.36</td> <td>22</td> <td>0.36</td> </tr> </tbody> </table>	Ceiling Height	Fixture Spacing	RCR 2		RCR 4		FC *	W/Sq. Ft.	FC *	W/Sq. Ft.	9'	6'	67	0.83	50	0.83	12'	8'	44	0.54	21	0.35	16'	10'	29	0.36	22	0.36	
Ceiling Height	Fixture Spacing	RCR 2					RCR 4																										
		FC *	W/Sq. Ft.	FC *	W/Sq. Ft.																												
9'	6'	67	0.83	50	0.83																												
12'	8'	44	0.54	21	0.35																												
16'	10'	29	0.36	22	0.36																												
180°				<table border="1"> <thead> <tr> <th colspan="2">Delivered Illuminance Rating: (DIR)</th> <th colspan="2">81 FC per W/Sq. Ft.</th> <th colspan="2">61 FC per W/Sq. Ft.</th> </tr> </thead> <tbody> <tr> <td colspan="6">                     1' Suspension Length to luminous aperture                      Square rooms used for multiple units:                      RCR 2: Length &amp; Width = Ceiling Ht. - 3.5' x 5.00                      RCR 4: Length &amp; Width = Ceiling Ht. - 3.5' x 2.50                      * Average Footcandles at 2.5' Above Floor                 </td> </tr> </tbody> </table>	Delivered Illuminance Rating: (DIR)		81 FC per W/Sq. Ft.		61 FC per W/Sq. Ft.		1' Suspension Length to luminous aperture Square rooms used for multiple units: RCR 2: Length & Width = Ceiling Ht. - 3.5' x 5.00 RCR 4: Length & Width = Ceiling Ht. - 3.5' x 2.50 * Average Footcandles at 2.5' Above Floor																						
Delivered Illuminance Rating: (DIR)		81 FC per W/Sq. Ft.		61 FC per W/Sq. Ft.																													
1' Suspension Length to luminous aperture Square rooms used for multiple units: RCR 2: Length & Width = Ceiling Ht. - 3.5' x 5.00 RCR 4: Length & Width = Ceiling Ht. - 3.5' x 2.50 * Average Footcandles at 2.5' Above Floor																																	

Delivered Lumens: 4462  
Luminaire Watts: 39  
LER: 114.41

CP at 0° (Nadir): 519  
CRI: 80+

Beam Angle: NaN°  
Spacing Ratio: 1.59

Lumen Multiplier: 15L x 0.27, 27L x 0.47, 37L x 0.69  
CCT Multiplier: 27K x 0.97, 30K x 0.99, 40K x 1.03

GPRF1600GV 55L 35K XX MW

CANDLEPOWER CURVE TEST SP-00647_4	INTENSITY CANDELA 0° AZIMUTH	ZONAL LUMENS	SINGLE UNIT: PERFORMANCE DIRECT FOOTCANDLES BASED ON DOWNLIGHT ONLY	MULTIPLE UNITS: PERFORMANCE 80/50/20% REFLECTANCES INITIAL FOOTCANDLES AND WATTS PER SQUARE FOOT																													
	0°	0° - 10° 44 1%	Mounting Height AFF	FC at Center on Floor	<table border="1"> <thead> <tr> <th rowspan="2">Ceiling Height</th> <th rowspan="2">Fixture Spacing</th> <th colspan="2">RCR 2</th> <th colspan="2">RCR 4</th> </tr> <tr> <th>FC *</th> <th>W/Sq. Ft.</th> <th>FC *</th> <th>W/Sq. Ft.</th> </tr> </thead> <tbody> <tr> <td>14'</td> <td>8'</td> <td>35</td> <td>0.43</td> <td>38</td> <td>0.62</td> </tr> <tr> <td>18'</td> <td>10'</td> <td>25</td> <td>0.31</td> <td>19</td> <td>0.31</td> </tr> <tr> <td>22'</td> <td>12'</td> <td>20</td> <td>0.25</td> <td>11</td> <td>0.18</td> </tr> </tbody> </table>	Ceiling Height	Fixture Spacing	RCR 2		RCR 4		FC *	W/Sq. Ft.	FC *	W/Sq. Ft.	14'	8'	35	0.43	38	0.62	18'	10'	25	0.31	19	0.31	22'	12'	20	0.25	11	0.18
	Ceiling Height	Fixture Spacing	RCR 2					RCR 4																									
			FC *	W/Sq. Ft.	FC *	W/Sq. Ft.																											
	14'	8'	35	0.43	38	0.62																											
	18'	10'	25	0.31	19	0.31																											
	22'	12'	20	0.25	11	0.18																											
	0°	0° - 30° 387 8%	6'	12 fc	<table border="1"> <thead> <tr> <th rowspan="2">Ceiling Height</th> <th rowspan="2">Fixture Spacing</th> <th colspan="2">RCR 2</th> <th colspan="2">RCR 4</th> </tr> <tr> <th>FC *</th> <th>W/Sq. Ft.</th> <th>FC *</th> <th>W/Sq. Ft.</th> </tr> </thead> <tbody> <tr> <td>14'</td> <td>8'</td> <td>35</td> <td>0.43</td> <td>38</td> <td>0.62</td> </tr> <tr> <td>18'</td> <td>10'</td> <td>25</td> <td>0.31</td> <td>19</td> <td>0.31</td> </tr> <tr> <td>22'</td> <td>12'</td> <td>20</td> <td>0.25</td> <td>11</td> <td>0.18</td> </tr> </tbody> </table>	Ceiling Height	Fixture Spacing	RCR 2		RCR 4		FC *	W/Sq. Ft.	FC *	W/Sq. Ft.	14'	8'	35	0.43	38	0.62	18'	10'	25	0.31	19	0.31	22'	12'	20	0.25	11	0.18
	Ceiling Height	Fixture Spacing	RCR 2					RCR 4																									
			FC *	W/Sq. Ft.	FC *	W/Sq. Ft.																											
	14'	8'	35	0.43	38	0.62																											
	18'	10'	25	0.31	19	0.31																											
	22'	12'	20	0.25	11	0.18																											
	20°	0° - 60° 1490 33%	8'	7 fc	<table border="1"> <thead> <tr> <th rowspan="2">Ceiling Height</th> <th rowspan="2">Fixture Spacing</th> <th colspan="2">RCR 2</th> <th colspan="2">RCR 4</th> </tr> <tr> <th>FC *</th> <th>W/Sq. Ft.</th> <th>FC *</th> <th>W/Sq. Ft.</th> </tr> </thead> <tbody> <tr> <td>14'</td> <td>8'</td> <td>35</td> <td>0.43</td> <td>38</td> <td>0.62</td> </tr> <tr> <td>18'</td> <td>10'</td> <td>25</td> <td>0.31</td> <td>19</td> <td>0.31</td> </tr> <tr> <td>22'</td> <td>12'</td> <td>20</td> <td>0.25</td> <td>11</td> <td>0.18</td> </tr> </tbody> </table>	Ceiling Height	Fixture Spacing	RCR 2		RCR 4		FC *	W/Sq. Ft.	FC *	W/Sq. Ft.	14'	8'	35	0.43	38	0.62	18'	10'	25	0.31	19	0.31	22'	12'	20	0.25	11	0.18
	Ceiling Height	Fixture Spacing	RCR 2					RCR 4																									
			FC *	W/Sq. Ft.	FC *	W/Sq. Ft.																											
	14'	8'	35	0.43	38	0.62																											
	18'	10'	25	0.31	19	0.31																											
22'	12'	20	0.25	11	0.18																												
40°	90° - 120° 1202 26%	10'	4 fc	<table border="1"> <thead> <tr> <th rowspan="2">Ceiling Height</th> <th rowspan="2">Fixture Spacing</th> <th colspan="2">RCR 2</th> <th colspan="2">RCR 4</th> </tr> <tr> <th>FC *</th> <th>W/Sq. Ft.</th> <th>FC *</th> <th>W/Sq. Ft.</th> </tr> </thead> <tbody> <tr> <td>14'</td> <td>8'</td> <td>35</td> <td>0.43</td> <td>38</td> <td>0.62</td> </tr> <tr> <td>18'</td> <td>10'</td> <td>25</td> <td>0.31</td> <td>19</td> <td>0.31</td> </tr> <tr> <td>22'</td> <td>12'</td> <td>20</td> <td>0.25</td> <td>11</td> <td>0.18</td> </tr> </tbody> </table>	Ceiling Height	Fixture Spacing	RCR 2		RCR 4		FC *	W/Sq. Ft.	FC *	W/Sq. Ft.	14'	8'	35	0.43	38	0.62	18'	10'	25	0.31	19	0.31	22'	12'	20	0.25	11	0.18	
Ceiling Height	Fixture Spacing	RCR 2					RCR 4																										
		FC *	W/Sq. Ft.	FC *	W/Sq. Ft.																												
14'	8'	35	0.43	38	0.62																												
18'	10'	25	0.31	19	0.31																												
22'	12'	20	0.25	11	0.18																												
60°	90° - 150° 1585 35%	12'	3 fc	<table border="1"> <thead> <tr> <th rowspan="2">Ceiling Height</th> <th rowspan="2">Fixture Spacing</th> <th colspan="2">RCR 2</th> <th colspan="2">RCR 4</th> </tr> <tr> <th>FC *</th> <th>W/Sq. Ft.</th> <th>FC *</th> <th>W/Sq. Ft.</th> </tr> </thead> <tbody> <tr> <td>14'</td> <td>8'</td> <td>35</td> <td>0.43</td> <td>38</td> <td>0.62</td> </tr> <tr> <td>18'</td> <td>10'</td> <td>25</td> <td>0.31</td> <td>19</td> <td>0.31</td> </tr> <tr> <td>22'</td> <td>12'</td> <td>20</td> <td>0.25</td> <td>11</td> <td>0.18</td> </tr> </tbody> </table>	Ceiling Height	Fixture Spacing	RCR 2		RCR 4		FC *	W/Sq. Ft.	FC *	W/Sq. Ft.	14'	8'	35	0.43	38	0.62	18'	10'	25	0.31	19	0.31	22'	12'	20	0.25	11	0.18	
Ceiling Height	Fixture Spacing	RCR 2					RCR 4																										
		FC *	W/Sq. Ft.	FC *	W/Sq. Ft.																												
14'	8'	35	0.43	38	0.62																												
18'	10'	25	0.31	19	0.31																												
22'	12'	20	0.25	11	0.18																												
80°	0° - 90° 2981 65%	14'	2 fc	<table border="1"> <thead> <tr> <th rowspan="2">Ceiling Height</th> <th rowspan="2">Fixture Spacing</th> <th colspan="2">RCR 2</th> <th colspan="2">RCR 4</th> </tr> <tr> <th>FC *</th> <th>W/Sq. Ft.</th> <th>FC *</th> <th>W/Sq. Ft.</th> </tr> </thead> <tbody> <tr> <td>14'</td> <td>8'</td> <td>35</td> <td>0.43</td> <td>38</td> <td>0.62</td> </tr> <tr> <td>18'</td> <td>10'</td> <td>25</td> <td>0.31</td> <td>19</td> <td>0.31</td> </tr> <tr> <td>22'</td> <td>12'</td> <td>20</td> <td>0.25</td> <td>11</td> <td>0.18</td> </tr> </tbody> </table>	Ceiling Height	Fixture Spacing	RCR 2		RCR 4		FC *	W/Sq. Ft.	FC *	W/Sq. Ft.	14'	8'	35	0.43	38	0.62	18'	10'	25	0.31	19	0.31	22'	12'	20	0.25	11	0.18	
Ceiling Height	Fixture Spacing	RCR 2					RCR 4																										
		FC *	W/Sq. Ft.	FC *	W/Sq. Ft.																												
14'	8'	35	0.43	38	0.62																												
18'	10'	25	0.31	19	0.31																												
22'	12'	20	0.25	11	0.18																												
90°	90° - 180° 1605 35%	16'	2 fc	<table border="1"> <thead> <tr> <th rowspan="2">Ceiling Height</th> <th rowspan="2">Fixture Spacing</th> <th colspan="2">RCR 2</th> <th colspan="2">RCR 4</th> </tr> <tr> <th>FC *</th> <th>W/Sq. Ft.</th> <th>FC *</th> <th>W/Sq. Ft.</th> </tr> </thead> <tbody> <tr> <td>14'</td> <td>8'</td> <td>35</td> <td>0.43</td> <td>38</td> <td>0.62</td> </tr> <tr> <td>18'</td> <td>10'</td> <td>25</td> <td>0.31</td> <td>19</td> <td>0.31</td> </tr> <tr> <td>22'</td> <td>12'</td> <td>20</td> <td>0.25</td> <td>11</td> <td>0.18</td> </tr> </tbody> </table>	Ceiling Height	Fixture Spacing	RCR 2		RCR 4		FC *	W/Sq. Ft.	FC *	W/Sq. Ft.	14'	8'	35	0.43	38	0.62	18'	10'	25	0.31	19	0.31	22'	12'	20	0.25	11	0.18	
Ceiling Height	Fixture Spacing	RCR 2					RCR 4																										
		FC *	W/Sq. Ft.	FC *	W/Sq. Ft.																												
14'	8'	35	0.43	38	0.62																												
18'	10'	25	0.31	19	0.31																												
22'	12'	20	0.25	11	0.18																												
100°	0° - 90° 2981 65%	20'	1 fc	<table border="1"> <thead> <tr> <th rowspan="2">Ceiling Height</th> <th rowspan="2">Fixture Spacing</th> <th colspan="2">RCR 2</th> <th colspan="2">RCR 4</th> </tr> <tr> <th>FC *</th> <th>W/Sq. Ft.</th> <th>FC *</th> <th>W/Sq. Ft.</th> </tr> </thead> <tbody> <tr> <td>14'</td> <td>8'</td> <td>35</td> <td>0.43</td> <td>38</td> <td>0.62</td> </tr> <tr> <td>18'</td> <td>10'</td> <td>25</td> <td>0.31</td> <td>19</td> <td>0.31</td> </tr> <tr> <td>22'</td> <td>12'</td> <td>20</td> <td>0.25</td> <td>11</td> <td>0.18</td> </tr> </tbody> </table>	Ceiling Height	Fixture Spacing	RCR 2		RCR 4		FC *	W/Sq. Ft.	FC *	W/Sq. Ft.	14'	8'	35	0.43	38	0.62	18'	10'	25	0.31	19	0.31	22'	12'	20	0.25	11	0.18	
Ceiling Height	Fixture Spacing	RCR 2					RCR 4																										
		FC *	W/Sq. Ft.	FC *	W/Sq. Ft.																												
14'	8'	35	0.43	38	0.62																												
18'	10'	25	0.31	19	0.31																												
22'	12'	20	0.25	11	0.18																												
120°	90° - 180° 1605 35%	24'	1 fc	<table border="1"> <thead> <tr> <th rowspan="2">Ceiling Height</th> <th rowspan="2">Fixture Spacing</th> <th colspan="2">RCR 2</th> <th colspan="2">RCR 4</th> </tr> <tr> <th>FC *</th> <th>W/Sq. Ft.</th> <th>FC *</th> <th>W/Sq. Ft.</th> </tr> </thead> <tbody> <tr> <td>14'</td> <td>8'</td> <td>35</td> <td>0.43</td> <td>38</td> <td>0.62</td> </tr> <tr> <td>18'</td> <td>10'</td> <td>25</td> <td>0.31</td> <td>19</td> <td>0.31</td> </tr> <tr> <td>22'</td> <td>12'</td> <td>20</td> <td>0.25</td> <td>11</td> <td>0.18</td> </tr> </tbody> </table>	Ceiling Height	Fixture Spacing	RCR 2		RCR 4		FC *	W/Sq. Ft.	FC *	W/Sq. Ft.	14'	8'	35	0.43	38	0.62	18'	10'	25	0.31	19	0.31	22'	12'	20	0.25	11	0.18	
Ceiling Height	Fixture Spacing	RCR 2					RCR 4																										
		FC *	W/Sq. Ft.	FC *	W/Sq. Ft.																												
14'	8'	35	0.43	38	0.62																												
18'	10'	25	0.31	19	0.31																												
22'	12'	20	0.25	11	0.18																												
140°	Total 4586 100%			<table border="1"> <thead> <tr> <th rowspan="2">Ceiling Height</th> <th rowspan="2">Fixture Spacing</th> <th colspan="2">RCR 2</th> <th colspan="2">RCR 4</th> </tr> <tr> <th>FC *</th> <th>W/Sq. Ft.</th> <th>FC *</th> <th>W/Sq. Ft.</th> </tr> </thead> <tbody> <tr> <td>14'</td> <td>8'</td> <td>35</td> <td>0.43</td> <td>38</td> <td>0.62</td> </tr> <tr> <td>18'</td> <td>10'</td> <td>25</td> <td>0.31</td> <td>19</td> <td>0.31</td> </tr> <tr> <td>22'</td> <td>12'</td> <td>20</td> <td>0.25</td> <td>11</td> <td>0.18</td> </tr> </tbody> </table>	Ceiling Height	Fixture Spacing	RCR 2		RCR 4		FC *	W/Sq. Ft.	FC *	W/Sq. Ft.	14'	8'	35	0.43	38	0.62	18'	10'	25	0.31	19	0.31	22'	12'	20	0.25	11	0.18	
Ceiling Height	Fixture Spacing	RCR 2					RCR 4																										
		FC *	W/Sq. Ft.	FC *	W/Sq. Ft.																												
14'	8'	35	0.43	38	0.62																												
18'	10'	25	0.31	19	0.31																												
22'	12'	20	0.25	11	0.18																												
160°				<table border="1"> <thead> <tr> <th rowspan="2">Ceiling Height</th> <th rowspan="2">Fixture Spacing</th> <th colspan="2">RCR 2</th> <th colspan="2">RCR 4</th> </tr> <tr> <th>FC *</th> <th>W/Sq. Ft.</th> <th>FC *</th> <th>W/Sq. Ft.</th> </tr> </thead> <tbody> <tr> <td>14'</td> <td>8'</td> <td>35</td> <td>0.43</td> <td>38</td> <td>0.62</td> </tr> <tr> <td>18'</td> <td>10'</td> <td>25</td> <td>0.31</td> <td>19</td> <td>0.31</td> </tr> <tr> <td>22'</td> <td>12'</td> <td>20</td> <td>0.25</td> <td>11</td> <td>0.18</td> </tr> </tbody> </table>	Ceiling Height	Fixture Spacing	RCR 2		RCR 4		FC *	W/Sq. Ft.	FC *	W/Sq. Ft.	14'	8'	35	0.43	38	0.62	18'	10'	25	0.31	19	0.31	22'	12'	20	0.25	11	0.18	
Ceiling Height	Fixture Spacing	RCR 2					RCR 4																										
		FC *	W/Sq. Ft.	FC *	W/Sq. Ft.																												
14'	8'	35	0.43	38	0.62																												
18'	10'	25	0.31	19	0.31																												
22'	12'	20	0.25	11	0.18																												
180°				<table border="1"> <thead> <tr> <th colspan="2">Delivered Illuminance Rating: (DIR)</th> <th colspan="2">82 FC per W/Sq. Ft.</th> <th colspan="2">61 FC per W/Sq. Ft.</th> </tr> </thead> <tbody> <tr> <td colspan="6">                     2' Suspension Length to luminous aperture                      Square rooms used for multiple units:                      RCR 2: Length &amp; Width = Ceiling Ht. - 4.5' x 5.00                      RCR 4: Length &amp; Width = Ceiling Ht. - 4.5' x 2.50                      * Average Footcandles at 2.5' Above Floor                 </td> </tr> </tbody> </table>	Delivered Illuminance Rating: (DIR)		82 FC per W/Sq. Ft.		61 FC per W/Sq. Ft.		2' Suspension Length to luminous aperture Square rooms used for multiple units: RCR 2: Length & Width = Ceiling Ht. - 4.5' x 5.00 RCR 4: Length & Width = Ceiling Ht. - 4.5' x 2.50 * Average Footcandles at 2.5' Above Floor																						
Delivered Illuminance Rating: (DIR)		82 FC per W/Sq. Ft.		61 FC per W/Sq. Ft.																													
2' Suspension Length to luminous aperture Square rooms used for multiple units: RCR 2: Length & Width = Ceiling Ht. - 4.5' x 5.00 RCR 4: Length & Width = Ceiling Ht. - 4.5' x 2.50 * Average Footcandles at 2.5' Above Floor																																	

Delivered Lumens: 4586  
Luminaire Watts: 39  
LER: 117.59

CP at 0° (Nadir): 449  
CRI: 80+

Beam Angle: NaN°  
Spacing Ratio: 1.61

Lumen Multiplier: 15L x 0.27, 27L x 0.47, 37L x 0.69  
CCT Multiplier: 27K x 0.97, 30K x 0.99, 40K x 1.03

GPRF2000GV 55L 35K XX MW

CANDLEPOWER CURVE TEST SP-00647_5	INTENSITY CANDELA 0° AZIMUTH	ZONAL LUMENS	SINGLE UNIT: PERFORMANCE DIRECT FOOTCANDLES BASED ON DOWNLIGHT ONLY	MULTIPLE UNITS: PERFORMANCE 80/50/20% REFLECTANCES INITIAL FOOTCANDLES AND WATTS PER SQUARE FOOT																													
	0°	0° - 10° 51 1%	Mounting Height AFF	FC at Center on Floor	<table border="1"> <thead> <tr> <th rowspan="2">Ceiling Height</th> <th rowspan="2">Fixture Spacing</th> <th colspan="2">RCR 2</th> <th colspan="2">RCR 4</th> </tr> <tr> <th>FC *</th> <th>W/Sq. Ft.</th> <th>FC *</th> <th>W/Sq. Ft.</th> </tr> </thead> <tbody> <tr> <td>14'</td> <td>8'</td> <td>55</td> <td>0.62</td> <td>41</td> <td>0.62</td> </tr> <tr> <td>18'</td> <td>10'</td> <td>27</td> <td>0.31</td> <td>21</td> <td>0.31</td> </tr> <tr> <td>22'</td> <td>12'</td> <td>22</td> <td>0.25</td> <td>12</td> <td>0.18</td> </tr> </tbody> </table>	Ceiling Height	Fixture Spacing	RCR 2		RCR 4		FC *	W/Sq. Ft.	FC *	W/Sq. Ft.	14'	8'	55	0.62	41	0.62	18'	10'	27	0.31	21	0.31	22'	12'	22	0.25	12	0.18
	Ceiling Height	Fixture Spacing	RCR 2					RCR 4																									
			FC *	W/Sq. Ft.	FC *	W/Sq. Ft.																											
	14'	8'	55	0.62	41	0.62																											
	18'	10'	27	0.31	21	0.31																											
	22'	12'	22	0.25	12	0.18																											
	0°	0° - 30° 444 9%	6'	15 fc	<table border="1"> <thead> <tr> <th rowspan="2">Ceiling Height</th> <th rowspan="2">Fixture Spacing</th> <th colspan="2">RCR 2</th> <th colspan="2">RCR 4</th> </tr> <tr> <th>FC *</th> <th>W/Sq. Ft.</th> <th>FC *</th> <th>W/Sq. Ft.</th> </tr> </thead> <tbody> <tr> <td>14'</td> <td>8'</td> <td>55</td> <td>0.62</td> <td>41</td> <td>0.62</td> </tr> <tr> <td>18'</td> <td>10'</td> <td>27</td> <td>0.31</td> <td>21</td> <td>0.31</td> </tr> <tr> <td>22'</td> <td>12'</td> <td>22</td> <td>0.25</td> <td>12</td> <td>0.18</td> </tr> </tbody> </table>	Ceiling Height	Fixture Spacing	RCR 2		RCR 4		FC *	W/Sq. Ft.	FC *	W/Sq. Ft.	14'	8'	55	0.62	41	0.62	18'	10'	27	0.31	21	0.31	22'	12'	22	0.25	12	0.18
	Ceiling Height	Fixture Spacing	RCR 2					RCR 4																									
			FC *	W/Sq. Ft.	FC *	W/Sq. Ft.																											
	14'	8'	55	0.62	41	0.62																											
	18'	10'	27	0.31	21	0.31																											
	22'	12'	22	0.25	12	0.18																											
	20°	0° - 60° 1639 33%	8'	8 fc	<table border="1"> <thead> <tr> <th rowspan="2">Ceiling Height</th> <th rowspan="2">Fixture Spacing</th> <th colspan="2">RCR 2</th> <th colspan="2">RCR 4</th> </tr> <tr> <th>FC *</th> <th>W/Sq. Ft.</th> <th>FC *</th> <th>W/Sq. Ft.</th> </tr> </thead> <tbody> <tr> <td>14'</td> <td>8'</td> <td>55</td> <td>0.62</td> <td>41</td> <td>0.62</td> </tr> <tr> <td>18'</td> <td>10'</td> <td>27</td> <td>0.31</td> <td>21</td> <td>0.31</td> </tr> <tr> <td>22'</td> <td>12'</td> <td>22</td> <td>0.25</td> <td>12</td> <td>0.18</td> </tr> </tbody> </table>	Ceiling Height	Fixture Spacing	RCR 2		RCR 4		FC *	W/Sq. Ft.	FC *	W/Sq. Ft.	14'	8'	55	0.62	41	0.62	18'	10'	27	0.31	21	0.31	22'	12'	22	0.25	12	0.18
	Ceiling Height	Fixture Spacing	RCR 2					RCR 4																									
			FC *	W/Sq. Ft.	FC *	W/Sq. Ft.																											
	14'	8'	55	0.62	41	0.62																											
	18'	10'	27	0.31	21	0.31																											
22'	12'	22	0.25	12	0.18																												
40°	90° - 120° 1251 25%	10'	5 fc	<table border="1"> <thead> <tr> <th rowspan="2">Ceiling Height</th> <th rowspan="2">Fixture Spacing</th> <th colspan="2">RCR 2</th> <th colspan="2">RCR 4</th> </tr> <tr> <th>FC *</th> <th>W/Sq. Ft.</th> <th>FC *</th> <th>W/Sq. Ft.</th> </tr> </thead> <tbody> <tr> <td>14'</td> <td>8'</td> <td>55</td> <td>0.62</td> <td>41</td> <td>0.62</td> </tr> <tr> <td>18'</td> <td>10'</td> <td>27</td> <td>0.31</td> <td>21</td> <td>0.31</td> </tr> <tr> <td>22'</td> <td>12'</td> <td>22</td> <td>0.25</td> <td>12</td> <td>0.18</td> </tr> </tbody> </table>	Ceiling Height	Fixture Spacing	RCR 2		RCR 4		FC *	W/Sq. Ft.	FC *	W/Sq. Ft.	14'	8'	55	0.62	41	0.62	18'	10'	27	0.31	21	0.31	22'	12'	22	0.25	12	0.18	
Ceiling Height	Fixture Spacing	RCR 2					RCR 4																										
		FC *	W/Sq. Ft.	FC *	W/Sq. Ft.																												
14'	8'	55	0.62	41	0.62																												
18'	10'	27	0.31	21	0.31																												
22'	12'	22	0.25	12	0.18																												
60°	90° - 150° 1749 35%	12'	4 fc	<table border="1"> <thead> <tr> <th rowspan="2">Ceiling Height</th> <th rowspan="2">Fixture Spacing</th> <th colspan="2">RCR 2</th> <th colspan="2">RCR 4</th> </tr> <tr> <th>FC *</th> <th>W/Sq. Ft.</th> <th>FC *</th> <th>W/Sq. Ft.</th> </tr> </thead> <tbody> <tr> <td>14'</td> <td>8'</td> <td>55</td> <td>0.62</td> <td>41</td> <td>0.62</td> </tr> <tr> <td>18'</td> <td>10'</td> <td>27</td> <td>0.31</td> <td>21</td> <td>0.31</td> </tr> <tr> <td>22'</td> <td>12'</td> <td>22</td> <td>0.25</td> <td>12</td> <td>0.18</td> </tr> </tbody> </table>	Ceiling Height	Fixture Spacing	RCR 2		RCR 4		FC *	W/Sq. Ft.	FC *	W/Sq. Ft.	14'	8'	55	0.62	41	0.62	18'	10'	27	0.31	21	0.31	22'	12'	22	0.25	12	0.18	
Ceiling Height	Fixture Spacing	RCR 2					RCR 4																										
		FC *	W/Sq. Ft.	FC *	W/Sq. Ft.																												
14'	8'	55	0.62	41	0.62																												
18'	10'	27	0.31	21	0.31																												
22'	12'	22	0.25	12	0.18																												
80°	0° - 90° 3174 64%	14'	3 fc	<table border="1"> <thead> <tr> <th rowspan="2">Ceiling Height</th> <th rowspan="2">Fixture Spacing</th> <th colspan="2">RCR 2</th> <th colspan="2">RCR 4</th> </tr> <tr> <th>FC *</th> <th>W/Sq. Ft.</th> <th>FC *</th> <th>W/Sq. Ft.</th> </tr> </thead> <tbody> <tr> <td>14'</td> <td>8'</td> <td>55</td> <td>0.62</td> <td>41</td> <td>0.62</td> </tr> <tr> <td>18'</td> <td>10'</td> <td>27</td> <td>0.31</td> <td>21</td> <td>0.31</td> </tr> <tr> <td>22'</td> <td>12'</td> <td>22</td> <td>0.25</td> <td>12</td> <td>0.18</td> </tr> </tbody> </table>	Ceiling Height	Fixture Spacing	RCR 2		RCR 4		FC *	W/Sq. Ft.	FC *	W/Sq. Ft.	14'	8'	55	0.62	41	0.62	18'	10'	27	0.31	21	0.31	22'	12'	22	0.25	12	0.18	
Ceiling Height	Fixture Spacing	RCR 2					RCR 4																										
		FC *	W/Sq. Ft.	FC *	W/Sq. Ft.																												
14'	8'	55	0.62	41	0.62																												
18'	10'	27	0.31	21	0.31																												
22'	12'	22	0.25	12	0.18																												
90°	90° - 180° 1789 36%	16'	2 fc	<table border="1"> <thead> <tr> <th rowspan="2">Ceiling Height</th> <th rowspan="2">Fixture Spacing</th> <th colspan="2">RCR 2</th> <th colspan="2">RCR 4</th> </tr> <tr> <th>FC *</th> <th>W/Sq. Ft.</th> <th>FC *</th> <th>W/Sq. Ft.</th> </tr> </thead> <tbody> <tr> <td>14'</td> <td>8'</td> <td>55</td> <td>0.62</td> <td>41</td> <td>0.62</td> </tr> <tr> <td>18'</td> <td>10'</td> <td>27</td> </tr></tbody></table>	Ceiling Height	Fixture Spacing	RCR 2		RCR 4		FC *	W/Sq. Ft.	FC *	W/Sq. Ft.	14'	8'	55	0.62	41	0.62	18'	10'	27										
Ceiling Height	Fixture Spacing	RCR 2					RCR 4																										
		FC *	W/Sq. Ft.	FC *	W/Sq. Ft.																												
14'	8'	55	0.62	41	0.62																												
18'	10'	27																															



# GIANT GLOBE RADIUS FITTER PENDANT DAMP LOCATION

GLOBO / PHOTOMETRIC DATA (Gloss Globe)

DECORATIVE

GPRF2400GV 55L 35K XX MW

CANDLEPOWER CURVE TEST SP-00647_6	INTENSITY CANDELA 0° AZIMUTH	ZONAL LUMENS	SINGLE UNIT: PERFORMANCE DIRECT FOOTCANDLES BASED ON DOWNLIGHT ONLY	MULTIPLE UNITS: PERFORMANCE 80/50/20% REFLECTANCES INITIAL FOOTCANDLES AND WATTS PER SQUARE FOOT								
	0°	0° - 10°	54	1%	Mounting Height AFF	FC at Center on Floor	Ceiling Height	Fixture Spacing	RCR 2		RCR 4	
	0°	0° - 30°	456	10%					FC *	W/Sq. Ft.	FC *	W/Sq. Ft.
	20°	0° - 60°	1593	34%	8'	9 fc	18'	8'	41	0.49	23	0.36
	40°	90° - 120°	1138	24%	10'	6 fc	22'	10'	31	0.37	13	0.21
	60°	90° - 150°	1646	35%	12'	4 fc	26'	12'	20	0.24	15	0.24
	80°	0° - 90°	2968	64%	14'	3 fc	Delivered Illuminance Rating: (DIR)		84 FC per W/Sq. Ft.		64 FC per W/Sq. Ft.	
	90°	90° - 180°	1703	36%	16'	2 fc	3' Suspension Length to luminous aperture Square rooms used for multiple units: RCR 2: Length & Width = Ceiling Ht. - 5.5' x 5.00 RCR 4: Length & Width = Ceiling Ht. - 5.5' x 2.50 * Average Footcandles at 2.5' Above Floor					
	100°	Total	4671	100%	20'	1 fc						
	120°				24'	1 fc						
	140°				28'	1 fc						
	160°											
	180°											

Delivered Lumens: 4671  
Luminaire Watts: 39  
LER: 119.77

CP at 0° (Nadir): 555  
CRI: 80+

Beam Angle: NaN°  
Spacing Ratio: 1.43

Lumen Multiplier: 15L x 0.27, 27L x 0.47, 37L x 0.69  
CCT Multiplier: 27K x 0.97, 30K x 0.99, 40K x 1.03

GPRF3600GV 55L 35K XX MW

CANDLEPOWER CURVE TEST SP-00647_7	INTENSITY CANDELA 0° AZIMUTH	ZONAL LUMENS	SINGLE UNIT: PERFORMANCE DIRECT FOOTCANDLES BASED ON DOWNLIGHT ONLY	MULTIPLE UNITS: PERFORMANCE 80/50/20% REFLECTANCES INITIAL FOOTCANDLES AND WATTS PER SQUARE FOOT								
	0°	0° - 10°	47	1%	Mounting Height AFF	FC at Center on Floor	Ceiling Height	Fixture Spacing	RCR 2		RCR 4	
	0°	0° - 30°	394	9%					FC *	W/Sq. Ft.	FC *	W/Sq. Ft.
	20°	0° - 60°	1372	31%	8'	8 fc	18'	8'	39	0.49	22	0.36
	40°	90° - 120°	1111	25%	10'	5 fc	22'	10'	29	0.37	12	0.21
	60°	90° - 150°	1761	39%	12'	3 fc	26'	12'	19	0.24	14	0.24
	80°	0° - 90°	2576	58%	14'	2 fc	Delivered Illuminance Rating: (DIR)		80 FC per W/Sq. Ft.		60 FC per W/Sq. Ft.	
	90°	90° - 180°	1897	42%	16'	2 fc	3' Suspension Length to luminous aperture Square rooms used for multiple units: RCR 2: Length & Width = Ceiling Ht. - 5.5' x 5.00 RCR 4: Length & Width = Ceiling Ht. - 5.5' x 2.50 * Average Footcandles at 2.5' Above Floor					
	100°	Total	4473	100%	20'	1 fc						
	120°				24'	1 fc						
	140°				28'	1 fc						
	160°											
	180°											

Delivered Lumens: 4473  
Luminaire Watts: 39  
LER: 114.69

CP at 0° (Nadir): 482  
CRI: 80+

Beam Angle: NaN°  
Spacing Ratio: 1.47

Lumen Multiplier: 15L x 0.27, 27L x 0.47, 37L x 0.69  
CCT Multiplier: 27K x 0.97, 30K x 0.99, 40K x 1.03

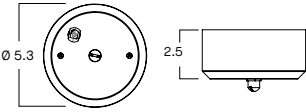
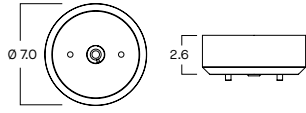
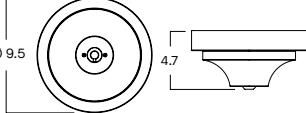
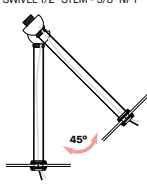
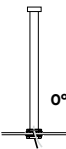
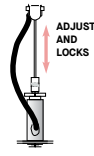



# MOUNTING & ACCESSORIES

SOME OPTIONS NOT AVAILABLE ON ALL FIXTURES, CONSULT SPECIFICATION SHEETS, SEE INDIVIDUAL SPECIFICATION SHEETS OR CONSULT FACTORY FOR ADDITIONAL INFORMATION.  
NOTE: THIS IS TYPICAL OF SPECLUME SPECIFICATION FOR PENDANT MOUNTING. INDIVIDUAL FIXTURES OR PROJECTS MAY HAVE SPECIALIZED REQUIREMENTS.



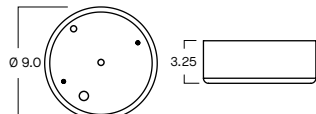
## CEILING MOUNTING

<p><b>RDC5</b> - SMALL DRIVER CANOPY (STANDARD) MOUNTS TO 4" OCTO J-BOX</p>  <p><b>CP13</b> - LARGE DRIVER CANOPY</p>  <p><b>DC9</b> - DECORATIVE CANOPY</p> 	<p><b>HM*</b> HANG STRAIGHT 45° SWIVEL 1/2" STEM - 3/8" NPT</p>  <p>ORDER: <b>HM</b> (Length) SPECIFY LENGTH: <b>HM3</b> - 3"    <b>HM24</b> - 24" <b>HM6</b> - 6"    <b>HM36</b> - 36" <b>HM12</b> - 12"    <b>HM48</b> - 48" <b>HM18</b> - 18"    <b>HM72</b> - 72" <b>HMLC(XX)</b> Custom Length (Specify in Inches)</p>	<p><b>PM*</b> RIGID PENDANT MOUNT RIGID 1/2" STEM - 3/8" NPT</p>  <p>ORDER: <b>PM</b> (Length) SPECIFY LENGTH: <b>PM3</b> - 3"    <b>PM24</b> - 24" <b>PM6</b> - 6"    <b>PM36</b> - 36" <b>PM12</b> - 12"    <b>PM48</b> - 48" <b>PM18</b> - 18"    <b>PM72</b> - 72" <b>PMLLC(XX)</b> Custom Length (Specify in Inches)</p>	<p><b>CD</b> CORD / CABLE MOUNT SJ CORD WITH 1/16 SS CABLE</p>  <p>ORDER: <b>CD</b> (Length) SPECIFY LENGTH: <b>CD36</b> - 36" <b>CD72</b> - 72" <b>CD144</b> - 144" <b>CDLC(XX)</b> Custom Length (Specify in Inches)</p>	<p><b>CM</b> CORD MOUNT SJ CORD WITH STRAIN RELIEF</p>  <p>ORDER: <b>CM</b> (Length) SPECIFY LENGTH: <b>CM36</b> - 36" <b>CM72</b> - 72" <b>CM144</b> - 144" <b>CMLC(XX)</b> Custom Length (Specify in Inches)</p>
--	--	--	--	---

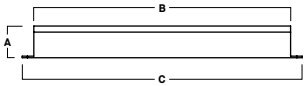
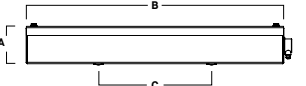
\*MAXIMUM ONE PIECE STEM LENGTH IS 72". \*\*MAXIMUM ONE PIECE STEM LENGTH IS 36". LONGER LENGTHS ARE POSSIBLE USING MULTIPLE STEMS AND COUPLERS.  
\*\*ORDER IN 12" INCREMENTS, ODD SIZES MAY BE FIELD CUT

## EMERGENCY BATTERY OPTIONS

**EMCR** - LARGE DRIVER CANOPY FOR 10W EMERGENCY BATTERY (FOR ROUND CEILING MOUNT TYPES)



## REMOTE EMERGENCY BATTERY OPTIONS

<p><b>EMRM*</b> - 7W REMOTE EMERGENCY BATTERY (50' MAX)</p>  <table border="1"> <thead> <tr> <th>A</th> <th>B</th> <th>C</th> </tr> </thead> <tbody> <tr> <td>1.3</td> <td>12.6</td> <td>13.0</td> </tr> </tbody> </table>	A	B	C	1.3	12.6	13.0	<p><b>EMEN*</b> - 7W REMOTE EMERGENCY BATTERY WITH ENCLOSURE (50' MAX)</p>  <table border="1"> <thead> <tr> <th>A</th> <th>B</th> <th>C</th> </tr> </thead> <tbody> <tr> <td>2.0</td> <td>17.0</td> <td>6.2</td> </tr> </tbody> </table>	A	B	C	2.0	17.0	6.2
A	B	C											
1.3	12.6	13.0											
A	B	C											
2.0	17.0	6.2											

\*OTHER EM BATTERY SIZES AVAILABLE, CONSULT FACTORY

## MOUNTING OPTION

**FCHMA** - Field Cuttable Mounting Kit For Hang Mount Fixtures