



16" PRISMATIC

PA SERIES / DLC LISTED



PA1611LEDLX

APPLICATION

16" prismatic pendant series is a performance luminaire that provides excellent vertical surface illumination. Prismatic refractor provides horizontal and vertical distribution.

FEATURES

PA1611LX dual refractor optical system for enhanced indirect lighting. Single mid-powered LED modules produce up to 13000 source lumens. A wide variety of mounting options. LED module and driver are serviceable for future replacement and maintenance.

FINISH

Multi-stage polyester powder-coat process applied on our dedicated paint lines. Variety of standard and custom finishes are available. All exposed materials are chromate pretreated to resist corrosion.

ELECTRONICS

LED system features high brightness white Nichia LEDs. 3-step MacAdam Ellipse binning and CRI 80 minimum. Higher CRI, R9 and custom LED configurations are available; consult factory. Variety of electronic 120V/277V and dimming devices. LED module is 2 circuit with 2 drivers for multicircuit option as well as safety.

CONSTRUCTION

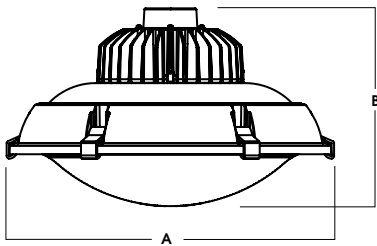
Fixture shades are spun in our factory from 0.060" high purity aluminum. Refractor is molded UV stabilized acrylic with clear prismatic option.

CODE COMPLIANCE

BAA compliant. ETL certified to meet US and Canadian standards. Suitable for dry or damp locations. Manufactured and tested to UL standards No. 1598/8750. Refer to designlights.org/search/ for most up-to-date list.

RATED LIFE

Tested in accordance to LM79-2008 and derived from EPA TM-21 calculator.
 Reported hours per TM-21/LM80 6x's limitation.
 L70: >60,000 hours
 L90: >60,000 hours



A	B
16.4	10.0
416.8 mm	254.8 mm

LUMENS / WATTAGE DATA				
PART NUMBER	SOURCE LUMENS ¹	DELIVERED LUMENS ²	SYSTEM WATTS	LPW
PA1611LX130L	13000	12112	104	117

SERIES	LUMENS ¹	CCT	DRIVER / DIMMING ³	MOUNTING ⁴	REFRACTOR	FINISH ⁷
PA1611LEDLX	130L 13000 Lm	35K 3500K	EX Electronic Driver, 120V/277V DS10X 10%, 0-10V, 120V/277V DO10X 1% 0-10V, 120V/277V	CP113⁵ Driver Housing RM Remote Driver HM⁶ Hang Straight AT⁶ Hang Straight All Thread PM⁶ Rigid Pendant Mount CD⁶ Cord / Cable Mount	UPPER LENS	MW⁸ Matte White MB⁸ Matte Black PT⁸ Platinum Silver CC Custom Color
					FR1611 Diffuse Prismatic	
					CL16 Clear Prismatic	

EXAMPLE: PA1611LEDLX130L35KEX/CP113HM36/FR1611CL16/MW

NOTES:
 1 Nominal Source Lumens at 35K 2 Delivered Lumens at 35K with FR1611-CL16-MW 3 Contact Factory for Additional Options 4 See Mounting Page for Details on Components and Finishes 5 CP113 Required
 6 Specify Length in Inches: See Mounting Page for Available Lengths 7 See Color Page for More Options / Consult Factory for Special Finishes 8 Standard Finishes



PROJECT: _____
 TYPE: _____



Dimensions and values shown are nominal. Spectrum Lighting continually works to improve products and reserves the right to make changes which may alter the performance or appearance of products.

16" PRISMATIC

PA SERIES



STANDARD FINISHES

MW
MATTE WHITE



MB
MATTE BLACK

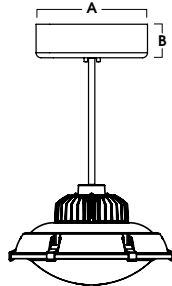


PT
PLATINUM SILVER



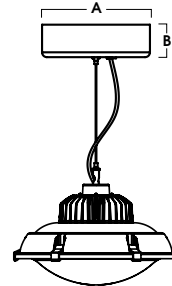
MOUNTING TYPES

HM / AT / PM
HANG STRAIGHT / ALL THREAD / PENDANT



A	B
11.1	3.3
281.9 mm	84.8 mm

CD
CORD / CABLE MOUNT



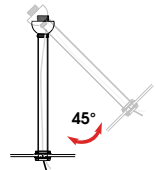
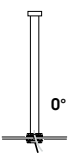
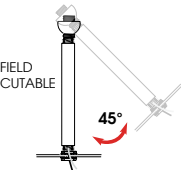
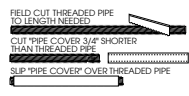

A	B
11.1	3.3
281.9 mm	84.8 mm

MOUNTING & ACCESSORIES

SOME OPTIONS NOT AVAILABLE ON ALL FIXTURES, CONSULT SPECIFICATION SHEETS. SEE INDIVIDUAL SPECIFICATION SHEETS OR CONSULT FACTORY FOR ADDITIONAL INFORMATION. NOTE: THIS IS TYPICAL OF LUMEN MAX SPECIFICATION FOR PENDANT MOUNTING. INDIVIDUAL FIXTURES OR PROJECTS MAY HAVE SPECIALIZED REQUIREMENTS.



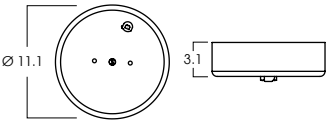
MOUNTING TYPES

<p>HM* HANG STRAIGHT 45° SWIVEL 5/8" OD STEM - 3/8" IP</p>  <p>ORDER: HM (Length) SPECIFY LENGTH: HM3 - 3" HM24 - 24" HM6 - 6" HM36 - 36" HM12 - 12" HM48 - 48" HM18 - 18" HM72 - 72" HMLC(XX) Custom Length (Specify in Inches)</p>	<p>PM* RIGID PENDANT MOUNT RIGID 5/8" OD STEM - 3/8" IP</p>  <p>ORDER: PM (Length) SPECIFY LENGTH: PM3 - 3" PM24 - 24" PM6 - 6" PM36 - 36" PM12 - 12" PM48 - 48" PM18 - 18" PM72 - 72" PMLC(XX) Custom Length (Specify in Inches)</p>	<p>AT** HANG STRAIGHT ALL THREAD 45° SWIVEL 5/8" OD STEM - 1/4" IP</p> <p>FIELD CUTTABLE</p>  <p>ORDER: AT (Length) SPECIFY LENGTH: AT12 - 12" AT24 - 24" AT36 - 36"</p> 	<p>CD CORD / CABLE MOUNT SJ CORD WITH 1/16 SS CABLE</p>  <p>ORDER: CD (Length) SPECIFY LENGTH: CD36 - 36" CD72 - 72" CD144 - 144" CDLC(XX) Custom Length (Specify in Inches)</p>
--	---	--	---

*MAXIMUM ONE PIECE STEM LENGTH IS 72". **MAXIMUM ONE PIECE STEM LENGTH IS 36". LONGER LENGTHS ARE POSSIBLE USING MULTIPLE STEMS AND COUPLERS.

CEILING MOUNT CANOPY


CP113 - DRIVER COMPARTMENT WITH LEADS (REQUIRED)



ADDITIONS

FS - FUSING

Slow blow type fuse protects fixture against voltage surges. Factory installed.



COLOR OPTIONS - POWDER COAT PAINT FINISHES

NOTE: NO PRINTED IMAGE CAN EQUAL THE EXACT COLOR OF FINISH ON METAL.
SEE INDIVIDUAL SPECIFICATION SHEETS OR CONSULT FACTORY FOR ADDITIONAL INFORMATION.



STANDARD CORD / STEM / CANOPY FINISHES

FIXTURE COLOR	STANDARD CORD COLOR	STANDARD CANOPY / STEM COLOR
Matte White, Textured White	Matte White	Matte White
Gloss White	Matte White	Gloss White
Matte Black, Gloss Black, Textured Black	Matte Black	Matte Black
All Others	Matte Black	Same Color as Fixture
Custom Color	Contact Factory	Contact Factory

PAINT TIMES

TIER	COST	AVERAGE PAINT TIME*
Tier 1 - Standard Finishes	\$	⓪
Tier 2 - Typical Finishes	\$\$	⓪⓪
Custom Color	Contact Factory	Contact Factory

*CONTACT FACTORY FOR SPECIFIC PRODUCT LEAD TIMES

TIER 1 - STANDARD FINISHES



TIER 2 - TYPICAL FINISHES



CUSTOM COLOR FINISHES

CONTACT FACTORY

CC
Custom Color



*UNAVAILABLE FOR WET LOCATION