



GIANT DOME
DAMP / WET LOCATION
RUSTIC SERIES

PROJECT: _____
 QUANTITY: _____ TYPE: _____



GD2619GV
 AY - Aero Yellow



GD2619GV
 PG - Pub Green



GD2619GV
 AL - Almond



GD2619GV
 BL - Blue Streak

SERIES	LUMENS ¹	CCT	DRIVER / DIMMING ²	ACCESSORIES ⁴	MOUNTING ⁶	INTERIOR ⁹	FINISH ⁹	WET KIT	
GD2619GV	15L 1500 Lm	80 CRI	EX Electronic Driver, 120V/277V DS2W1 ELV/MLV, 120V DO10X ³ 1%, 0-10V, 120V/277V DLTE1 ³ Lutron® 2-Wire Forward Phase (MLV), 120V DL3EX ³ 1%, Lutron® EcoSystem®, 120V/277V	ENCLOSURES TF2 ⁴ 4" Frosted Dome TG2 4" Dome Wire Guard MF2 4" Frosted Mini MG2 4" Short Wire Guard FJ2 4" Frosted Tall FG2 4" Tall Wire Guard	RDC5 Small Driver Canopy CP13 Large Driver Canopy DC9 Decorative Driver Canopy HM ⁷ Hang Straight AT ⁷ Hang Straight All Thread PM ⁷ Rigid Pendant Mount CD ⁷ Cord / Cable Mount CM ⁷ Cord Mount EMCR ⁸ 10W Large Driver Canopy EM EMRM 7W Remote EM EMEN 7W Remote with Enclosure	MWI ¹⁰ Matte White CCI Custom Color FCI Fixture Color Interior	MW ¹⁰ Matte White MB ¹⁰ Matte Black PT ¹⁰ Platinum Silver CC Custom Color	WLKA Wet Location Kit	
	27L 2700 Lm								27K 2700K
	37L 3700 Lm								30K 3000K
	55L 5500 Lm								35K 3500K 40K 4000K
		90 CRI				See Page 4 for Full Range of Color Options (83-90083)	See Page 4 for Full Range of Color Options (83-90083)		
		27HK 2700K 30HK 3000K 35HK 3500K 40HK 4000K							

EXAMPLE: GD2619GV27L35KEXTF2/RDC5HM36MWIPT

NOTES:
 1 Nominal Source Lumens at 35K 2 Contact Factory for Additional Options 3 Available with CP13 Only 4 Enclosure, Wire Guard Required - Choose One Option
 5 Standard Enclosure 6 See Mounting Page for Details on Components and Finishes 7 Specify Length in Inches; See Mounting Page for Available Lengths
 8 EMCR Replaces RDC5, CP13, or DC9 9 See Color Page for More Options/Consult Factory for Special Finishes 10 Standard Finishes



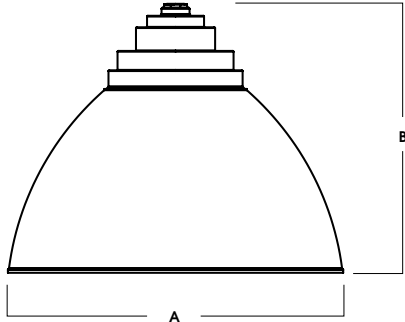


GIANT DOME DAMP / WET LOCATION RUSTIC SERIES

LUMENS / WATTAGE DATA		
PART NUMBER	SOURCE LUMENS ¹	SYSTEM WATTS
GD2619GV15L	1500	10
GD2619GV27L	2700	18
GD2619GV37L	3700	26
GD2619GV55L	5500	39

¹ Nominal Source Lumens at 35K

HOUSING DIMENSIONS



A	B
25.0	20.5
635.0 mm	520.7 mm

APPLICATION

Giant Dome fixture offers wide distribution for general illumination.

FEATURES

Spectrum Lighting's RLM Classics are inspired by vintage lighting fixtures redesigned with modern LED light sources and materials. The wide range of options for illumination, mounting, enclosures, guards and finishes allows for creative fixture specification and design. LED module and driver are serviceable for future replacement. Available as pendant only.

FINISH

Multi-stage polyester powder-coat process applied on our dedicated paint lines. Variety of standard and custom finishes are available. Matte White interior finish standard. Custom Color interior finish available.

ELECTRONICS

GV LED system features high brightness white Samsung LED's. 3-step MacAdam Ellipse binning. Standard CRI: 80+. Higher CRI, R9 and custom LED configurations are available; consult factory. Choice of electronic 120V/277V and dimming drivers.

CONSTRUCTION

Fixture shades are spun in our factory from 0.063 high purity aluminum.

CODE COMPLIANCE

BAA compliant. ETL certified to meet US and Canadian standards. Suitable for dry or damp locations. Wet Location Option. Manufactured and tested to UL standards No. 1598/8750.

ENCLOSURES

TF2
4" FROSTED DOME



MF2
4" FROSTED MINI



FJ2
4" FROSTED TALL



TG2
4" FROSTED DOME
WIRE GUARD - FITS TF2



MG2
4" FROSTED MINI
WIRE GUARD - FITS MF2



FG2
4" FROSTED TALL
WIRE GUARD - FITS FJ2



CEILING MOUNT

(SEE MOUNTING PAGES FOR MORE OPTIONS & CANOPY DIMENSIONS.)

HM / AT / PM

HANG STRAIGHT / ALL THREAD / PENDANT



GD2619GV SHOWN WITH RDC5PM

CD
CORD / CABLE MOUNT



GD2619GV SHOWN WITH RDC5CD

CM
CORD MOUNT



GD2619GV SHOWN WITH RDC5CM

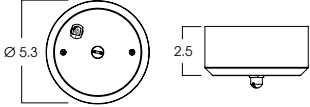
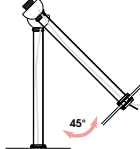
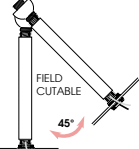
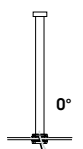
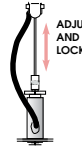


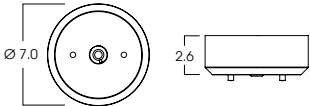



MOUNTING & ACCESSORIES

SOME OPTIONS NOT AVAILABLE ON ALL FIXTURES. CONSULT SPECIFICATION SHEETS. SEE INDIVIDUAL SPECIFICATION SHEETS OR CONSULT FACTORY FOR ADDITIONAL INFORMATION. NOTE: THIS IS TYPICAL OF RLM SPECIFICATION FOR MOUNTING. INDIVIDUAL FIXTURES OR PROJECTS MAY HAVE SPECIALIZED REQUIREMENTS.



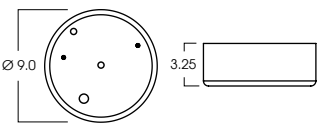
CEILING MOUNTING

<p>RDC5 - SMALL DRIVER CANOPY (STANDARD) MOUNTS TO 4" OCTO J-BOX</p> 	<p>HM* HANG STRAIGHT 45° SWIVEL 1/2" STEM - 3/8" NPT</p> 	<p>AT** HANG STRAIGHT ALL THREAD 45° SWIVEL 1/2" STEM - 1/4" IP</p> 	<p>PM* RIGID PENDANT MOUNT RIGID 1/2" STEM - 3/8" NPT</p> 	<p>CD CORD / CABLE MOUNT SJ CORD WITH 1/16" SS CABLE</p> 	<p>CM CORD MOUNT SJ CORD WITH STRAIN RELIEF</p> 	<p>CHN CHAIN MOUNT SJ CORD / DECORATIVE CHAIN</p> 
<p>CP13 - LARGE DRIVER CANOPY</p> 	<p>ORDER: HM (Length) SPECIFY LENGTH: HM3 - 3" HM24 - 24" HM6 - 6" HM36 - 36" HM12 - 12" HM48 - 48" HM18 - 18" HM72 - 72" HMLC(XX) Custom Length (Specify in Inches)</p>	<p>ORDER: AT (Length) SPECIFY LENGTH: AT12 - 12" AT24 - 24" AT36 - 36" AT48 - 48" AT60 - 60" AT72 - 72" <small>FIELD CUT. INSULATED PIPE TO LENGTH NEEDED. CUT PIPE COVERED 3/4" SHORTER THAN INSULATED PIPE. SUPPLY PIPE COVERED OVER THREADED PIPE.</small></p> 	<p>ORDER: PM (Length) SPECIFY LENGTH: PM3 - 3" PM24 - 24" PM6 - 6" PM36 - 36" PM12 - 12" PM48 - 48" PM18 - 18" PM72 - 72" PMLC(XX) Custom Length (Specify in Inches)</p>	<p>ORDER: CD (Length) SPECIFY LENGTH: CD36 - 36" CD72 - 72" CD144 - 144" CDLC(XX) Custom Length (Specify in Inches)</p>	<p>ORDER: CM (Length) SPECIFY LENGTH: CM36 - 36" CM72 - 72" CM144 - 144" CMLC(XX) Custom Length (Specify in Inches)</p>	<p>ORDER: CHN (Length) SPECIFY LENGTH: CHN36 - 36" CHN72 - 72" CHN144 - 144" CHNLC(XX) Custom Length (Specify in Inches)</p>

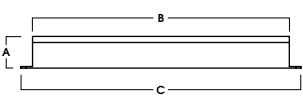
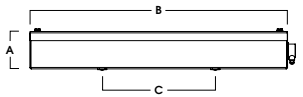
*MAXIMUM ONE PIECE STEM LENGTH IS 72". **MAXIMUM ONE PIECE STEM LENGTH IS 36". LONGER LENGTHS ARE POSSIBLE USING MULTIPLE STEMS AND COUPLERS. **ORDER IN 12" INCREMENTS. ODD SIZES MAY BE FIELD CUT

EMERGENCY BATTERY OPTIONS

EMCR - LARGE DRIVER CANOPY FOR 10W EMERGENCY BATTERY (FOR ROUND CEILING MOUNT TYPES)



REMOTE EMERGENCY BATTERY OPTIONS

<p>EMRM* - 7W REMOTE EMERGENCY BATTERY (50" MAX)</p>  <table border="1" data-bbox="576 913 771 955"> <thead> <tr> <th>A</th> <th>B</th> <th>C</th> </tr> </thead> <tbody> <tr> <td>1.3</td> <td>12.6</td> <td>13.0</td> </tr> </tbody> </table>	A	B	C	1.3	12.6	13.0	<p>EMEN* - 7W REMOTE EMERGENCY BATTERY WITH ENCLOSURE (50" MAX)</p>  <table border="1" data-bbox="941 913 1136 955"> <thead> <tr> <th>A</th> <th>B</th> <th>C</th> </tr> </thead> <tbody> <tr> <td>2.0</td> <td>17.0</td> <td>6.2</td> </tr> </tbody> </table>	A	B	C	2.0	17.0	6.2
A	B	C											
1.3	12.6	13.0											
A	B	C											
2.0	17.0	6.2											

*OTHER EM BATTERY SIZES AVAILABLE. CONTACT FACTORY.



COLOR OPTIONS - POWDER COAT PAINT FINISHES

NOTE: NO PRINTED IMAGE CAN EQUAL THE EXACT COLOR OF FINISH ON METAL.
SEE INDIVIDUAL SPECIFICATION SHEETS OR CONSULT FACTORY FOR ADDITIONAL INFORMATION.



STANDARD CORD / STEM / CANOPY FINISHES

FIXTURE COLOR	STANDARD CORD COLOR	STANDARD CANOPY / STEM COLOR
Matte White, Textured White	Matte White	Matte White
Gloss White	Matte White	Gloss White
Matte Black, Gloss Black, Textured Black	Matte Black	Matte Black
All Others	Matte Black	Same Color as Fixture
Custom Color	Contact Factory	Contact Factory

PAINT TIMES

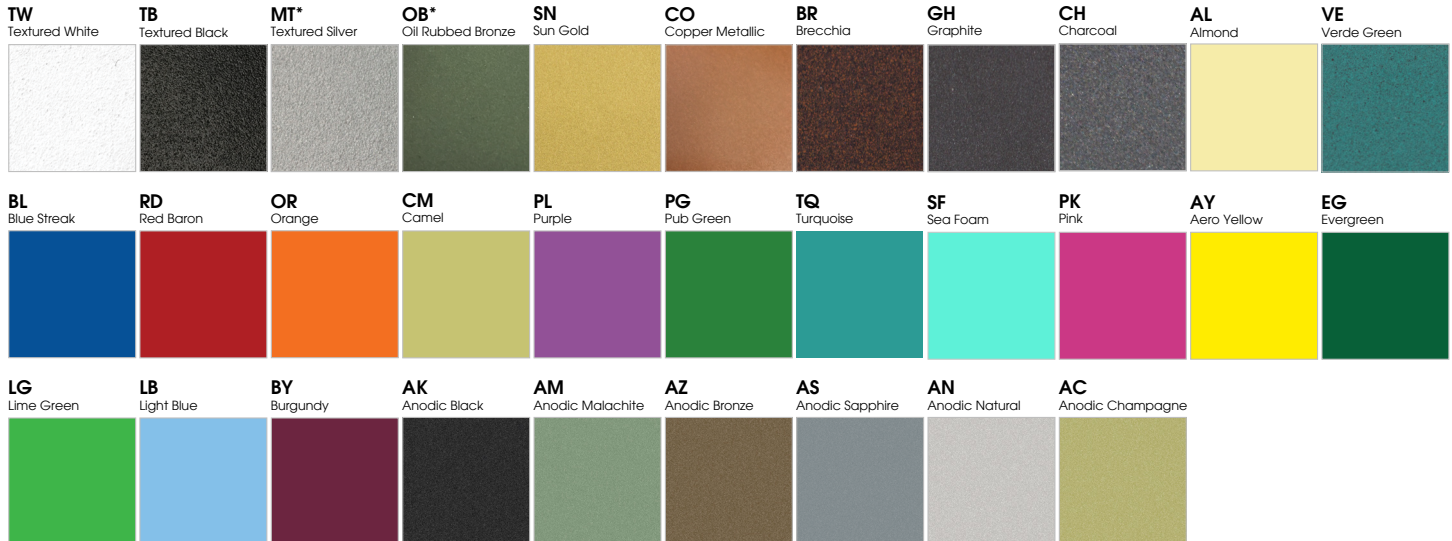
TIER	COST	AVERAGE PAINT TIME*
Tier 1 - Standard Finishes	\$	⓪
Tier 2 - Typical Finishes	\$\$	⓪⓪
Tier 3 - Special Metal Finishes	\$\$\$	⓪⓪⓪
Custom Color	Contact Factory	Contact Factory

*CONTACT FACTORY FOR SPECIFIC PRODUCT LEAD TIMES

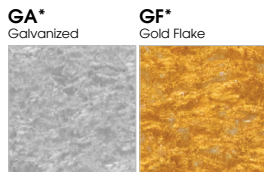
TIER 1 - STANDARD FINISHES



TIER 2 - TYPICAL FINISHES



TIER 3 - SPECIAL METAL FINISHES



CUSTOM COLOR FINISHES

CONTACT FACTORY

CC
Custom Color



*UNAVAILABLE FOR WET LOCATION

