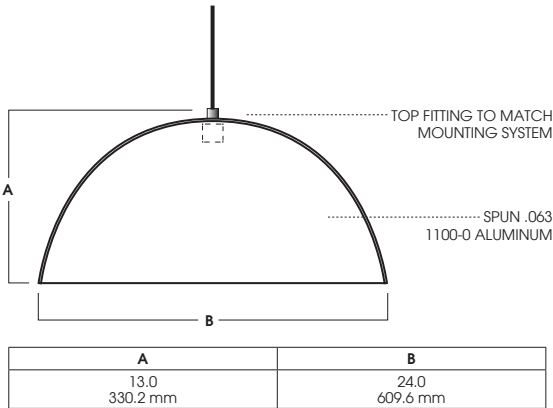


HALF DOME

100 WATT INCANDESCENT

speclume decorative



HD24INC

APPLICATION

Half dome hemisphere pendant for decorative area lighting.

FEATURES

Speclume series fixtures offers contemporary style with functional luminaire performance. All fixtures are designed and manufactured in our factory. A variety of lens, wattage and other options available.

FINISH

Multi-stage polyester powder-coat process applied on our dedicated paint lines. A wide variety of standard and custom finishes are available. All exposed materials are chromate pretreated to resist corrosion. Exterior may be finished in metallic finishes.

ELECTRONICS

Medium base E26 120V incandescent socket standard for Incandescent or LED lamps 120V, GU24 and GU10 option. Suitable for use with incandescent and LED lamps.

CONSTRUCTION

Fixtures are spun in our factory from 0.063 high purity aluminum.

CODE COMPLIANCE

ARRA Compliant. ETL listed for damp locations. Optional Wet location. Manufactured and tested to UL standard No. 1598.

SERIES	OPTIONS	INTERIOR FINISH	MOUNTING ²	OUTSIDE FINISH ⁴
HD24INC	GU24 GU24 Base Socket 120V GU10 GU10 Base Socket 120V MED Medium Base	MWI Matte White MBI Matte Black BZI Bronze OBI Oil Rubbed Bronze PTI Platinum SII Silver GAI Galvanized BAI Brushed Aluminum CHI Charcoal GHI Graphite AMI Anodic Malachite SNI Sun Gold VEI Verde Green BLI Blue Streak RDI Red Baron ORI Orange COI Copper Metallic	CP5 Flat Ceiling Canopy CD3 Cable and Cord Mounting CM Cord Mount HM3 Hang Straight Pendant PM3 Pendant/Straight Mount	MW Matte White MB Matte Black GB Gloss Black BZ Bronze OB Oil Rubbed Bronze PT Platinum SI Silver GA Galvanized BA Brushed Aluminum CH Charcoal GH Graphite AM Anodic Malachite SN Sun Gold VE Verde Green BL Blue Streak RD Red Baron OR Orange CO Copper Metallic

EXAMPLE: HD12INCGU24/ORI/CM36/BA

NOTES:
1 Requires CP13 Ballast Housing 2 See Mounting Page for Details 3 Specify Length in Inches 4 Contact Factory for Special Finishes

Dimensions shown are nominal. Spectrum Lighting is continually improving products and reserves the right to make changes that will not alter performance or appearance with or without written notice.



PROJECT:	TYPE:
CAT. NO.:	

WWW.SPECLIGHT.COM • 994 JEFFERSON STREET, FALL RIVER, MA 02721 • 508.678.2303 FAX 508.678.2260

