

# SDT 3" DUAL SURFACE TRACKLIGHT EURO SERIES / 4000 LUMENS



## SDT3XT

### APPLICATION

SDT 3" Dual Euro Series tracklight for accent, display lighting and general illumination.

### FEATURES

Rounded driver housing for clean design appearance. Front bezel accepts two accessories standard with three accessory option. Fixture rotates 359° and tilts/locks 45°. Passive cooled Zhaga compliant LED module for future maintenance or upgrade. Quick twist LED optics for field adjustment. Five track series available with a variety of surface, pendant and cord/clamp mounting.

### FINISH

Multi-stage polyester powder-coat process applied on our dedicated paint lines. A wide variety of standard and custom finishes are available. All exposed materials are chromate pretreated to resist corrosion.

### CONSTRUCTION

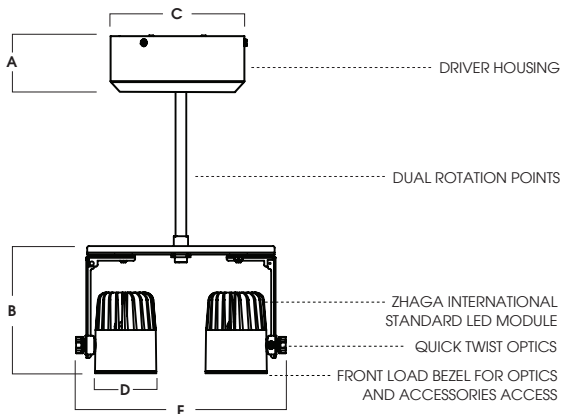
Die Cast and extruded aluminum construction.

### ELECTRONICS

LED system features Xicato LED module with proprietary phosphor technology that provides consistent, stable color with CCT control of +/- 100K over life of the module. Base CRI is 80 with 2 MacAdam Ellipse binning. High CRI is 95 with 1 MacAdam Ellipse binning. Vibrant (VK) enhanced white and beauty (BK) enhanced red LED options. Variety of electronic 120V/277V and dimming drivers.

### CODE COMPLIANCE

ARRA Compliant. ETL/CSA listed for damp locations. Manufactured and tested to UL standard No.1598/8750.



A	B	C	D	E
5.3 193 mm	6.8 81.3 mm	7.5 190.5 mm	3.3 254.0 mm	11.2 127 mm

WATTAGE / LUMENS DATA (PER MODULE)				
PART NUMBER	SOURCE LUMENS <sup>1</sup>	DELIVERED LUMENS <sup>2</sup>	SYSTEM WATTS	LPW
SDT3XT10L	1000	709	9.1	78
SDT3XT13L	1300	956	13.0	74
SDT3XT20L	2000	1470	21.7	68

SERIES	LUMENS <sup>1</sup>	CCT	BEAM	DRIVER / VOLTAGE <sup>3</sup>	ADAPTOR / MOUNTING	FINISH <sup>5</sup>	ACCESSORIES <sup>6</sup>	
SDT3XT	10L 1000 Lm 13L 1300 Lm 20L 2000 Lm	83 CRI	XN 10°	E Electronic Driver 10% 0-10V Dimming 2 Wire 1% Phase Dimming, 120V Only	1 120V 2 277V	ADAPTOR CP13 Surface Mounted Canopy / Driver Compartment MOUNTING PM(xx) <sup>4</sup> Pendant	MW Matte White MB Matte Black PT Platinum TW Textured White TB Textured Black MT Textured Silver BZ Bronze OB Oil Rubbed Bronze CH Charcoal GH Graphite AC Champagne SN Sun Gold BR Brecchia Rust AN Anodic Natural CO Copper Metallic CC Custom Color	SO34 Solite Diffuse Lens FG34 Frosted Lens SK34 Skytex Linear Clear Lens LN <sup>7</sup> Clear Lens SN34 Snoot HL34 Hex Louver 3AC 3 Accessory
			ND 26°					
			MD 48°					
			WD 60°					
			DS101					
			DS2W1					
		98 CRI	27HK 2700K					
			30HK 3000K					
			35HK 3500K					
			40HK 4000K					
			VIBRANT					
			30VK 3000K					
BEAUTY								
27BK 2700K								

EXAMPLE: SDT3XT10L27KNDE1/CP13/PM36/MW/SN34

#### NOTES:

1 Nominal Source Lumens at Any CCT 2 Nominal Delivered Lumens at 83 CRI at Any CCT With ND, No Lens 3 Contact Factory for Additional Options  
 4 See Mounting Options for Pendant Specifications 5 Contact Factory for Special Finishes 6 Accessory Finish Will Match Fixture 7 See Lens Page for Options

LIGHTSOURCE BY  
**XICATO**



Dimensions and values shown are nominal. Spectrum Lighting continually works to improve products and reserves the right to make changes which may alter the performance or appearance of products.



PROJECT:	TYPE:
CAT. NO.:	





# SDT 3" DUAL SURFACE TRACKLIGHT

## EURO SERIES / FIXTURE OPTIONS

### STANDARD FINISHES

Black adaptor standard for all finishes excluding MW which comes with white adaptor.

MW - MATTE WHITE



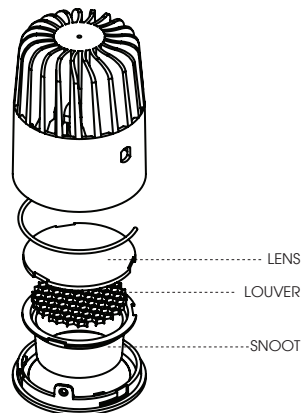
MB - MATTE BLACK



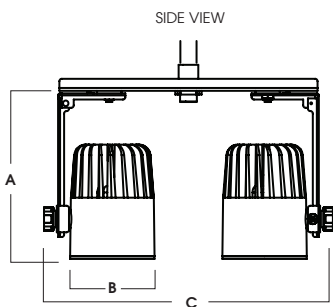
PT - PLATINUM



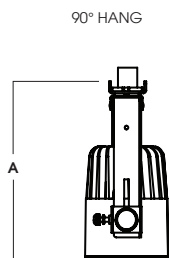
### FIXTURE COMPONENTS



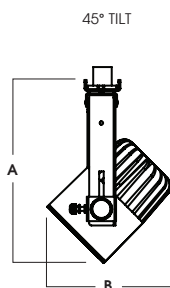
### FIXTURE DIMENSIONS



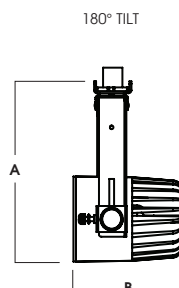
A	B	C
6.8	3.3	11.2
160.0 mm	99.1 mm	284.5 mm



A
6.8
160.0 mm



A	B
7.5	5.1
190.5 mm	129.5 mm



A	B
6.9	4.3
175.3 mm	109.2 mm