

speculume
decorative



AMBIENT INDIRECT SCONCE

XL SERIES / 2000 LUMEN MAX LED

ID406LEDXL - SDC5

APPLICATION

Ambient Series Sconce for indirect lighting illumination. Modern replacement for classic halogen fixture.

FEATURES

Wedge profile and clean detailing blend easily into interior design. Optics produce forward throw indirect output. Illuminates a wide area with smooth, hot-spot free illumination. Top lens available, in clear tempered glass or Solite™ Lens. Designed for surface mounting to octagonal J box.

FINISH

Multi-stage polyester powder-coat process applied on our dedicated paint lines. A wide variety of standard and custom finishes are available. All exposed materials are chromate pretreated to resist corrosion.

ELECTRONICS

LED system features Xicato LED module with proprietary phosphor technology that provides consistent stable color with CCT control of +/- 100K over life of the light engine. Base CRI is 80 with 1x2 MacAdam Ellipses binning.

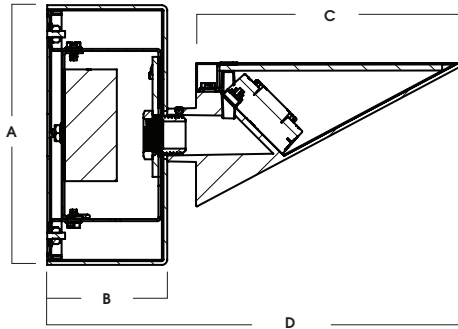
CONSTRUCTION

Fixture is die cast aluminum with stainless steel hardware. Recessed in wall housing is 20ga. galvanized steel to resist corrosion.

CODE COMPLIANCE

ARRA Compliant. UL listed. Damp location only. Manufactured and tested to UL standards No. 1598/8750.

SDC5 SQUARE SURFACE MOUNT DRIVER CANOPY



A	B	C	D
5.4	2.5	5.5	8.6
137.2 mm	63.5 mm	139.7 mm	218.4 mm

WATTAGE / LUMENS DATA

PART NUMBER	SOURCE LUMENS ¹	DELIVERED LUMENS ²	SYSTEM WAITS	LPW
ID406LEDXL16L	1600	1405	21.0	67
ID406LEDXL20L	2000	1694	27.7	61

SERIES	LED ¹	CCT	DRIVER / DIMMING ³	LENS	MOUNTING	FINISH ⁵	
ID406LEDXL	16L	1600 Lm	27K 2700K	EX Electronic Driver, 120V/277V	SDC5 Square Surface Driver Canopy	MW ⁶ Matte White MB ⁶ Matte Black PT ⁶ Platinum Silver TW Textured White TB Textured Black MT Textured Silver BZ Bronze OB Oil Rubbed Bronze CH Charcoal GH Graphite AC Champagne SN Sun Gold BR Brecchia Rust AN Anodic Natural CO Copper Metallic CC Custom Color	
	20L	2000 Lm	30K 3000K	DS10X 10%, 0-10V, 120V/277V			GL ⁴ Clear Glass Lens
			35K 3500K	DS2W1 1%, ELV/MLV, 120V, Dims to 0			SO Micro Prism
			40K 4000K	DO10X 1%, 0-10V, 120V/277V			Solite™ Lens
				FS Holder and Fuse			

EXAMPLE: ID406LEDXL20L35KDS2W1GLSDC5MW

NOTES:

1 Nominal Source Lumens at 3500K 2 Nominal Delivered Lumens at 80 CRI at Any CCT, No Lens 3 Contact Factory for Additional Options 4 Glass is Standard 5 Contact Factory for Special Finishes 6 Standard Finishes

Dimensions and values shown are nominal. Spectrum Lighting continually works to improve products and reserves the right to make changes which may alter the performance or appearance of products.



PROJECT:	TYPE:
CAT. NO.:	

WWW.SPECLIGHT.COM • 994 JEFFERSON STREET, FALL RIVER, MA 02721 • 508.678.2303 FAX 508.678.2260

LIGHTSOURCE BY
XICATO[®]

