

A	B	C
6.8	10.6	8.4
172.7 mm	269.2 mm	213.4 mm

SUBWAY SERIES

BULKHEAD SERIES / INCANDESCENT

rlm
classics



WJ1INC - WALL MOUNT / INTERIOR

APPLICATION

The LED Bulkhead Series offers rugged design. INC Series is designed for indoor damp locations.

FEATURES

Spectrum Lighting's RLM Classics are reproductions of contemporary lighting fixtures reimagined with modern INC light sources and materials. Frosted lamp enclosure (FJ1) is standard. A variety of colored lamp enclosures are available as well as guards and light shields. Available as wall mount.

FINISH

Multi-stage polyester powder-coat process applied on our dedicated paint lines. Variety of standard and custom finishes are available. All exposed materials are chromate pretreated to resist corrosion.

ELECTRONICS

E26 Edison medium base 120V socket for incandescent or LED lamps. Contact factory for other available socket options.

CONSTRUCTION

Fixture is constructed of cast aluminum.

CODE COMPLIANCE

BAA Compliant. ETL/CSA listed for dry/damp locations. Manufactured and tested to UL standards No. 1598/8750.

SERIES	ACCESSORIES ¹	MOUNTING ³	EXTERIOR FINISH
WJ1INC	FJ1² 3"x6.5" Frosted Glass GJ1 3"x6.5" Clear Glass PJ3 3"x6.5" Prismatic Glass AJ1 3"x6.5" Amber Glass RDJ1 3"x6.5" Red Glass GRJ1 3"x6.5" Green Glass BLJ1 3"x6.5" Blue Glass WJ1 Wire Guard CG1 Cast Wire Guard SS1 Side Lamp Shield BS1 Bottom Lamp Cup SPERF Lamp Shield Perforated WL Wet Location	WM⁴ Wall Mount	GW Gloss White MW Matte White MB Matte Black BZ Bronze PT Platinum Silver GA Galvanized CH Charcoal SN Sun Gold EG Evergreen BL Blue Streak AY Aero Yellow RD Red Baron CO Copper Metallic CC⁵ Custom Color

EXAMPLE: WJ1INCFJ1CG1WMMW

NOTES:

1 See Enclosures & Guards Page for Wire Guards and Additional Options 2 Standard Enclosure 3 See Mounting Pages Options and Details on Components and Finishes 4 Uses Wall Mounted Junction Box 5 See Color Page for More Options/Consult Factory for Special Finishes

Dimensions and values shown are nominal. Spectrum Lighting continually works to improve products and reserves the right to make changes which may alter the performance or appearance of products.



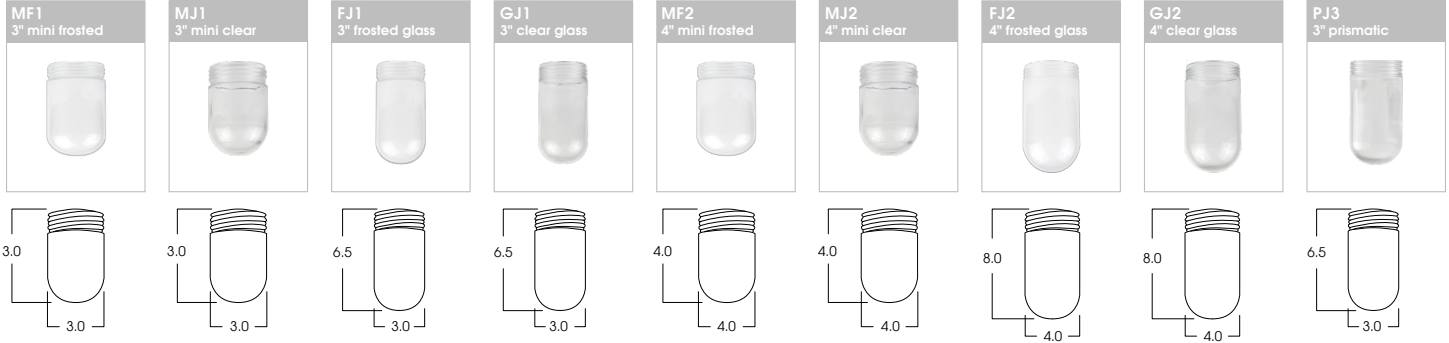
PROJECT:	TYPE:
CAT. NO.:	



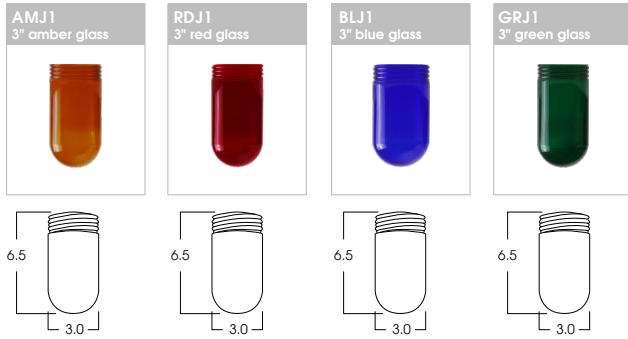


SOME OPTIONS NOT AVAILABLE ON ALL FIXTURES. CONSULT SPECIFICATION SHEETS. PLEASE SPECIFY ENCLOSURE WHEN ORDERING FIXTURES.
NOTE: FROSTED JAR PRODUCES BEST RESULTS WITH LED FIXTURES

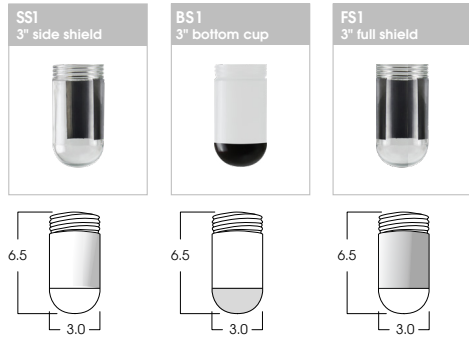
ENCLOSURES



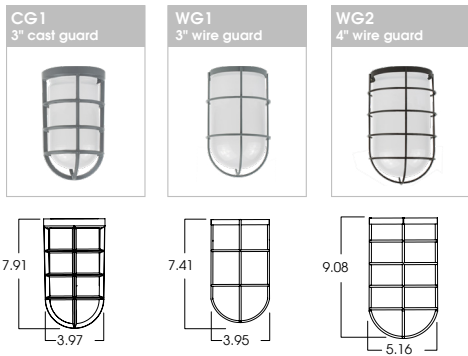
COLOR ENCLOSURES



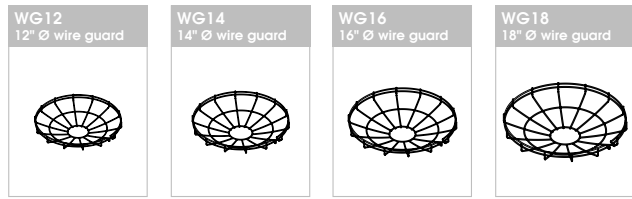
ENCLOSURES WITH SHIELDS



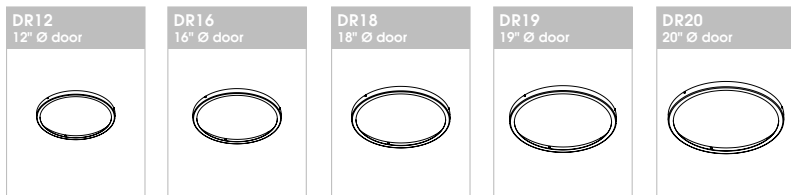
ENCLOSURE WIRE GUARDS



FIXTURE WIRE GUARDS



DOORS



Dimensions shown are nominal. Spectrum Lighting is continually improving products and reserves the right to make changes that will not alter performance or appearance with or without written notice.

PROJECT: _____ **TYPE:** _____

CAT. NO.: _____

