

Dimensioned with **NL1012INC**

A	B
11.8	10.0
299.7 mm	254.0 mm

NAUTICAL LIGHT

BULKHEAD SERIES / INCANDESCENT

rlm
classics



NL1012INC - INTERIOR

APPLICATION

Nautical Light RLM series for decorative area lighting. INC Series is designed for indoor damp locations.

FEATURES

Spectrum Lighting's RLM Classics are reproductions of early American lighting fixtures reimagined with modern INC light sources and materials. The wide range of options for illumination, mounting, enclosures, guards and finishes allows for creative fixture specification and design.

FINISH

Multi-stage polyester powder-coat process applied on our dedicated paint lines. Variety of standard and custom finishes are available. Interior painted same finish as exterior.

ELECTRONICS

E26 Edison medium base 120V socket for incandescent or LED lamps. Contact factory for other available socket options.

CONSTRUCTION

Fixture shades are spun in our factory from 0.063 high purity aluminum. Wall mount canopies are die-cast aluminum with stainless steel hardware. Wall arms are formed 3/4 NPT aluminum pipe.

CODE COMPLIANCE

ARRA Compliant. ETL/CSA listed for dry/damp locations. Manufactured and tested to UL standards No. 1598/8750.

SERIES	ACCESSORIES ¹	MOUNTING ⁴	EXTERIOR FINISH
NL1012INC	FJ2² 4"x8" Frosted Glass GJ2 4"x8" Clear Glass WJ2 Wire Guard WL³ Wet Location	WALL MOUNT CP6⁴ Wall Pipe Interface CP3 CP6 Decorative Cover PA⁵ Mounting Arm Style	GW Gloss White MW Matte White MB Matte Black BZ Bronze PT Platinum Silver GA Galvanized CH Charcoal SN Sun Gold EG Evergreen BL Blue Streak AY Aero Yellow RD Red Baron CO Copper Metallic CC⁷ Custom Color
		CEILING MOUNT HM⁶ Hang Straight Pendant HMAT⁶ Adjustable Length Hang Straight Pendant PM⁶ Pendant/Straight Mount HC Hook/Cord CD⁶ Cord and Cable Mount CM⁶ Cord Mount CHN⁶ Chain Mount	

EXAMPLE: NL1012INC FJ2WJ2CP6PA23BZ

NOTES:

1 See Enclosures & Guards Page for Wire Guards and Additional Options 2 Standard Enclosure 3 PM Mounting Recommended 4 See Mounting Pages Options and Details on Components and Finishes 5 See Mounting Page for Available Arm Options 6 Specify Length in Inches 7 See Color Page for More Options/ Consult Factory for Special Finishes

Dimensions and values shown are nominal. Spectrum Lighting continually works to improve products and reserves the right to make changes which may alter the performance or appearance of products.



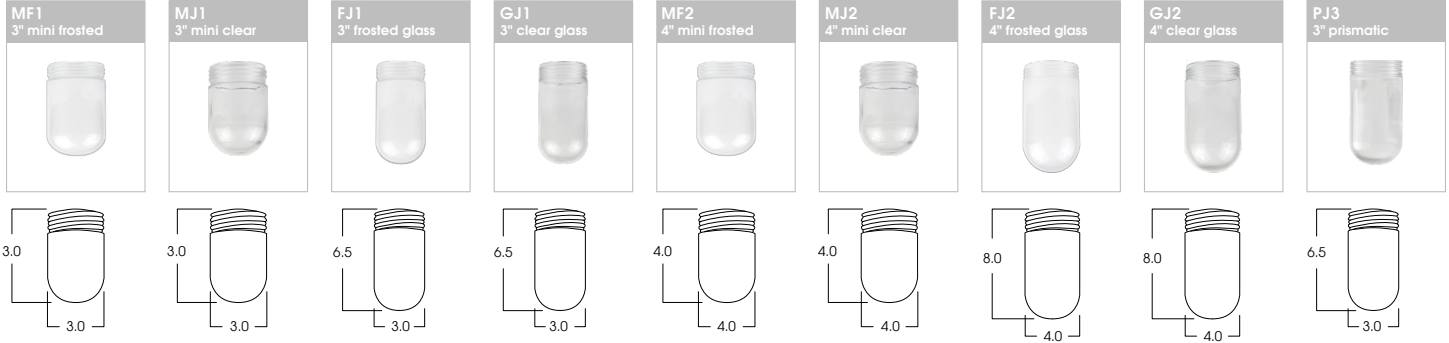
PROJECT:	TYPE:
CAT. NO.:	



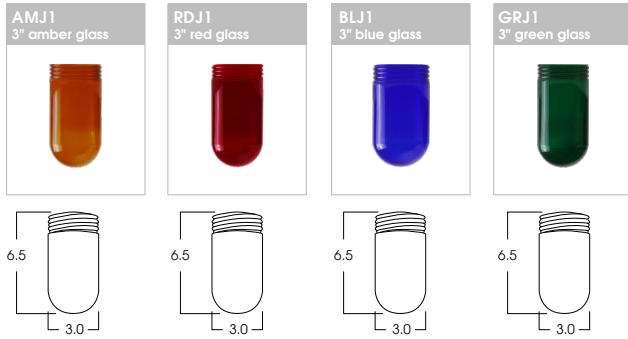


SOME OPTIONS NOT AVAILABLE ON ALL FIXTURES. CONSULT SPECIFICATION SHEETS. PLEASE SPECIFY ENCLOSURE WHEN ORDERING FIXTURES.
NOTE: FROSTED JAR PRODUCES BEST RESULTS WITH LED FIXTURES

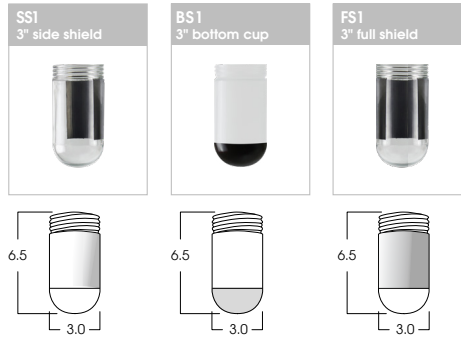
ENCLOSURES



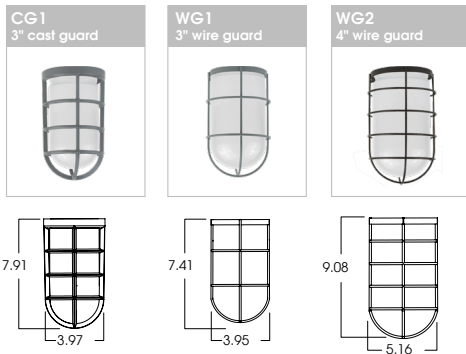
COLOR ENCLOSURES



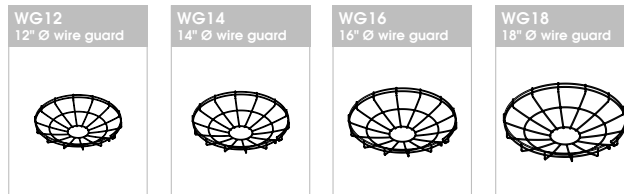
ENCLOSURES WITH SHIELDS



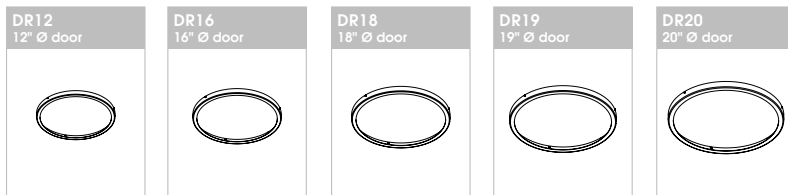
ENCLOSURE WIRE GUARDS



FIXTURE WIRE GUARDS



DOORS



Dimensions shown are nominal. Spectrum Lighting is continually improving products and reserves the right to make changes that will not alter performance or appearance with or without written notice.

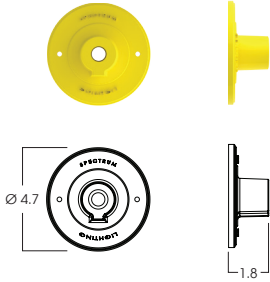
PROJECT:	TYPE:
CAT. NO.:	



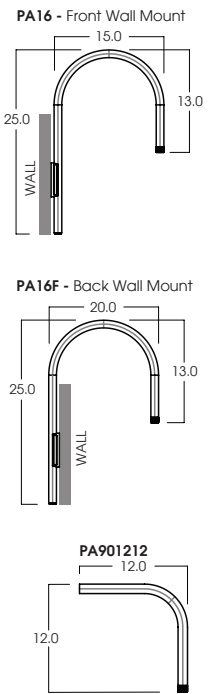
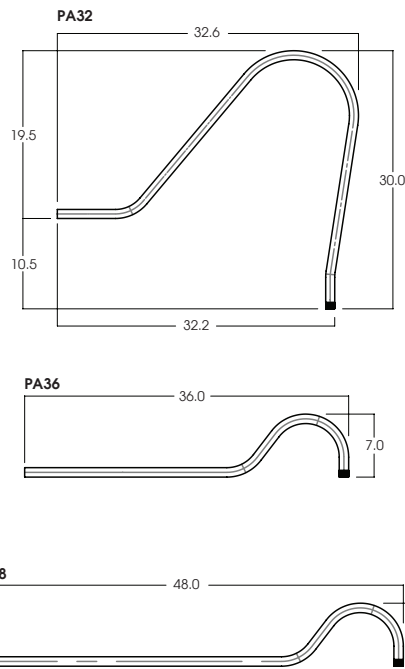
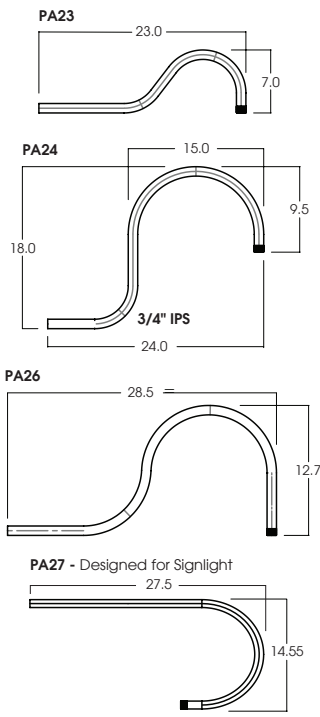
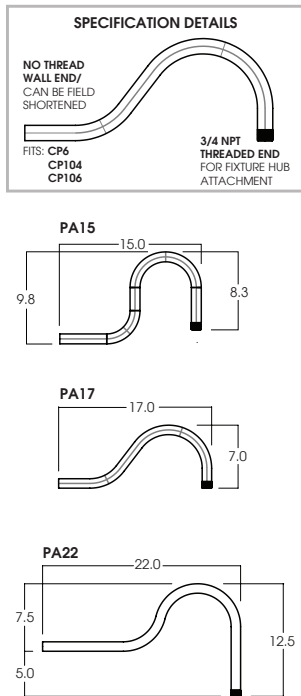
SOME OPTIONS NOT AVAILABLE ON ALL FIXTURES. CONSULT SPECIFICATION SHEETS. SEE INDIVIDUAL SPECIFICATION SHEETS OR CONSULT FACTORY FOR ADDITIONAL INFORMATION.
NOTE: THIS IS TYPICAL OF RLM SPECIFICATION FOR WALL MOUNTING. INDIVIDUAL FIXTURES OR PROJECTS MAY HAVE SPECIALIZED REQUIREMENTS.

WALL MOUNT CANOPIES

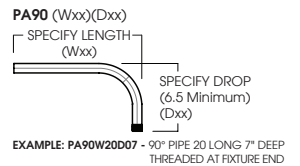
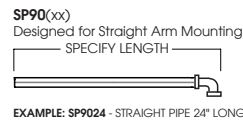
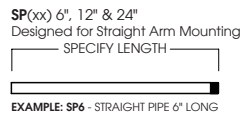
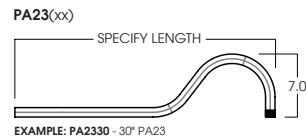
CP6 - MOUNTS DIRECTLY TO WALL OR OCTAGON STYLE J-BOX



WALL MOUNTING PIPES



CUSTOMIZED WALL MOUNTING PIPES



Dimensions and values shown are nominal. Spectrum Lighting continually works to improve products and reserves the right to make changes which may alter the performance or appearance of products.

PROJECT:	TYPE:
CAT. NO.:	

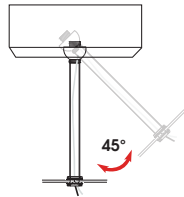




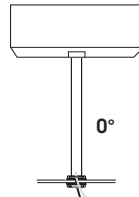
SOME OPTIONS NOT AVAILABLE ON ALL FIXTURES, CONSULT SPECIFICATION SHEETS. SEE INDIVIDUAL SPECIFICATION SHEETS OR CONSULT FACTORY FOR ADDITIONAL INFORMATION.
NOTE: THIS IS TYPICAL OF RLM SPECIFICATION FOR CEILING MOUNTING. INDIVIDUAL FIXTURES OR PROJECTS MAY HAVE SPECIALIZED REQUIREMENTS.

CEILING MOUNT CANOPIES - CANOPIES MOUNT TO OCTAGON STYLE J-BOX

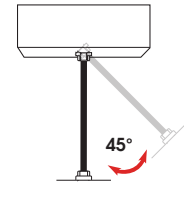
HM - HANG STRAIGHT



PM - RIGID PENDANT MOUNT



CM - CORD MOUNT



MOUNTING TYPES

HM* HANG STRAIGHT

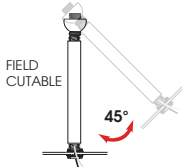
45° SWIVEL 1/2" STEM - 3/8" NPT



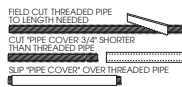
ORDER: **HM** (Length)
SPECIFY LENGTH:
HM3 - 3" **HM24** - 24"
HM6 - 6" **HM36** - 36"
HM12 - 12" **HM48** - 48"
HM18 - 18" **HM72** - 72"
HMLC(XX)
Custom Length
(Specify in Inches)

HMAT* HANG STRAIGHT ALL THREAD

45° SWIVEL 1/2" STEM - 1/4" IP

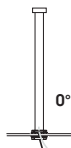


ORDER: **HMAT** (Length)
SPECIFY LENGTH:
HMAT12 - 12"
HMAT24 - 24"
HMAT36 - 36"
HMAT48 - 48"
HMAT72 - 72"
HMATLC(XX)
Custom Length
(Specify in Inches)



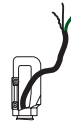
PM* RIGID PENDANT MOUNT

RIGID 1/2" STEM - 3/8" NPT



ORDER: **PM** (Length)
SPECIFY LENGTH:
PM3 - 3" **PM24** - 24"
PM6 - 6" **PM36** - 36"
PM12 - 12" **PM48** - 48"
PM18 - 18" **PM72** - 72"
PMLLC(XX)
Custom Length
(Specify in Inches)

HC HOOK / CORD OPTIONAL PLUG

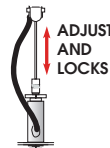


ORDER: **HCP** (Length)
SPECIFY LENGTH:
HC36 - 36"
HC72 - 72"
HC144 - 144"
HCLC(XX)
Custom Length
(Specify in Inches)

PLUG
LP120-120V Twist Lock
LP277-277V Twist Lock

CD CORD / CABLE MOUNT

SJ CORD WITH 1/16 SS CABLE



ORDER: **CD** (Length)
SPECIFY LENGTH:
CD36 - 36"
CD72 - 72"
CD144 - 144"
CDLC(XX)
Custom Length
(Specify in Inches)

CM CORD MOUNT

SJ CORD WITH STRAIN RELIEF



ORDER: **CM** (Length)
SPECIFY LENGTH:
CM36 - 36"
CM72 - 72"
CM144 - 144"
CMLC(XX)
Custom Length
(Specify in Inches)

CHN CHAIN MOUNT

SJ CORD / DECORATIVE CHAIN



ORDER: **CHN** (Length)
SPECIFY LENGTH:
CHN36 - 36"
CHN72 - 72"
CHN144 - 144"
CHNLC(XX)
Custom Length
(Specify in Inches)

*MAXIMUM ONE PIECE STEM LENGTH IS 72". LONGER LENGTHS ARE POSSIBLE USING MULTIPLE STEMS AND COUPLERS.

MOUNTING FINISH

Standard Canopy / Stem or Cord mounting finish is matte white. Black fixtures receive matte black mounting finish, silver fixture receive silver mounting finish. Custom colors and fixture color canopy and stem are available upon request.

MOUNTING COMPONENTS FINISH

FIXTURE COLOR	CANOPY / STEM / CORD COLOR
Matte White, Textured White	Matte White
Matte Black, Textured Black, Bronze, Oil Rubbed Bronze	Matte Black
Platinum, Textured Silver, Silver	Silver
All Others	Matte White
Custom Color	Canopy / Stem Same Color as Fixture

Dimensions and values shown are nominal. Spectrum Lighting continually works to improve products and reserves the right to make changes which may alter the performance or appearance of products.



PROJECT:	TYPE:
CAT. NO.:	

