

Dimensioned with AR1214INC

SERIES	A	B
AR1012INC	10.4	10.3
AR1214INC	12.9	12.3

## ANGLED REFLECTOR SIGN LIGHT SERIES / INCANDESCENT

rlm  
classics



### AR-INC - INTERIOR

#### APPLICATION

Angled Reflector light is perfect for a variety of sign and surface lighting applications. INC Series is designed for indoor damp locations

#### FEATURES

Spectrum Lighting's RLM Classics are reproductions of early American lighting fixtures reimagined with modern INC light sources and materials. The wide range of options for illumination, mounting, enclosures, guards and finishes allows for creative fixture specification and design. Available in two sizes.

#### FINISH

Multi-stage polyester powder-coat process applied on our dedicated paint lines. Variety of standard and custom finishes are available. Interior is Matte White unless specified.

#### ELECTRONICS

E26 Edison medium base 120V socket for incandescent or LED lamps. Contact factory for other available socket options.

#### CONSTRUCTION

Fixture shades are spun in our factory from 0.063 high purity aluminum. Wall mount canopies are die-cast aluminum with stainless steel hardware. Wall arms are formed 3/4 NPT aluminum pipe.

#### CODE COMPLIANCE

ARRA Compliant. ETL/CSA listed for dry/damp locations. Manufactured and tested to UL standards No. 1598/8750.

SERIES	ACCESSORIES <sup>1</sup>	MOUNTING <sup>4</sup>	EXTERIOR FINISH	
AR1012INC AR1214INC	3" DIAMETER		<b>GW</b> Gloss White <b>MW</b> Matte White <b>MB</b> Matte Black <b>BZ</b> Bronze <b>PT</b> Platinum Silver <b>GA</b> Galvanized <b>CH</b> Charcoal <b>SN</b> Sun Gold <b>EG</b> Evergreen <b>BL</b> Blue Streak <b>AY</b> Aero Yellow <b>RD</b> Red Baron <b>CO</b> Copper Metallic <b>CC<sup>7</sup></b> Custom Color	
	<b>FJ1<sup>2</sup></b>	3"x6.5" Frosted Glass		<b>CP6<sup>4</sup></b> Wall Pipe Interface <b>CP3</b> CP6 Decorative Cover <b>PA<sup>5</sup></b> Mounting Arm Style
	<b>GJ1</b>	3"x6.5" Clear Glass		
	<b>PJ3</b>	3"x6.5" Prismatic Glass		CEILING MOUNT <b>HM<sup>6</sup></b> Hang Straight Pendant <b>HMA<sup>6</sup></b> Adjustable Length Hang Straight Pendant <b>PM<sup>6</sup></b> Pendant/Straight Mount <b>HC</b> Hook/Cord <b>CD<sup>6</sup></b> Cord and Cable Mount <b>CM<sup>6</sup></b> Cord Mount <b>CHN<sup>6</sup></b> Chain Mount
	<b>AJ1</b>	3"x6.5" Amber Glass		
	<b>RDJ1</b>	3"x6.5" Red Glass		
	<b>GRJ1</b>	3"x6.5" Green Glass		
	<b>BLJ1</b>	3"x6.5" Blue Glass		
	<b>WJ1</b>	Wire Guard		
	<b>CG1</b>	Cast Wire Guard		
<b>SS1</b>	Side Lamp Shield			
<b>BS1</b>	Bottom Lamp Cup			
<b>WL<sup>3</sup></b>	Wet Location			
	4" DIAMETER			
	<b>FJ2<sup>2</sup></b>	4"x8" Frosted Glass		
	<b>GJ2</b>	4"x8" Clear Glass		
	<b>WJ2</b>	Wire Guard		
	<b>WL<sup>3</sup></b>	Wet Location		

EXAMPLE: AR1012INCFJ1HM36MW

#### NOTES:

1 See Enclosures & Guards Page for Wire Guards and Additional Options 2 Standard Enclosure 3 PM Mounting Recommended 4 See Mounting Pages Options and Details on Components and Finishes 5 See Mounting Page for Available Arm Options 6 Specify Length in Inches 7 See Color Page for More Options/ Consult Factory for Special Finishes

Dimensions and values shown are nominal. Spectrum Lighting continually works to improve products and reserves the right to make changes which may alter the performance or appearance of products.



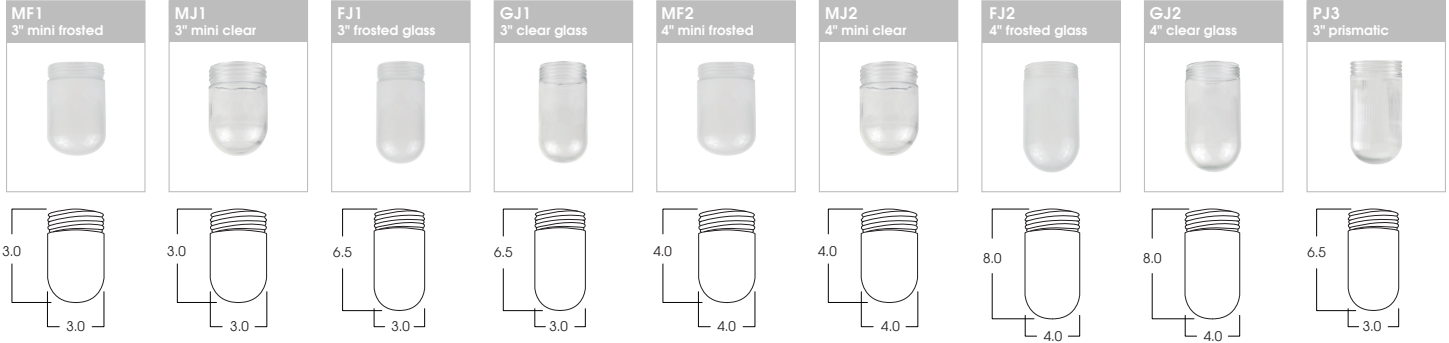
PROJECT:	TYPE:
CAT. NO.:	



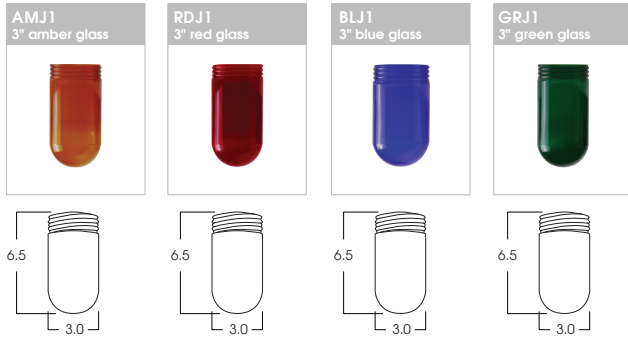


SOME OPTIONS NOT AVAILABLE ON ALL FIXTURES. CONSULT SPECIFICATION SHEETS. PLEASE SPECIFY ENCLOSURE WHEN ORDERING FIXTURES.  
NOTE: FROSTED JAR PRODUCES BEST RESULTS WITH LED FIXTURES

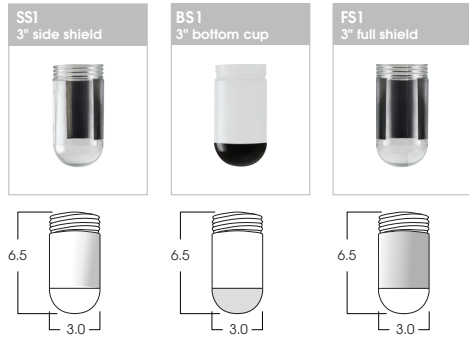
**ENCLOSURES**



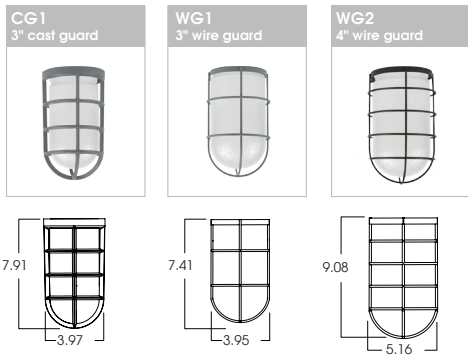
**COLOR ENCLOSURES**



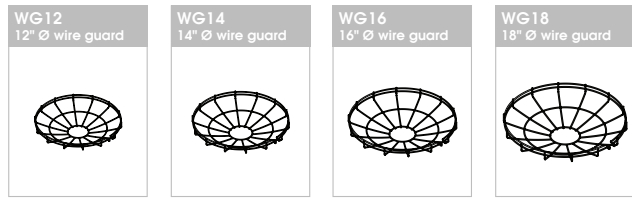
**ENCLOSURES WITH SHIELDS**



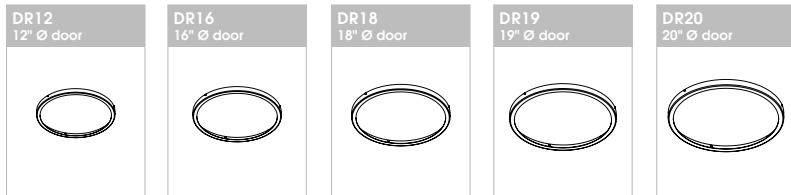
**ENCLOSURE WIRE GUARDS**



**FIXTURE WIRE GUARDS**



**DOORS**



Dimensions shown are nominal. Spectrum Lighting is continually improving products and reserves the right to make changes that will not alter performance or appearance with or without written notice.

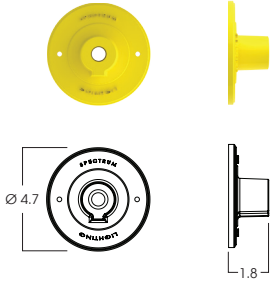
<b>PROJECT:</b>	<b>TYPE:</b>
<b>CAT. NO.:</b>	



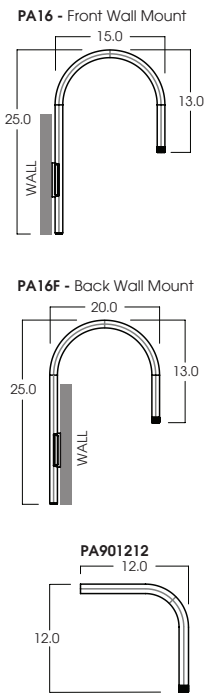
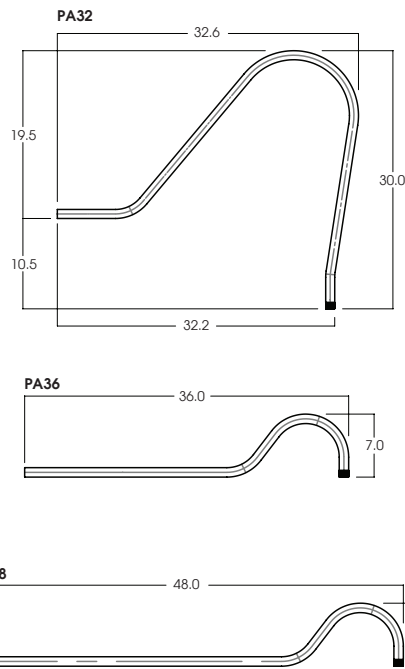
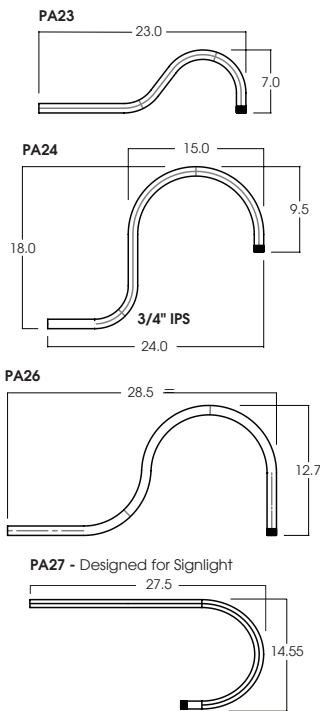
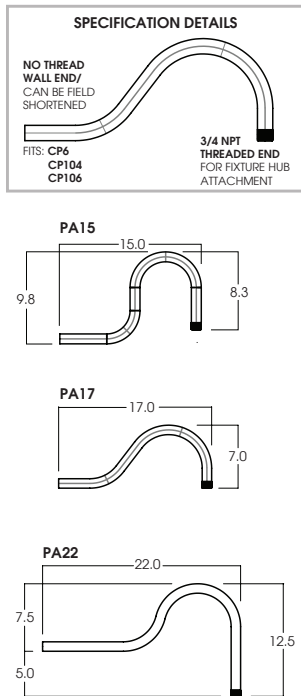
SOME OPTIONS NOT AVAILABLE ON ALL FIXTURES. CONSULT SPECIFICATION SHEETS. SEE INDIVIDUAL SPECIFICATION SHEETS OR CONSULT FACTORY FOR ADDITIONAL INFORMATION.  
NOTE: THIS IS TYPICAL OF RLM SPECIFICATION FOR WALL MOUNTING. INDIVIDUAL FIXTURES OR PROJECTS MAY HAVE SPECIALIZED REQUIREMENTS.

**WALL MOUNT CANOPIES**

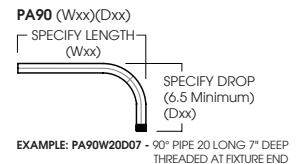
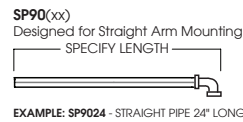
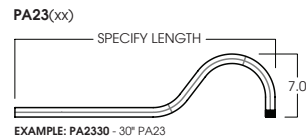
CP6 - MOUNTS DIRECTLY TO WALL OR OCTAGON STYLE J-BOX



**WALL MOUNTING PIPES**



**CUSTOMIZED WALL MOUNTING PIPES**



Dimensions and values shown are nominal. Spectrum Lighting continually works to improve products and reserves the right to make changes which may alter the performance or appearance of products.

<b>PROJECT:</b>	<b>TYPE:</b>
<b>CAT. NO.:</b>	

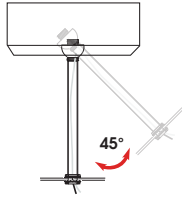




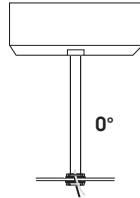
SOME OPTIONS NOT AVAILABLE ON ALL FIXTURES, CONSULT SPECIFICATION SHEETS. SEE INDIVIDUAL SPECIFICATION SHEETS OR CONSULT FACTORY FOR ADDITIONAL INFORMATION.  
NOTE: THIS IS TYPICAL OF RLM SPECIFICATION FOR CEILING MOUNTING. INDIVIDUAL FIXTURES OR PROJECTS MAY HAVE SPECIALIZED REQUIREMENTS.

## CEILING MOUNT CANOPIES - CANOPIES MOUNT TO OCTAGON STYLE J-BOX

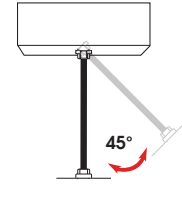
### HM - HANG STRAIGHT



### PM - RIGID PENDANT MOUNT



### CM - CORD MOUNT



## MOUNTING TYPES

### HM\* HANG STRAIGHT

45° SWIVEL 1/2" STEM - 3/8" NPT



ORDER: **HM** (Length)

SPECIFY LENGTH:

**HM3** - 3" **HM24** - 24"

**HM6** - 6" **HM36** - 36"

**HM12** - 12" **HM48** - 48"

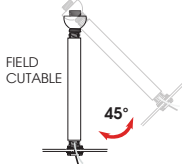
**HM18** - 18" **HM72** - 72"

**HMLC(XX)**

Custom Length  
(Specify in Inches)

### HMAT\* HANG STRAIGHT ALL THREAD

45° SWIVEL 1/2" STEM - 1/4" IP



ORDER: **HMAT** (Length)

SPECIFY LENGTH:

**HMAT12** - 12"

**HMAT24** - 24"

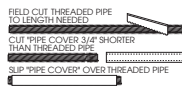
**HMAT36** - 36"

**HMAT48** - 48"

**HMAT72** - 72"

**HMATLC(XX)**

Custom Length  
(Specify in Inches)



### PM\* RIGID PENDANT MOUNT

RIGID 1/2" STEM - 3/8" NPT



ORDER: **PM** (Length)

SPECIFY LENGTH:

**PM3** - 3" **PM24** - 24"

**PM6** - 6" **PM36** - 36"

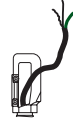
**PM12** - 12" **PM48** - 48"

**PM18** - 18" **PM72** - 72"

**PMLLC(XX)**

Custom Length  
(Specify in Inches)

### HC HOOK / CORD OPTIONAL PLUG



ORDER: **HCP** (Length)

SPECIFY LENGTH:

**HC36** - 36"

**HC72** - 72"

**HC144** - 144"

**HCLC(XX)**

Custom Length  
(Specify in Inches)

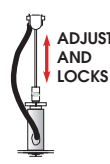
**PLUG**

**LP120**-120V Twist Lock

**LP277**-277V Twist Lock

### CD CORD / CABLE MOUNT

SJ CORD WITH 1/16 SS CABLE



ORDER: **CD** (Length)

SPECIFY LENGTH:

**CD36** - 36"

**CD72** - 72"

**CD144** - 144"

**CDLC(XX)**

Custom Length  
(Specify in Inches)

### CM CORD MOUNT

SJ CORD WITH STRAIN RELIEF



ORDER: **CM** (Length)

SPECIFY LENGTH:

**CM36** - 36"

**CM72** - 72"

**CM144** - 144"

**CMLC(XX)**

Custom Length  
(Specify in Inches)

### CHN CHAIN MOUNT

SJ CORD / DECORATIVE CHAIN



ORDER: **CHN** (Length)

SPECIFY LENGTH:

**CHN36** - 36"

**CHN72** - 72"

**CHN144** - 144"

**CHNLC(XX)**

Custom Length  
(Specify in Inches)

\*MAXIMUM ONE PIECE STEM LENGTH IS 72". LONGER LENGTHS ARE POSSIBLE USING MULTIPLE STEMS AND COUPLERS.

## MOUNTING FINISH

Standard Canopy / Stem or Cord mounting finish is matte white. Black fixtures receive matte black mounting finish, silver fixture receive silver mounting finish. Custom colors and fixture color canopy and stem are available upon request.

## MOUNTING COMPONENTS FINISH

FIXTURE COLOR	CANOPY / STEM / CORD COLOR
Matte White, Textured White	Matte White
Matte Black, Textured Black, Bronze, Oil Rubbed Bronze	Matte Black
Platinum, Textured Silver, Silver	Silver
All Others	Matte White
Custom Color	Canopy / Stem Same Color as Fixture

Dimensions and values shown are nominal. Spectrum Lighting continually works to improve products and reserves the right to make changes which may alter the performance or appearance of products.



PROJECT:

TYPE:

CAT. NO.:

