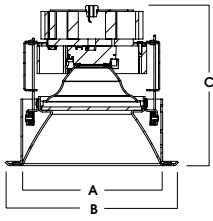
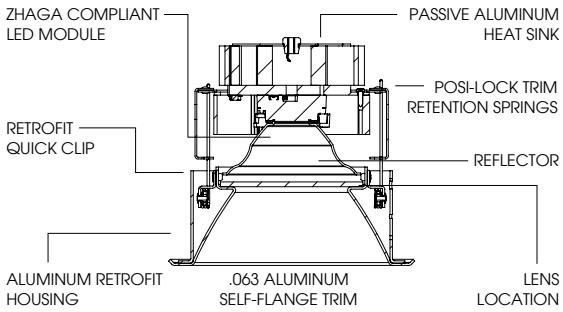




# 8" ROUND REMODEL DOWNLIGHT TUNABLE COLOR (HUE) LU SERIES / 2000 LUMENS MAX



FIT SIZE	
SERIES	8"
MINIMUM	7 <sup>3/4</sup>
MAXIMUM	8 <sup>7/16</sup>

A	B	C	D
8.0 203.2 mm	9.1 231.1 mm	6.8 172.7 mm	7.7 195.6 mm

## SGRTE8LEDLU - TRIM FLANGE / NON-IC RATED

### APPLICATION

8" Round LU LED downlight retrofit or remodel platform with Tunable color (HUE) LED system. System can be programmed for scenes or set for manual control. Adjusts to over 300,000 colors as well as 1650K-8000K white light.

### FEATURES

Remodel round downlight housing designed for install in finished "hard" ceiling or into existing precut hole. Quick mount remodel spring clips with mechanical lock down. Return edge to seat fixture in ceiling. Fixture will work in up to 1" thick ceiling<sup>1</sup>. Two-stage optical system for smooth light distribution and focus control. Quick change LED module with interchangeable optics for job site adjustment and fixture maintenance. Shallow plenum design. Tool-less driver and j-box access. Posi-lock trim retention torsion springs.

### TRIM FINISH

A variety of architectural powdercoat and anodized finishes are available. Matte White self-flange is standard.

### ELECTRONICS

LED system features LED module with proprietary Tunable color (HUE) technology that provides consistent, stable color with CCT control of +/- 100K over life of the light engine. Base CRI is 90 with <2 MacAdam Ellipse binning. Variety of dimming controls (by Others).

### CONSTRUCTION

Housing/frame constructed of #20 ga. galvanized steel to resist corrosion. Self-flanged one piece trim spun from 0.063" thick high purity aluminum and finished to specification.

### CODE COMPLIANCE

BAA Compliant. Non-IC rated. ETL certified to meet US and Canadian standards. Suitable for dry or damp locations. Optional Wet location. Manufactured and tested to UL standards No. 1598/8750.

WATTAGE TO LUMENS UPDATE		
PART NUMBER	SOURCE LUMENS <sup>2</sup>	SYSTEM WATTS
SGRTE8LEDLU12L	1250	25
SGRTE8LEDLU15L	1500	32
SGRTE8LEDLU20L	2000	43

SERIES	LUMENS <sup>2</sup>	CCT / K	BEAM	CONTROL / VOLTAGE <sup>3</sup>	OPTIONS <sup>6</sup>	TRIM	FINISH	TRIM OPTIONS <sup>9</sup>				
SGRTE8LEDLU	12L	1250 Lm	80CMX 80K-16K	ND 1% 0-10V Dimming MD 1% Lutron® EcoSystem® Fade WD DMX Standard Configuration XW DMX <sup>5</sup>	1 120V 2 277V	FS CR GR	Fusing Corrosion Resistant Goof Ring	AR8466LU	SG <sup>7</sup>	Semi-Diffuse	PF <sup>10</sup>	Polished Flange
	15L	1500 Lm							HZ	Haze Full Diffuse	SOX <sup>11</sup>	Micro Prism Solite™ Lens
	20L	2000 Lm							MW	Matte White	PGX	Prismatic Glass Lens
									MB	Matte Black	GLX	Clear Glass Lens
		PT	Platinum Silver	FGX	Frosted Glass Lens							
		OB	Oil Rubbed Bronze	SOW	Micro Prism Solite™ Lens							
		CH	Charcoal		Wet Location							
		AC	Anodic Champagne	AS	Prismatic Glass Lens							
		AS	Anodic Sapphire	AM	Wet Location							
		AM	Anodic Malachite	SN	Clear Glass Lens							
		SN	Sun Gold	CO	Wet Location							
		CO	Copper Metallic	GH	Clear Glass Lens							
		GH	Graphite	AMB	Frosted Glass Lens							
		AMB	Anti Microbial Finish	CC <sup>8</sup>	Wet Location							
		CC <sup>8</sup>	Custom Color									

EXAMPLE: SGRTE8LEDLU12L80CMXMDDU1/AR8466LUMWSOX

NOTES:  
 1 Consult Factory for Thicker Ceiling 2 Peak Source Lumens 3 Contact Factory for Additional Options 4 Refer to CMX Controls Page 5 Contact Factory 6 See Product Options Page For Details 7 Standard Finish  
 8 Contact Factory for Special Finishes 9 Consult Factory for Special Lenses/Louvers 10 Flange and Reflector Same Finish 11 Standard Lens

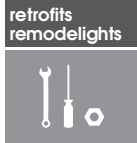


PROJECT: \_\_\_\_\_  
 TYPE: \_\_\_\_\_



Dimensions and values shown are nominal. Spectrum Lighting continually works to improve products and reserves the right to make changes which may alter the performance or appearance of products.

# 8" ROUND REMODEL DOWNLIGHT TUNABLE COLOR (HUE) LU SERIES / CTM OPTIONS



**DU1 / DU2** - Fixture can be operated by the following 3 methods (Does Not Require DCA).

1. Use araya app. option for wireless control of dimming and color tuning. (See Figure 3)
2. Use with 0-10V controller and araya app. to control dimming and using color. (See Figure 4)
3. Use with (2) sets of 0-10V controllers and araya app. to activate sceneset feature or change CCT levoks. (See figure 5 &5B)

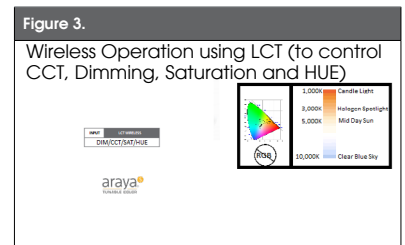
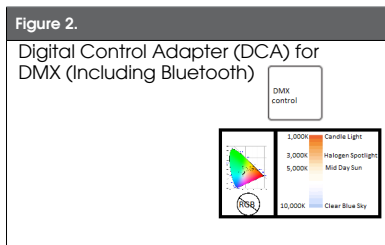
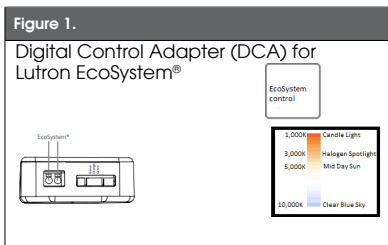
**DL3E1 / DL3E2** - For control of dimming and color tuning with EcoSystem controller (Supplied by Lutron) Fixture supplied with DCA<sup>1</sup>. (See Figure 1)

**DMX1 / DMX2** - For control of dimming and color tuning with minimum 4 channel DMX controller (Supplied by Others) Also can be programmed with araya app<sup>1</sup>. (See Figure 2 & 2B)

Consult Factory for additional questions and information.

**NOTES:**

<sup>1</sup> Araya app. can be used to assign DMX addressed with Buetooth app. (iOS Only) (Download by Others)



\*\*Requires araya Tunable Color iOS APP

