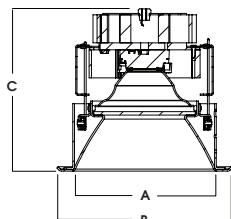
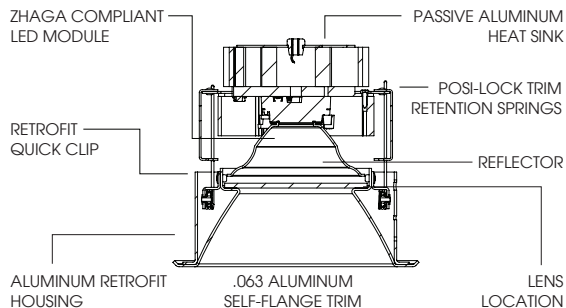




4"-14" ROUND REMODEL PLATFORM DYNAMIC DIMMING LU SERIES / 1600 LUMENS MAX LED



	A	B	C	CEILING CUT OUT
SERIES	FLANGE SIZE	DEPTH		
4"	5.38	5.5	4.6	
5"	6.26	6.0	5.1	
6"	7.48	6.8	6.2	
7"	8.43	6.8	6.9	
8"	9.12	6.8	7.7	
9"	10.13	6.8	8.6	
10"	11.25	6.8	9.7	
12"	13.12	6.8	11.6	
14"	15.24	7.0	13.8	

FIT SIZE		4"	5"	6"	7"	8"	9"	10"	12"	14"
MINIMUM		4 ^{5/8}	5 ^{1/8}	6 ^{1/8}	6 ^{15/16}	7 ^{3/4}	8 ^{11/16}	9 ^{1/16}	11 ^{11/16}	13 ^{11/16}
MAXIMUM		4 ^{7/8}	5 ^{5/8}	6 ^{7/16}	7 ^{7/16}	8 ^{7/16}	9 ^{7/16}	10 ^{9/16}	12 ^{7/16}	14 ^{1/2}

SGRTE-LEDLU - TRIM FLANGE / NON-IC RATED

APPLICATION

Round LU LED retrofit or remodel platform. Kelvin Tunable (K+) white light LED system that warms as it dims from 3050K at full intensity to 1800K at 1% intensity.

FEATURES

Remodel round downlight housing designed for install in finished "hard" ceiling or into existing precut hole. Quick mount remodel spring clips with mechanical lock down. Return edge to seat fixture in ceiling. Fixture will work in up to 1" thick ceiling¹. Two-stage optical system for smooth light distribution and focus control. Quick change LED module with interchangeable optics for job site adjustment and fixture maintenance. Shallow plenum design. Tool-less driver and j-box access.

TRIM FINISH

A variety of architectural powdercoat and anodized finishes are available. Matte White self-flange is standard.

ELECTRONICS

LED system features LED module with proprietary technology that provides consistent, stable color over life of the light engine. Base CRI is 90 with <2 MacAdam Ellipses binning. Variety of dimming controls (by Others). DCA is a digital control adapter which enables fixtures powered by EcoSystem® lighting protocol to be converted to a digital link.

CONSTRUCTION

Housing/frame constructed of #18 ga. aluminum to resist corrosion. Self-flanged one piece trim spun from 0.063" thick high purity aluminum and finished to specification.

CODE COMPLIANCE

ARRA Compliant. Non-IC rated. ETL listed for damp locations. Optional Wet location. Manufactured and tested to UL standards No. 1598/8750.

WATTAGE TO LUMENS UPDATE

CURRENT PART NUMBER EXAMPLE	PREVIOUS PART NUMBER EXAMPLE	SOURCE LUMENS ²	DELIVERED LUMENS
SGRTE6LEDLU13L	SGRTE6LEDLU20W	1300	25
SGRTE6LEDLU16L	SGRTE6LEDLU30W	1600	32

RETROFIT HOUSING SPECIFICATION

SERIES	LUMENS ²	CCT / K	BEAM	CONTROL / VOLTAGE ³	OPTIONS ⁵
SGRTE4LEDLU	13L 1300 Lm	30DDM 30K - 18K	ND 20°	DU_ 1% 0-10V Dimming	1 120v FS Fusing
SGRTE5LEDLU	16L 1600 Lm		MD 30°	LDE_4 ECO System Dimming	2 277v CR Corrosion Resistant
SGRTE6LEDLU			WD 40°		GR Goof Ring
SGRTE7LEDLU			XW 50°		WP12 12" Whip
SGRTE8LEDLU					WP24 24" Whip
SGRTE9LEDLU					WP36 36" Whip
SGRTE10LEDLU					
SGRTE12LEDLU					
SGRTE14LEDLU					

TRIM SPECIFICATION

TRIM / FINISH ⁶		TRIM OPTIONS ⁹
AR4466LU	SG ⁷ Semi-Diffuse	SOX ¹⁰ Micro Prism Solite™ Lens
AR5466LU	HZ Haze Full Diffuse	
AR6466LU	MW Matte White	PGX Prismatic Glass Lens
AR7466LU	MB Matte Black	GLX Clear Glass Lens
AR8466LU	AC Anodic Champagne	FGX Frosted Glass Lens
AR9466LU	AS Anodic Sapphire	
AR1066LU	PT Platinum Silver	SOW Micro Prism Solite™ Lens Wet Location
AR1266LU	OB Oil Rubbed Bronze	PGW Prismatic Glass Lens Wet Location
AR1466LU	CH Charcoal	AS Anodic Sapphire
	AM Anodic Malachite	GLW Clear Glass Lens Wet Location
	SN Sun Gold	CO Copper Metallic
	GH Graphite	GH Graphite
	AMB Anti Microbial Finish	FWG Frosted Glass Lens Wet Location
	CC Custom Color	
	PF ⁸ Polished Flange	

EXAMPLE: SGRTE6LEDLU13L30DDMMDDU1/AR6466LUSGSOX

NOTES:

1 Consult Factory for Thicker Ceiling 2 Nominal Source Lumens 3 Contact Factory for Additional Options 4 DCA Control Supplied 5 See Product Options Page For Details 6 Contact Factory for Special Finishes 7 Standard Finish 8 Flange and Reflector Same Finish 9 Consult Factory for Special Lenses/Louvers 10 Standard Lens

Dimensions and values shown are nominal. Spectrum Lighting continually works to improve products and reserves the right to make changes which may alter the performance or appearance of products.



PROJECT:	TYPE:
CAT. NO.:	

