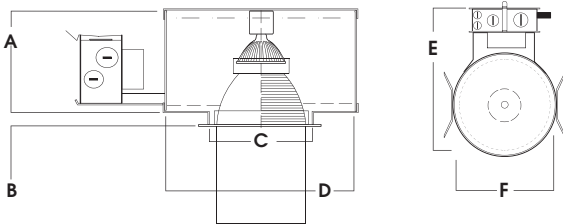
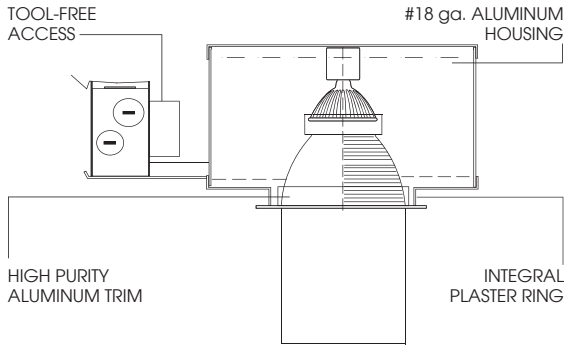


# 3.5" DECORATIVE TRIM MR16 LAMP DOWNLIGHT

65 WATT MAX INCANDESCENT



A	B	C	D	E	F
4.6	0.6	3.5	8.0	13.0	8.0
117.5 mm	15.8 mm	88.9 mm	203.2 mm	330.2 mm	203.2 mm

## SGDG4X APPLICATION

3.5" aperture round MR16 downlight with decorative trims.

## FEATURES

- Integral 5/8" (0.625) plaster ring.
- Maximum wattage label (MWL) for low wattage Halogen or LED lamps.
- Tool-less transformer access.
- Multi-bar adjustable mounting brackets.

## FINISH

- Variety of decorative metal and glass trims.
- Eco Black (EB) finish available on frame/ housing.

## ELECTRONICS

120V Electronic transformer is standard.

## CONSTRUCTION

- Frame constructed of 20 ga. aluminum.
- Trim spun from .063 high purity aluminum and finished to specification.

## LABELS

- UL/ ETL Listed for Damp Locations.
- Manufactured and tested to UL Standard No. 1598.

SERIES	TRANSFORMER	OPTIONS	TRIM / FINISH	TRIM OPTIONS	FIXTURE LAMPING	
SGDG4X- Spectrum Gold 4" Vertical	E1 -Electronic, 120V	BH27 -27" Bar Hangers (Supplied)	AR4250-SG -Semi-Diffuse Low-Iridescent	GS -Gasket	LAMP	MAX. WATTAGE
	E2 -Electronic, 277V	BH6 -Expandable Bar Hangers, 6" - 12"		*FRG -Semi-Flush Bezel w/ Frosted Glass (Specify Finish)		
	MGN1 -Magnetic Transformer 120V	BH12 -Expandable Bar Hangers, 12" - 24"	GO -Gold Alzak	1CFG1 -Center Frosted Glass Tier	MR-16	65w
	MGN2 -Magnetic Transformer 277V	CB24 -C-Channel Bars	WE -Wheat Alzak	1CGT -Clear Glass Tier		
	E1LED -Transformer for use with LED MR16 lamps 120v	CCEA -Chicago Ceiling Plenum CCEA	GW -Gloss White Finish	1OFG1 -Center Frosted Glass Tier		
	NTR - No Transformer	CR -Corrosion Resistant	MW -Matte White	1FRG -Frosted Glass Ring		
		FS -Fuse Holder and Fuse	MB -Matte Black	1CRG -Clear Glass Ring		
		IC -Insulation Contact (See IC Options)	MT -Mini Sek Silver	*1TMR -Small Polished Metal Ring Tier (Specify Finish)		
		MWL(**) -Maximum Wattage Dedicated Transformer and Label (20w, 37w, 50w)		CE1 -Cluster Crystal Grouping		
		PR -Plaster Ring		FGCY3 -Slim Frosted 3" Cylinder		
		TBC -T-bar Clips		LN16 -See Recessed Fixtures/ Lens Options for Lens, Louver, and Filter Accessories		
		TR -Top Relamping Option				
		EB -Eco Black Housing Finish				

**Lens Options for Lamp Holder:**  
LN16 - Color lens Options  
\*(See Recessed Lens Options  
Spec Sheet)  
HL16 - Hex Louver

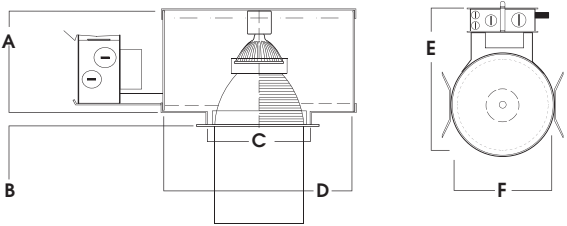
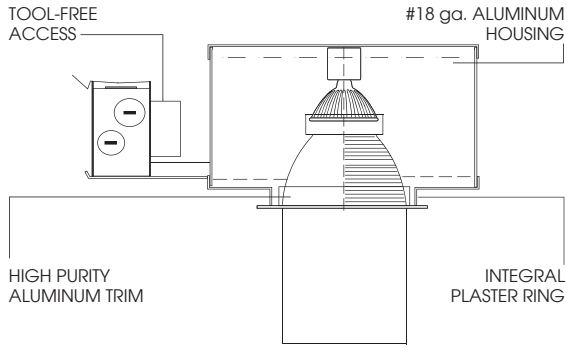
EXAMPLE: SGDG4XE1/AR4250GWFGCY3

Dimensions shown are nominal. Spectrum Lighting is continually improving products and reserves the right to make changes that will not alter performance or appearance with or without written notice.



PROJECT:	TYPE:
CAT. NO.:	





A	B	C	D	E	F
4.6	0.6	3.5	8.0	13.0	8.0
117.5 mm	15.8 mm	88.9 mm	203.2 mm	330.2 mm	203.2 mm

# 3.5" DECORATIVE TRIM MR16 LAMP DOWNLIGHT

65 WATT MAX INCANDESCENT



## SGD4IN TRIM OPTIONS:



**FRG-Standard**  
**FRGTP-Tamper Proof**

- \*SS-Brushed Stainless Steel Ring
- \*WR-Gloss White Ring
- \*CR-Chrome Ring
- \*BR-Brass Ring



**1FGR-Frosted Glass Ring/Tier**  
**1CGR-Clear Glass Ring/Tier**

"Soda Lime" Glass Standard



**1TMR-Small Polished Metal Ring/Tier**

- \*BA-Brushed Aluminum
- \*PA-Polished Aluminum
- \*PB-Polished Brass
- \*WR-Gloss White



**1CFGT-Center Frosted Tier**  
**1CGT-Clear Tier**  
**1OFGT-Outside Frosted (Inside Clear)**

"Soda Lime" Glass Standard



**CE1-Cluster Crystal Grouping**



**FGCY3-Slim Frosted 3" Cylinder**

Dimensions shown are nominal. Spectrum Lighting is continually improving products and reserves the right to make changes that will not alter performance or appearance with or without written notice.



PROJECT:

TYPE:

CAT. NO.:

