



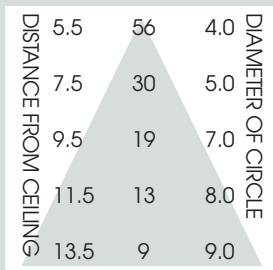
4" MINI ROUND DOWNLIGHT SERENE CEILING MR16 LAMP 65 WATT MAX

DG4X
SPECTRUM
GOLD SERIES™

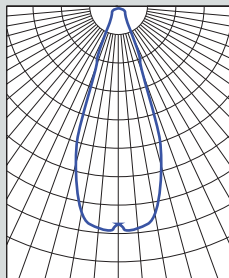
FEATURES & SPECIFICATIONS:

- Series features a deep trim for good cutoff, with a variety of lens /accessory options.
- The mini round trim blends seamlessly with ceiling plane.
- Trim rotates 360° for easy alignment, and locks to 40°.
- Intended for Non-IC new construction. For IC applications, refer to page 1-400.
- Frame constructed of 20 ga. aluminum.
- Supplied with 27" long, heavy ga. galvanized steel bar hangers.
- Electronic transformer is standard.
- UL Listed for Damp Locations.
- For options detail, see page numbers listed below.

Max Ceiling Thickness: 1.5 (38.1 mm)
Ceiling Cutout: 4.25 ϕ (107.9 mm ϕ)
Fixture Weight: 4.0 lbs

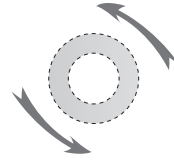


CONE OF LIGHT

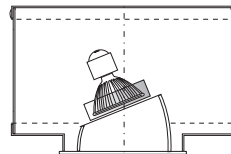
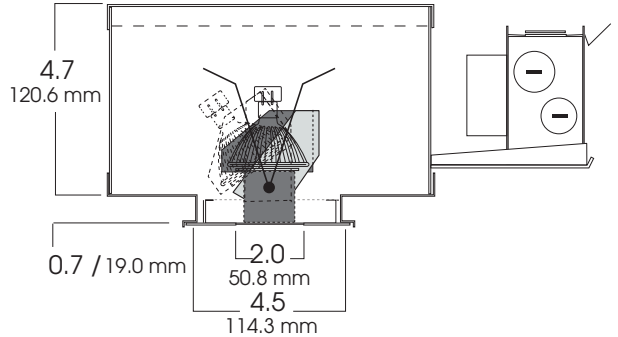


DG4X37w - Efficiency: 80.0%
Spacing: 0.66

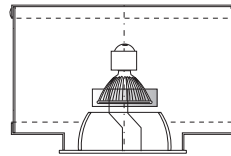
TRIM ROTATION AFTER INSTALLATION



CROSS-SECTION



LENSED MINI ROUND
WALL WASH
AR3200SALW



LENSED MINI ROUND
WET LOCATION
AR3200SAWL
AR3200NAWL

AR3200SAPH
AR3200NAPH



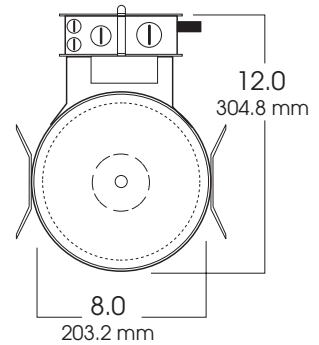
2.0 ϕ

AR3200SASL



1.1 x 2.1

TOP VIEW



SERIES	TRANSFORMER	OPTIONS	TRIM / FINISH	LENS OPTIONS	FIXTURE LAMPING				
SGDG4X- Standard non-PZ Fitting	E1 -Electronic, 120v	BH6 -Expandable Bar Hangers, 6" - 12"	AR3200-SAPH -Pinhole, 2.0"	GL -Clear Glass lens (standard)	<table border="1"> <thead> <tr> <th>LAMP</th> <th>MAX. WATTAGE</th> </tr> </thead> <tbody> <tr> <td>MR-16</td> <td>65w</td> </tr> </tbody> </table>	LAMP	MAX. WATTAGE	MR-16	65w
	LAMP	MAX. WATTAGE							
MR-16	65w								
E2 -Electronic, 277v	BH12 -Expandable Bar Hangers, 12" - 24"	SASL -Slot Aperture	SASL -Slot Aperture	GS -Gasket					
MGN-1 -Magnetic Transformer 120v	CB24 -C-Channel bars 1-470	SAWL -Lensed Wall Wash	SAWL -Lensed Wall Wash	SO -Micro Prism Solite™ lens					
MGN-2 -Magnetic Transformer 277v	CCEA -Chicago Ceiling Plenum CCEA 1-480	NAPH -Fixed Lamp- Pinhole	NAPH -Fixed Lamp- Pinhole	PG -Prismatic (T73) lens (See Lens Options)					
	CR -Corrosion Resistant 1-460	NAWL -Fixed Lamp-Wet Location	NAWL -Fixed Lamp-Wet Location						
	FS -Fuse holder and fuse								
	IC -Insulation Contact 1-400								
	MWL(**) -Maximum Wattage dedicated transformer and label (20w, 37w, 50w)								
	PR -Plaster Ring 1-430								
	RM -Remodeler Housing 1-450								
	TBC -T-bar clips 1-475								
SGDG4X	E1	CB24	AR3200SAPH	GL					

* For available
Louvers and Lenses
see Page 1-410

*For Available Decorative
Architectural Trims,
see page 1-490

Dimensions shown are nominal. Spectrum Lighting is continually improving products and reserves the right to make changes that will not alter performance or appearance with or without written notice.



PROJECT:

TYPE:

CAT. NO.:



994 Jefferson Street, Fall River, MA 02721 508.678.2303 FAX 508.678.2260