



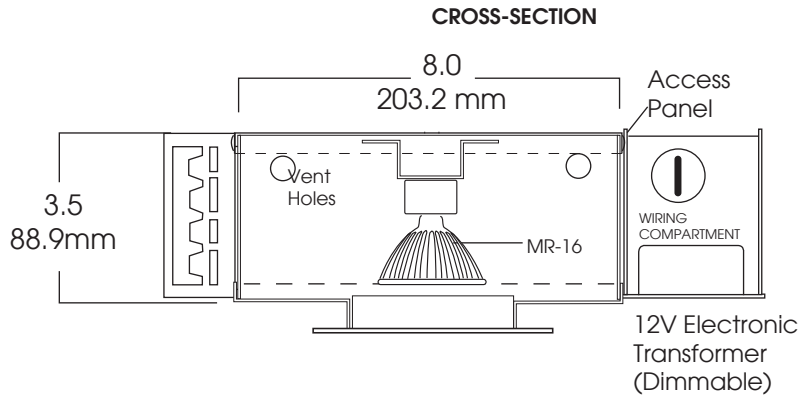
4" DOWNLIGHT SUPER SHALLOW 35 WATT MAX

DG4SH
SPECTRUM
GOLD SERIES™

FEATURES & SPECIFICATIONS:

- Series features a super shallow housing
- Intended for Non-IC new construction.
- Frame constructed of 20 ga. aluminum.
- Supplied with 27" long, heavy ga. galvanized steel bar hangers.
- Electronic transformer is standard.
- UL Listed for Damp Locations.

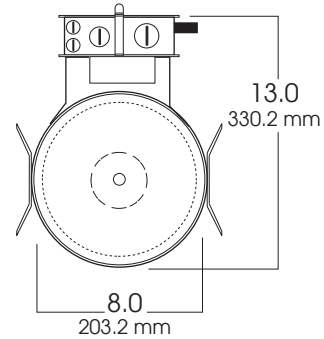
Max Ceiling Thickness: 1.5 (38.1 mm)
Ceiling Cutout: 4.6 Ø (116.8 mm Ø)
Fixture Weight: 4.0 lbs



PINHOLE TRIM



TOP VIEW



SERIES	TRANSFORMER	OPTIONS	TRIM / FINISH	FIXTURE LAMPING		
SGDG4SH Spectrum Gold 4" Vertical	E1 -Electronic, 120v E2 -Electronic, 277v	BH6 -Expandable Bar Hangers, 6" - 12" BH12 -Expandable Bar Hangers, 12" - 24" CB24 -C-Channel Bars CCEA -Chicago Ceiling Plenum CCEA CR -Corrosion Resistant FS -Fuse Holder and Fuse MWL(**) -Maximum Wattage Dedicated Transformer and Label (20w, 37w, 50w) TBC -T-bar Clips	AR4245PH -Pin Hole AR4510SA -Surface Adjustable AR4510PD -Pull Down	 AR4510 SA  AR4510 PD	LAMP	MAX. WATTAGE
	E1LED -LED Rated 20W Max Transformer	* For Available Louvers and Lenses Consult	Note: White Flange is Standard.		MR-16	35w

EXAMPLE: SGDG4SH E1BH12 AR4510PD

Dimensions shown are nominal. Spectrum Lighting is continually improving products and reserves the right to make changes that will not alter performance or appearance with or without written notice.



PROJECT:	TYPE:
CAT.	

