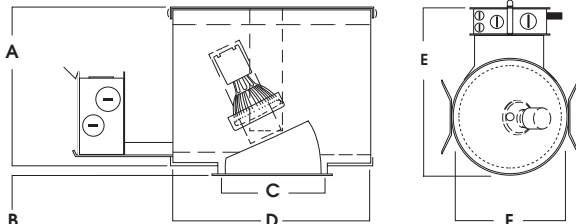
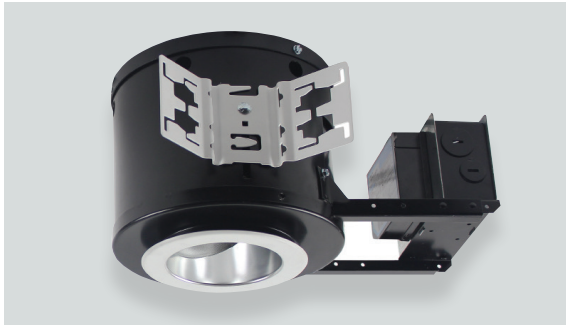
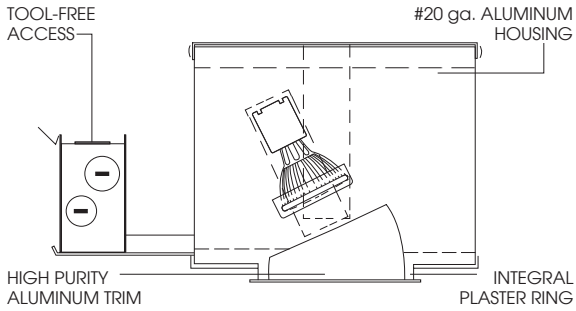




4" ADJUSTABLE ACCENT LIGHT

PAR20 SERIES / 50 WATT MAX INC



A	B	C	D	E	F
6.5 165.1 mm	0.6 15.8 mm	4.0 101.6 mm	8.0 203.2 mm	13.0 330.2 mm	8.0 203.2 mm

SGA4IN

APPLICATION

4" round PAR20 accent light for incandescent lamps.

FEATURES

Trim rotates/locks 360°, lamp tilts/locks 35°. Efficient trim design with a variety of lens options. Integral 5/8" (0.625) plaster ring. Maximum wattage label (MWL) for low wattage Incandescent or LED lamps. Multi-bar adjustable mounting brackets.

FINISH

Variety of powdercoat and anodized finishes available on trim. Eco Black (EB) finish available on frame/housing.

ELECTRONICS

120 Volt is standard. Use option T277 for 277V supply feed.

CONSTRUCTION

Frame constructed of 20 ga. aluminum. Trim spun from .063 high purity aluminum and finished to specification.

LABELS

UL/ETL Listed for Damp Locations. Wet location available. Manufactured and tested to UL 1598.

Max Ceiling Thickness:	1.5 (38.1 mm)
Ceiling Cutout:	4.6 Ø (116.8 mm Ø)
Fixture Weight:	4.7 lbs

PINHOLE TRIM



2.0 ø

SLOT TRIM



1.5 x 2.8

SERIES	OPTIONS	TRIM / FINISH	TRIM OPTIONS	FIXTURE LAMPING*				
SGA4IN- Spectrum Gold 4" Vertical Adjustable	BH27 -27" Bar Hangers (Supplied) CB24 -C-Channel Bars CCEA -Chicago Ceiling Plenum CR -Corrosion Resistant T277 -Step Down Transformer 277v to 120v FS -Fuse Holder and Fuse PR -Plaster Ring (Special Depth) MWL -Max Wattage Label (Specify Wattage) EB -Eco Black Housing Finish TBC -T-Bar Clips TR -Top Relamping Option	AR4500-SG -Semi-Diffuse Low-Iridescent (Standard) CL -Clear Bright Alzak GO -Gold Alzak HZ -Matte Low Iridescent PW -Pewter Alzak UM -Umber Alzak WE -Wheat Alzak BK -Black Finish WH -White Finish PF -Polished Flange	GL -Clear Glass Lens GS -Gasket SO -Micro Prism Solite™ Lens PG -Prismatic (T73) Lens PH¹ -Pin Hole Trim (Matte White Standard) SL² -Oval Slot (Matte White Standard) LN -See Recessed Fixtures/ Lens Options for Lens, Louver and Filter Accessories WL -Wet location	<table border="1"> <thead> <tr> <th>LAMP</th> <th>MAX. WATTAGE</th> </tr> </thead> <tbody> <tr> <td>PAR20</td> <td>50w</td> </tr> </tbody> </table> <p>*Medium Base</p>	LAMP	MAX. WATTAGE	PAR20	50w
LAMP	MAX. WATTAGE							
PAR20	50w							
	<p>*For Available Louvers and Lenses Consult Factory.</p>	<p>Note: White Flange is Standard.</p>	<p>¹ Specify PH/MB for Matte Black ² Specify SL/MB for Matte Black</p>					

EXAMPLE: SGA4INPAR30S/AR4500 SG GL



PROJECT: _____
 TYPE: _____



Dimensions and values shown are nominal. Spectrum Lighting continually works to improve products and reserves the right to make changes which may alter the performance or appearance of products.