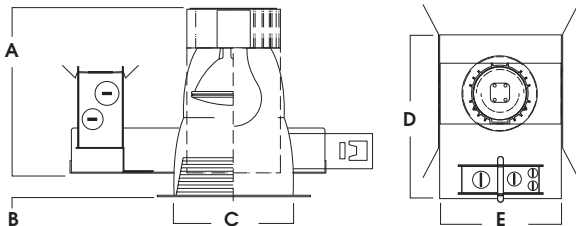
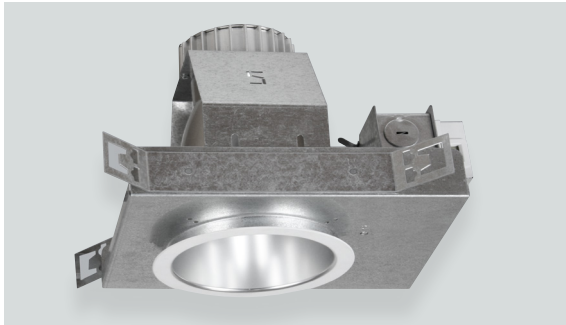
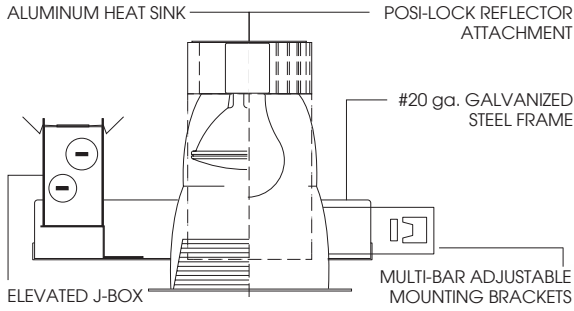




5" OPEN REFLECTOR/BAFFLE PAR SERIES / 100 WATT MAX INC



A	B	C	D	E
7.8 195.0 mm	0.625 15.8 mm	5.0 127.0 mm	10.8 273.0 mm	8.0 203.2 mm

SG5IN

APPLICATION

5" aperture open downlight series for Incandescent lamps.

FEATURES

Efficient reflector design accomodates A, PAR, and R lamps. Intended for Non-IC new construction. Posi-lock mechanical reflector attachment. Integral 5/8" (0.625) plaster ring. Maximum wattage label (**MWL**) for low wattage Incandescent or LED lamps. Multi-bar adjustable mounting brackets.

FINISH

Variety of powdercoat and anodized finishes available on reflector. Eco Black (**EB**) finish available on frame/ housing.

ELECTRONICS

120 Volt is standard. Use option **T277** for 277V supply feed.

CONSTRUCTION

Frame constructed of 20 ga. galvanized steel. Reflectors spun from .063 high purity aluminum and finished to specification.

LABELS

Manufactured and tested to UL Standard No. 1598.

SERIES	OPTIONS	TRIM / FINISH	TRIM OPTIONS	FIXTURE LAMPING*												
SG5IN- Spectrum Gold 5" Vertical Incandescent	BH27 -27" Bar Hangers (Supplied) CB24 -C-Channel Bars CCEA -Chicago Ceiling Plenum CR -Corrosion Resistant T277 -Step Down Transformer 277V to 120V FS -Fuse Holder and Fuse IC -Insulation Contact (See IC Options Pages for Dimensions) PR -Plaster Ring (Special Depth) TBC -T-bar Clips (Fit BH27) MWL -Max Wattage Label (Specify Wattage) EB -Eco Black Housing Finish SCA -Slope Ceiling Adaptor	AR5215-SG -Semi-Diffuse Low Iridescent (Standard) CL -Clear Bright Alzak GO -Gold Alzak HZ -Matte Low Iridescent PW -Pewter Alzak UM -Umber Alzak WE -Wheat Alzak BK -Black Finish WH -White Finish PF -Polished Flange CC -Custom Color	GS -Gasket BB -Black Micro Baffle WB -White Micro Baffle	<table border="1"> <thead> <tr> <th>LAMP</th> <th>MAX. WATTAGE</th> </tr> </thead> <tbody> <tr> <td>A19</td> <td>100w</td> </tr> <tr> <td>PAR20</td> <td>50w</td> </tr> <tr> <td>PAR30L</td> <td>75w</td> </tr> <tr> <td>R30</td> <td>100w</td> </tr> <tr> <td colspan="2">*Medium Base</td> </tr> </tbody> </table>	LAMP	MAX. WATTAGE	A19	100w	PAR20	50w	PAR30L	75w	R30	100w	*Medium Base	
LAMP	MAX. WATTAGE															
A19	100w															
PAR20	50w															
PAR30L	75w															
R30	100w															
*Medium Base																
	Refer to Architectural Downlight Options Pages for Specifications	* Check Dimensions of IC Box on Arch Orders.	Note: White Flange is Standard.	*For Available Decorative Architectural Trims. Consult Factory.												

EXAMPLE: SG5IN/ AR5215 SG WB



PROJECT: _____
TYPE: _____



Dimensions and values shown are nominal. Spectrum Lighting continually works to improve products and reserves the right to make changes which may alter the performance or appearance of products.