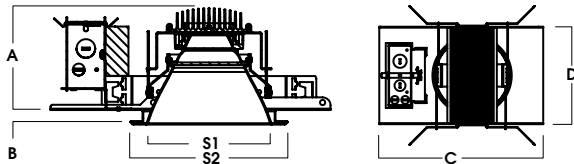
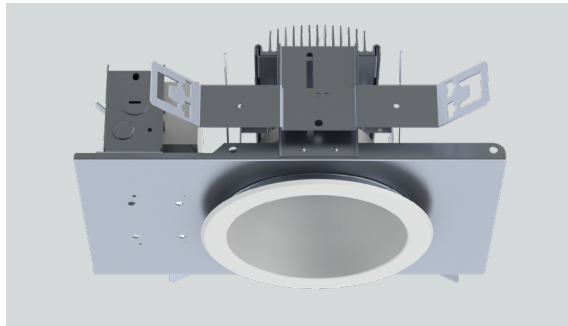
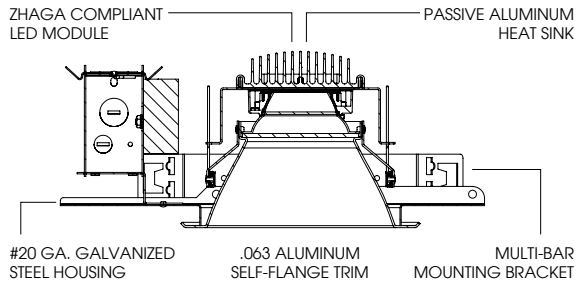


6" ROUND DOWNLIGHT FX SERIES / 4000 LUMENS MAX



A	B	C	D	S1	S2
4.8 121.9 mm	.625 15.9 mm	13.3 337.8 mm	7.9 200.7 mm	5.8 147.3 mm	7.5 190.5 mm

SGE6LEDFX - TRIM FLANGE / NON-IC RATED

APPLICATIONS

FX series 6" diameter downlights, designed for general downlighting with smooth light distribution.

FEATURES

Shallow plenum construction. Wide range of apertures. Companion retrofit and remodel fixtures available. Auto dim thermal protector for long term reliability. Zhaga international standard LED module for ease of maintenance and future replacement. Tool-less LED module, driver, and J-Box access. Multi-Bar mounting brackets, fit a variety of mounting bars. Posi-lock trim retention torsion springs. Integral 5/8" (.625) collar, works in ceiling up to 1" Deep. BH27 Standard mounting bars included. Intended for Non-IC new construction.

FINISH

Variety of powdercoat and anodized finishes available. Matte white flange is standard.

ELECTRONICS

LED system features high efficacy Philips LEDs. Standard CRI is >80. Drivers are overload and short circuit protected as well as thermally regulated. Sound rating A.

CONSTRUCTION

Housing/frame constructed of #20 ga. galvanized steel to resist corrosion. Self-flanged one piece trim spun from 0.063 3002 high purity aluminum and finished to specification. Passive machined aluminum heatsink.

CODE COMPLIANCE

ENERGY STAR® Certified when used with SG or MW trims only. BAA Compliant. Non-IC New Construction only. ETL certified to meet US and Canadian standards. Suitable for dry or damp locations. Optional Wet location listed trim. LM79/LM80 data available. Manufactured and tested to UL standards No. 1598/8750.

RATED LIFE

Rated for 60,000 Hours at 70% lumen maintenance. (L70)

LUMENS / WATTAGE DATA

PART NUMBER	SOURCE LUMENS ¹	DELIVERED LUMENS ²	SYSTEM WATTS	LPW
SGE6LEDFX10L	1000	731	9	79
SGE6LEDFX15L	1500	1118	13	85
SGE6LEDFX20L	2000	1490	17	88
SGE6LEDFX30L	3000	2191	25	88
SGE6LEDFX40L	4000	2959	35	86

SERIES	LUMENS ¹	CCT	DRIVER / VOLTAGE	OPTIONS	TRIM	FINISH	TRIM OPTIONS
SGE6LEDFX	10L	1000 Lm	DX 1%, 0-10V, 120V/277V	BH27³ 27" Solid Bars H12 12" - 24" Expandable Bars H06 6" - 12" Expandable Bars CB24 24" C-Channel Bars EM Integral Emergency Battery EMRM⁴ Remote Emergency Battery Pack FS Fusing CR Corrosion Resistant PR⁵ Deep Ceiling Extension	AR6223FX	MW Matte White MB Matte Black SG Semi-Diffuse PT Platinum Silver CC⁶ Custom Color	WF White Flange MF⁷ Matching Flange SO⁸ Micro Prism Solite™ Lens SOW Micro Prism Solite™ Lens Wet Location
	15L	1500 Lm					
	20L	2000 Lm					
	30L	3000 Lm					
	40L	4000 Lm					

EXAMPLE: SGE6LEDFX30L30KDX/BH27/AR6223FXMWMF50

NOTES:
 1 Nominal Source Lumens at 35K 2 Nominal Delivered Lumens at 35K with MW-SO Trim 3 Standard Bar Hangers 4 Installer Responsible for EM Access 5 Contact Factory 6 Contact Factory for Special Finishes
 7 Flange Same Color as Inside of Trim 8 Standard Lens



PROJECT: _____
 TYPE: _____



Dimensions and values shown are nominal. Spectrum Lighting continually works to improve products and reserves the right to make changes which may alter the performance or appearance of products.

6" ROUND DOWNLIGHT FX SERIES / PHOTOMETRIC DATA

recessed
fixtures



SGx6LEDFX-40L35KDX-AR6223FX-MW-SO

CANDLEPOWER CURVE	INTENSITY	ZONAL LUMENS	SINGLE UNIT: PERFORMANCE INITIAL FOOTCANDLES BASED ON IES BEAM ANGLE				MULTIPLE UNITS: PERFORMANCE 80/50/20% REFLECTANCES INITIAL FOOTCANDLES AND WATTS PER SQUARE FOOT									
			Mounting Height AFF	FC at Center on Floor	Beam Diameter	FC at Beam Edge	Ceiling Height	Fixture Spacing	RCR 2		RCR 4					
	0.00°		0° - 10°	241	8%	5.5'	83 fc	7.2'	41 fc	9'	6'	70	0.82	86	1.18	
	0.00°	2,515	0° - 20°	893	30%	6.5'	60 fc	8.5'	29 fc	12'	8'	47	0.55	40	0.55	
	5.00°	2,495	0° - 30°	1,754	59%	7.5'	45 fc	9.8'	22 fc	16'	12'	23	0.27	20	0.27	
	10.00°	2,432	0° - 40°	2,428	82%	8.5'	35 fc	11.1'	17 fc	Delivered Illuminance Rating: (DIR) 85 FC per W/Sq. Ft. 73 FC per W/Sq. Ft.						
	15.00°	2,308	0° - 60°	2,842	96%	10.0'	25 fc	13.1'	12 fc							
	20.00°	2,127	0° - 80°	2,951	100%	12.0'	17 fc	15.7'	9 fc	Recessed Mounting Square rooms used for multiple units: - RCR 2: Length & Width = Ceiling Ht. -2.5' x 5.00 - RCR 4: Length & Width = Ceiling Ht. -2.5' x 2.50 * Average Footcandles at 2.5' Above Floor						
	30.00°	1,536	0° - 90°	2,959	100%	14.0'	13 fc	18.3'	6 fc							
	40.00°	636	Total	2,959	100%	16.0'	10 fc	20.9'	5 fc							
	50.00°	213														
	60.00°	101														
	70.00°	53														
	80.00°	17														
	90.00°	1														

Delivered Lumens: 2,959
Luminaire Watts: 34.6
LER: 85.52

CP at 0deg (Nadir): 2,515
CRI: 80+

Beam Angle: 66.47
Spacing Ratio: 1.01

Lumen Multiplier: 10L x 0.33, 15L x 0.51, 20L x 0.68, 30L x 1.0, 40L x 1.35
CCT Multiplier: 27K x 0.95, 30K x 1.0, 40K x 1.08

SGx6LEDFX-40L35KDX-AR6223FX-SG-SO

CANDLEPOWER CURVE	INTENSITY	ZONAL LUMENS	SINGLE UNIT: PERFORMANCE INITIAL FOOTCANDLES BASED ON IES BEAM ANGLE				MULTIPLE UNITS: PERFORMANCE 80/50/20% REFLECTANCES INITIAL FOOTCANDLES AND WATTS PER SQUARE FOOT									
			Mounting Height AFF	FC at Center on Floor	Beam Diameter	FC at Beam Edge	Ceiling Height	Fixture Spacing	RCR 2		RCR 4					
	0.00°		0° - 10°	351	12%	5.5'	127 fc	5.3'	63 fc	9'	4'	183	2.10	160	2.10	
	0.00°	3,850	0° - 20°	1,176	40%	6.5'	91 fc	6.3'	45 fc	12'	6'	86	0.98	75	0.98	
	5.00°	3,759	0° - 30°	2,094	71%	7.5'	68 fc	7.2'	34 fc	16'	8'	43	0.49	37	0.49	
	10.00°	3,473	0° - 40°	2,724	92%	8.5'	53 fc	8.2'	27 fc	Delivered Illuminance Rating: (DIR) 87 FC per W/Sq. Ft. 76 FC per W/Sq. Ft.						
	15.00°	3,034	0° - 60°	2,944	100%	10.0'	39 fc	9.7'	19 fc							
	20.00°	2,547	0° - 80°	2,949	100%	12.0'	27 fc	11.6'	13 fc	Recessed Mounting Square rooms used for multiple units: - RCR 2: Length & Width = Ceiling Ht. -2.5' x 5.00 - RCR 4: Length & Width = Ceiling Ht. -2.5' x 2.50 * Average Footcandles at 2.5' Above Floor						
	30.00°	1,568	0° - 90°	2,950	100%	14.0'	20 fc	13.5'	10 fc							
	40.00°	514	Total	2,950	100%	16.0'	15 fc	15.5'	7 fc							
	50.00°	77														
	60.00°	5														
	70.00°	2														
	80.00°	2														
	90.00°	1														

Delivered Lumens: 2,950
Luminaire Watts: 34.6
LER: 85.26

CP at 0deg (Nadir): 3,850
CRI: 80+

Beam Angle: 52.32
Spacing Ratio: 0.79

Lumen Multiplier: 10L x 0.33, 15L x 0.51, 20L x 0.68, 30L x 1.0, 40L x 1.35
CCT Multiplier: 27K x 0.95, 30K x 1.0, 40K x 1.08