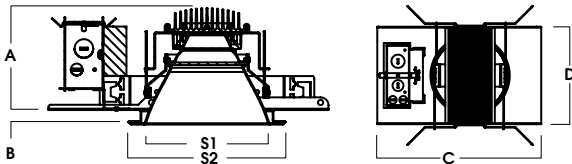
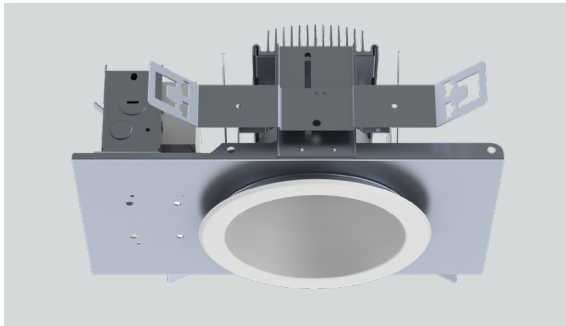
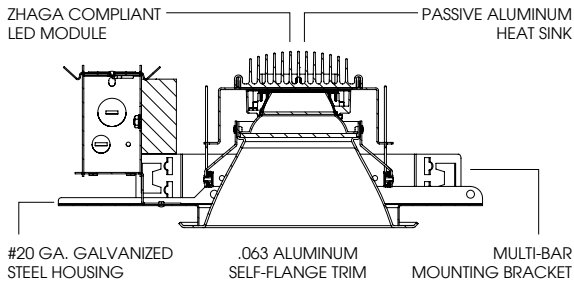


5" ROUND DOWNLIGHT FX SERIES / 4000 LUMENS MAX



A	B	C	D	S1	S2
4.4 111.8 mm	.625 15.9 mm	13.3 337.8 mm	7.9 200.7 mm	5.0 127.0 mm	6.3 160.0 mm

SGE5LEDFX - TRIM FLANGE / NON-IC RATED

APPLICATIONS

FX series 5" diameter downlights, designed for general downlighting with smooth light distribution.

FEATURES

Shallow plenum construction. Wide range of apertures. Companion retrofit and remodel fixtures available. Auto dim thermal protector for long term reliability. Zhaga international standard LED module for ease of maintenance and future replacement. Tool-less LED module, driver, and J-Box access. Multi-Bar mounting brackets, fit a variety of mounting bars. Posi-lock trim retention torsion springs. Integral 5/8" (.625) collar, works in ceiling up to 1" Deep. BH27 Standard mounting bars included. Intended for Non-IC new construction.

FINISH

Variety of powdercoat and anodized finishes available. Matte white flange is standard.

ELECTRONICS

LED system features high efficacy Philips LEDs. Standard CRI is >80. Drivers are overload and short circuit protected as well as thermally regulated. Sound rating A.

CONSTRUCTION

Housing/frame constructed of #20 ga. galvanized steel to resist corrosion. Self-flanged one piece trim spun from 0.063 3002 high purity aluminum and finished to specification. Passive machined aluminum heatsink.

CODE COMPLIANCE

ENERGY STAR® Certified when used with SG or MW trims only. BAA Compliant. Non-IC New Construction only. ETL certified to meet US and Canadian standards. Suitable for dry or damp locations. Optional Wet location listed trim. LM79/LM80 data available. Manufactured and tested to UL standards No. 1598/8750.

RATED LIFE

Rated for 60,000 Hours at 70% lumen maintenance. (L70)

LUMENS / WATTAGE DATA

PART NUMBER	SOURCE LUMENS ¹	DELIVERED LUMENS ²	SYSTEM WATTS	LPW
SGE5LEDFX10L	1000	788	9	86
SGE5LEDFX15L	1500	1218	13	93
SGE5LEDFX20L	2000	1624	17	96
SGE5LEDFX30L	3000	2389	25	96
SGE5LEDFX40L	4000	3224	35	93

SERIES	LUMENS ¹	CCT	DRIVER / VOLTAGE	OPTIONS	TRIM	FINISH	TRIM OPTIONS
SGE5LEDFX	10L 1000 Lm	27K 2700K	DX 1%, 0-10V, 120V/277V	BH27³ 27" Solid Bars H12 12" - 24" Expandable Bars H06 6" - 12" Expandable Bars CB24 24" C-Channel Bars EM Integral Emergency Battery EMRM⁴ Remote Emergency Battery Pack FS Fusing CR Corrosion Resistant PR⁵ Deep Ceiling Extension	AR5223FX	MW Matte White MB Matte Black SG Semi-Diffuse PT Platinum Silver CC⁶ Custom Color	WF White Flange MF⁷ Matching Flange SO⁸ Micro Prism Solite™ Lens SOW Micro Prism Solite™ Lens Wet Location
	15L 1500 Lm	30K 3000K					
	20L 2000 Lm	35K 3500K					
	30L 3000 Lm	40K 4000K					
	40L 4000 Lm						

EXAMPLE: SGE5LEDFX30L30KDX/BH27/AR5223FXMWMF50

NOTES:
 1 Nominal Source Lumens at 35K 2 Nominal Delivered Lumens at 35K with MW SO 3 Standard Bar Hangers 4 Installer Responsible for EM Access 5 Contact Factory 6 Contact Factory for Special Finishes
 7 Flange Same Color as Inside of Trim 8 Standard Lens



PROJECT: _____
 TYPE: _____



Dimensions and values shown are nominal. Spectrum Lighting continually works to improve products and reserves the right to make changes which may alter the performance or appearance of products.

5" ROUND DOWNLIGHT FX SERIES / PHOTOMETRIC DATA

recessed
fixtures



SGx5LEDFX-40L35KDX-AR5223FX-MW-SO

CANDLEPOWER CURVE	INTENSITY	ZONAL LUMENS	SINGLE UNIT: PERFORMANCE INITIAL FOOTCANDLES BASED ON IES BEAM ANGLE				MULTIPLE UNITS: PERFORMANCE 80/50/20% REFLECTANCES INITIAL FOOTCANDLES AND WATTS PER SQUARE FOOT									
			Mounting Height AFF	FC at Center on Floor	Beam Diameter	FC at Beam Edge	Ceiling Height	Fixture Spacing	RCR 2		RCR 4					
	0.00°		0° - 10°	244	8%	5.5'	84 fc	7.3'	41 fc	9'	6'	75	0.82	91	1.18	
	0.00°	2,556	0° - 20°	894	28%	6.5'	60 fc	8.7'	30 fc	12'	8'	51	0.55	43	0.55	
	5.00°	2,538	0° - 30°	1,744	54%	7.5'	45 fc	10.0'	22 fc	16'	12'	25	0.27	21	0.27	
	10.00°	2,469	0° - 40°	2,468	77%	8.5'	35 fc	11.4'	17 fc	Delivered Illuminance Rating: (DIR)		92 FC per W/Sq. Ft.		77 FC per W/Sq. Ft.		
	15.00°	2,325	0° - 60°	3,039	94%	10.0'	26 fc	13.4'	13 fc	Recessed Mounting Square rooms used for multiple units: - RCR 2: Length & Width = Ceiling Ht. -2.5' x 5.00 - RCR 4: Length & Width = Ceiling Ht. -2.5' x 2.50 * Average Footcandles at 2.5' Above Floor						
	20.00°	2,111	0° - 80°	3,211	100%	12.0'	18 fc	16.0'	9 fc							
	30.00°	1,561	0° - 90°	3,224	100%	14.0'	13 fc	18.7'	6 fc							
	40.00°	770	Total	3,224	100%	16.0'	10 fc	21.4'	5 fc							
	50.00°	303														
	60.00°	160														
	70.00°	80														
	80.00°	28														
	90.00°	3														

Delivered Lumens: **3,224**
Luminaire Watts: **34.6**
LER: **93.18**

CP at 0deg (Nadir): **2,556**
CRI: **80+**

Beam Angle: **67.49**
Spacing Ratio: **1**

Lumen Multiplier: 10L x 0.33, 15L x 0.51, 20L x 0.68, 30L x 1.0, 40L x 1.35
CCT Multiplier: 27K x 0.95, 30K x 1.0, 40K x 1.08

SGx5LEDFX-40L35KDX-AR5223FX-SG-SO

CANDLEPOWER CURVE	INTENSITY	ZONAL LUMENS	SINGLE UNIT: PERFORMANCE INITIAL FOOTCANDLES BASED ON IES BEAM ANGLE				MULTIPLE UNITS: PERFORMANCE 80/50/20% REFLECTANCES INITIAL FOOTCANDLES AND WATTS PER SQUARE FOOT									
			Mounting Height AFF	FC at Center on Floor	Beam Diameter	FC at Beam Edge	Ceiling Height	Fixture Spacing	RCR 2		RCR 4					
	0.00°		0° - 10°	295	10%	5.5'	104 fc	6.3'	52 fc	9'	4'	184	2.10	159	2.10	
	0.00°	3,157	0° - 20°	1,038	35%	6.5'	75 fc	7.5'	37 fc	12'	6'	86	0.98	74	0.98	
	5.00°	3,117	0° - 30°	1,937	65%	7.5'	56 fc	8.6'	28 fc	16'	10'	33	0.37	21	0.27	
	10.00°	2,958	0° - 40°	2,616	88%	8.5'	44 fc	9.8'	22 fc	Delivered Illuminance Rating: (DIR)		88 FC per W/Sq. Ft.		76 FC per W/Sq. Ft.		
	15.00°	2,694	0° - 60°	2,968	100%	10.0'	32 fc	11.5'	16 fc	Recessed Mounting Square rooms used for multiple units: - RCR 2: Length & Width = Ceiling Ht. -2.5' x 5.00 - RCR 4: Length & Width = Ceiling Ht. -2.5' x 2.50 * Average Footcandles at 2.5' Above Floor						
	20.00°	2,371	0° - 80°	2,980	100%	12.0'	22 fc	13.8'	11 fc							
	30.00°	1,571	0° - 90°	2,981	100%	14.0'	16 fc	16.1'	8 fc							
	40.00°	641	Total	2,981	100%	16.0'	12 fc	18.4'	6 fc							
	50.00°	158														
	60.00°	33														
	70.00°	2														
	80.00°	1														
	90.00°	1														

Delivered Lumens: **2,981**
Luminaire Watts: **34.6**
LER: **86.16**

CP at 0deg (Nadir): **3,157**
CRI: **80+**

Beam Angle: **59.82**
Spacing Ratio: **0.88**

Lumen Multiplier: 10L x 0.33, 15L x 0.51, 20L x 0.68, 30L x 1.0, 40L x 1.35
CCT Multiplier: 27K x 0.95, 30K x 1.0, 40K x 1.08