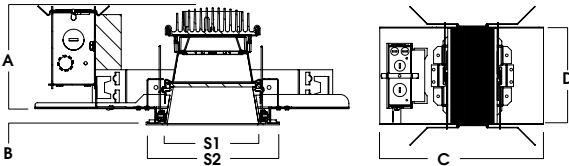
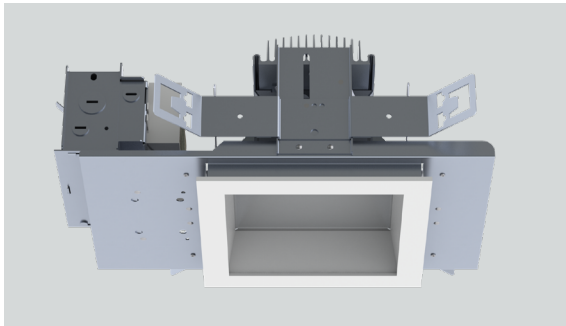
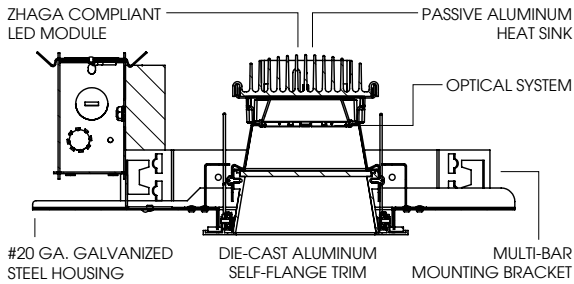


4" SQUARE DOWNLIGHT FX SERIES / 4000 LUMENS MAX

recessed
fixtures



A	B	C	D	S1	S2
4.9 124.5 mm	.625 15.9 mm	13.3 337.8 mm	7.9 200.7 mm	3.8 96.5 mm	5.4 137.2 mm

SGE4SQLEDFX - TRIM FLANGE / NON-IC RATED

APPLICATIONS

FX series 4" square downlights designed for general downlighting with smooth light distribution.

FEATURES

Shallow plenum construction. Auto dim thermal protector for long term reliability. Zhaga international standard LED module for ease of maintenance and future replacement. Tool-less LED module, driver, and J-Box access. Multi-Bar mounting brackets, fit a variety of mounting bars. Posi-lock trim retention torsion springs. Integral 5/8" (.625) collar, works in ceiling up to 1" Deep. BH27 Standard mounting bars included. Intended for Non-IC new construction.

FINISH

Variety of powdercoat finishes available.
Matte white flange is standard.

ELECTRONICS

LED system features high efficacy Philips LEDs. Standard CRI is >80. Drivers are overload and short circuit protected as well as thermally regulated. Sound rating A. L70 at >60,000 hours.

CONSTRUCTION

Housing/frame constructed of #20 ga. galvanized steel to resist corrosion. Self-Flanged one piece trim die-cast high purity aluminum and finished to specification. Passive machined aluminum heatsink.

CODE COMPLIANCE

Energy Star pending and BAA Compliant. Non-IC New Construction only. ETL certified to meet US and Canadian standards. Suitable for dry or damp locations. Optional Wet location listed trim. LM79/LM80 data available. Manufactured and tested to UL standards No. 1598/8750.

LUMENS / WATTAGE DATA

PART NUMBER	SOURCE LUMENS ¹	DELIVERED LUMENS ²	SYSTEM WATTS	LPW
SGE4SQLEDFX10L	1000	797	9	87
SGE4SQLEDFX15L	1500	1232	13	94
SGE4SQLEDFX20L	2000	1643	17	97
SGE4SQLEDFX30L	3000	2416	25	97
SGE4SQLEDFX40L	4000	3261	35	94

SERIES	LUMENS ¹	CCT	DRIVER / VOLTAGE	OPTIONS	TRIM	FINISH	TRIM OPTIONS
SGE4SQLEDFX	10L 1000 Lm	27K 2700K	DX 1%, 0-10V, 120V/277V	BH27² 27" Solid Bars H12 12" - 24" Expandable Bars H06 6" - 12" Expandable Bars CB24 24" C-Channel Bars EM Integral Emergency Battery EMRM³ Remote Emergency Battery Pack FS Fusing CR Corrosion Resistant PR⁴ Deep Ceiling Extension	CA0244FX	MW Matte White MB Matte Black PT Platinum Silver CC⁵ Custom Color	WF White Flange MF⁶ Matching Flange SO⁷ Micro Prism Solite™ Lens SOW Micro Prism Solite™ Lens Wet Location
	15L 1500 Lm	30K 3000K					
	20L 2000 Lm	35K 3500K					
	30L 3000 Lm	40K 4000K					
	40L 4000 Lm						

EXAMPLE: SGE4SQLEDFX30L30KDX/BH27/CA0244FXMWMF5O

NOTES:
 1 Nominal Source Lumens at 35K 2 Nominal Delivered Lumens at 35K with MW SO 3 Standard Bar Hangers 4 Contact Factory 5 Contact Factory for Special Finishes
 6 Flange Same Color as Inside of Trim 7 Standard Lens



PROJECT: _____
 TYPE: _____



Dimensions and values shown are nominal. Spectrum Lighting continually works to improve products and reserves the right to make changes which may alter the performance or appearance of products.

4" SQUARE DOWNLIGHT FX SERIES / PHOTOMETRIC DATA

recessed
fixtures



SGx4SQLEDFX-40L35KDX-CA0244FX-MW-SO

CANDLEPOWER CURVE	INTENSITY	ZONAL LUMENS	SINGLE UNIT: PERFORMANCE INITIAL FOOTCANDLES BASED ON IES BEAM ANGLE				MULTIPLE UNITS: PERFORMANCE 80/50/20% REFLECTANCES INITIAL FOOTCANDLES AND WATTS PER SQUARE FOOT									
			Mounting Height AFF	FC at Center on Floor	Beam Diameter	FC at Beam Edge	Ceiling Height	Fixture Spacing	RCR 2		RCR 4					
	0.00°															
	0.00°	2,427	0° - 10°	234	7%	5.5'	80 fc	6.4'	40 fc	9'	4'	191	2.10	159	2.10	
	5.00°	2,414	0° - 20°	883	27%	6.5'	57 fc	7.6'	28 fc	12'	6'	90	0.98	75	0.98	
	10.00°	2,380	0° - 30°	1,696	52%	7.5'	43 fc	8.8'	21 fc	16'	10'	34	0.37	21	0.27	
	15.00°	2,313	0° - 40°	2,301	71%	8.5'	34 fc	9.9'	17 fc	Delivered Illuminance Rating: (DIR) 91 FC per W/Sq. Ft. 76 FC per W/Sq. Ft.						
	20.00°	2,061	0° - 60°	2,951	90%	10.0'	24 fc	11.7'	12 fc							
	30.00°	1,237	0° - 80°	3,238	99%	12.0'	17 fc	14.0'	8 fc	Recessed Mounting Square rooms used for multiple units: - RCR 2: Length & Width = Ceiling Ht. -2.5' x 5.00 - RCR 4: Length & Width = Ceiling Ht. -2.5' x 2.50 * Average Footcandles at 2.5' Above Floor						
	40.00°	563	0° - 90°	3,261	100%	14.0'	12 fc	16.4'	6 fc							
	50.00°	376	Total	3,261	100%	16.0'	9 fc	18.7'	5 fc							
	60.00°	258														
	70.00°	144														
	80.00°	53														
	90.00°	2														

Delivered Lumens: **3,261**
Luminaire Watts: **34.6**
LER: **94.25**

CP at 0deg (Nadir): **2,427**
CRI: **80+**

Beam Angle: **60.52**
Spacing Ratio: **0.94**

Lumen Multiplier: 10L x 0.33, 15L x 0.51, 20L x 0.68, 30L x 1.0, 40L x 1.35
CCT Multiplier: 27K x 0.95, 30K x 1.0, 40K x 1.08

SGx4SQLEDFX-40L35KDX-CA0244FX-PT-SO

CANDLEPOWER CURVE	INTENSITY	ZONAL LUMENS	SINGLE UNIT: PERFORMANCE INITIAL FOOTCANDLES BASED ON IES BEAM ANGLE				MULTIPLE UNITS: PERFORMANCE 80/50/20% REFLECTANCES INITIAL FOOTCANDLES AND WATTS PER SQUARE FOOT									
			Mounting Height AFF	FC at Center on Floor	Beam Diameter	FC at Beam Edge	Ceiling Height	Fixture Spacing	RCR 2		RCR 4					
	0.00°															
	0.00°	2,329	0° - 10°	225	9%	5.5'	77 fc	6.8'	38 fc	9'	4'	161	2.10	138	2.10	
	5.00°	2,323	0° - 20°	853	32%	6.5'	55 fc	8.0'	27 fc	12'	6'	75	0.98	64	0.98	
	10.00°	2,312	0° - 30°	1,639	62%	7.5'	41 fc	9.3'	20 fc	16'	10'	29	0.37	18	0.27	
	15.00°	2,257	0° - 40°	2,192	83%	8.5'	32 fc	10.5'	16 fc	Delivered Illuminance Rating: (DIR) 77 FC per W/Sq. Ft. 66 FC per W/Sq. Ft.						
	20.00°	2,089	0° - 60°	2,583	98%	10.0'	23 fc	12.4'	11 fc							
	30.00°	1,315	0° - 80°	2,638	100%	12.0'	16 fc	14.8'	8 fc	Recessed Mounting Square rooms used for multiple units: - RCR 2: Length & Width = Ceiling Ht. -2.5' x 5.00 - RCR 4: Length & Width = Ceiling Ht. -2.5' x 2.50 * Average Footcandles at 2.5' Above Floor						
	40.00°	527	0° - 90°	2,641	100%	14.0'	12 fc	17.3'	6 fc							
	50.00°	212	Total	2,641	100%	16.0'	9 fc	19.8'	4 fc							
	60.00°	85														
	70.00°	18														
	80.00°	5														
	90.00°	1														

Delivered Lumens: **2,641**
Luminaire Watts: **34.6**
LER: **76.33**

CP at 0deg (Nadir): **2,329**
CRI: **80+**

Beam Angle: **63.42**
Spacing Ratio: **0.99**

Lumen Multiplier: 10L x 0.33, 15L x 0.51, 20L x 0.68, 30L x 1.0, 40L x 1.35
CCT Multiplier: 27K x 0.95, 30K x 1.0, 40K x 1.08