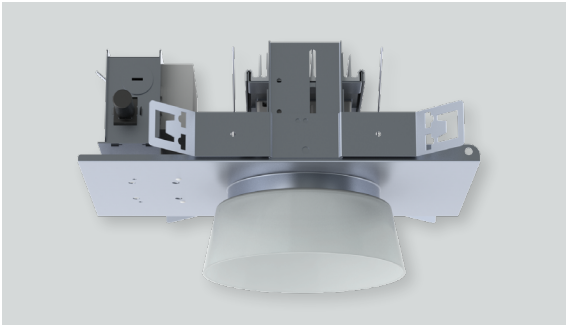




# ILLUMITECH DECORATIVE ACCENT OS SERIES / 4500 LUMENS MAX



## SGE5LEDOS - DECORATIVE TRIM / NON-IC RATED

### APPLICATION

Illumitech decorative accent LED series creates ceiling brightness and visual interest while delivering performance illumination.

### FEATURES

Decorative accent elements mechanically attach to reflector trim. Two-stage optical system for smooth light distribution. Zhaga International Standard LED module for ease of maintenance and replacement. Shallow plenum design. Tool-less LED module, driver and J-Box access. Multi-Bar mounting brackets. BH27 Standard mounting bars included. Posi-lock trim retention torsion springs. Integral 0.625" collar.

### TRIM FINISH

A variety of architectural powdercoat and anodized finishes are available. Matte white flange is standard.

### ELECTRONICS

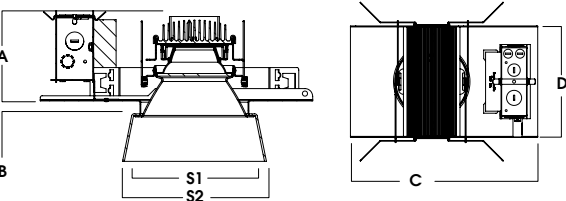
LED module features high brightness white Osram LEDs. 3-step MacAdam Ellipse binning and CRI 84 minimum. Full range of electronic 120V/277V and dimming drivers.

### CONSTRUCTION

Housing/frame constructed of #20 ga. galvanized steel to resist corrosion. Self-flanged one piece trim spun from 0.063" thick high purity aluminum and finished to specification. Deco-Trim accent is available in molded opal glass or frosted acrylic. Passive machined aluminum heatsink.

### CODE COMPLIANCE

BAA Compliant. Non-IC rated. ETL certified to meet US and Canadian standards. Suitable for dry or damp locations. Optional Wet location. LM79/LM80/TM21 data available. Manufactured and tested to UL standards No. 1598/8750.



A	B	C	D	S1	S2
4.38 111.3 mm	0.625 15.9 mm	13.3 337.8 mm	7.9 201.2 mm	5.8 147.3 mm	7.0 177.8 mm

WATTAGE TO LUMENS UPDATE					
CURRENT PART NUMBER EXAMPLE	PREVIOUS PART NUMBER EXAMPLE	SOURCE LUMENS <sup>1</sup>	DELIVERED LUMENS <sup>2</sup>	SYSTEM WATTS	LPW
SGE5LEDOS10L	SGE5LEDOS14W	1100	448	13	36
SGE5LEDOS20L	SGE5LEDOS25W	2000	568	15	37
SGE5LEDOS30L	SGE5LEDOS35W	3000	732	22	33
SGE5LEDOS45L	N/A	4500	1093	30	37

SERIES	LUMENS <sup>1</sup>	CCT	DRIVER / VOLTAGE <sup>3</sup>	OPTIONS <sup>5</sup>	TRIM	FINISH	TRIM OPTIONS		
SGE5LEDOS	10L	1100 Lm	27K 2700K	<b>E</b> Electronic Driver <b>DS10</b> 10%, 0-10V <b>DO10</b> 1%, 0-10V <b>DS2W1</b> 1%, ELV/MLV, 120V <b>DLTE1</b> 1% Lutron® 2-Wire Forward Phase, 120V <b>DL3E</b> 1% Lutron® EcoSystem®, Fade <b>EL10</b> 1%, eldoLED <b>ED01</b> 0.1%, eldoLED <b>DALI</b> DALI Control <b>DMXS<sup>4</sup></b> DMX Standard Configuration <b>DMXC<sup>4</sup></b> DMX Non-Standard Custom	<b>1</b> 120V <b>2</b> 277V	<b>BH27<sup>6</sup></b> 27" Solid Bars <b>H12</b> 12" - 24" Expandable Bars <b>H06</b> 6" - 12" Expandable Bars <b>CB24</b> 24" C-Channel Bars <b>FS</b> Fusing <b>EB</b> Fixture Painted Black <b>CR</b> Corrosion Resistant <b>PR<sup>7</sup></b> Deep Ceiling Extension <b>GR</b> Goof Ring <b>ZIG<sup>8</sup></b> ZigBee Module <b>BLU<sup>8</sup></b> Bluetooth LE <b>EM<sup>9</sup></b> 7W Emergency Battery Test Switch Remote <b>AMB</b> Anti-Microbial Finish	<b>AR5223OS</b>	<b>MW<sup>10</sup></b> Matte White <b>SG</b> Semi-Diffuse <b>HZ</b> Haze Full Diffuse <b>PT</b> Platinum Silver <b>CC<sup>11</sup></b> Custom Color	<b>SO<sup>12</sup></b> Micro Prism Solite™ Lens <b>WL</b> Wet Location <b>PF<sup>13</sup></b> Polished Flange <b>AMB</b> Anti-Microbial Finish
	20L	2000 Lm	30K 3000K						
	30L	3000 Lm	35K 3500K						
	45L	4500 Lm	40K 4000K						
							DECORATIVE TRIM <b>FAPY</b> Frosted Acrylic Flared Cone <b>FGPY</b> Frosted Glass Flared Cone <b>OGPY</b> Opal Glass Flared Cone <b>OAPY</b> Opal Acrylic Flared Cone		

EXAMPLE: SGE5LEDOS20L35KE1/AR5223OSSOFAPY

NOTES:  
 1 Nominal Source Lumens at 35K 2 Nominal Delivered Lumens 84 CRI at 35K with PT SO OGPY 3 Contact Factory for Additional Options 4 Contact Factory 5 See Product Options Page for Details 6 Standard Bar Hangers  
 7 Contact Factory 8 Order DS101/2 When Specifying ZIG or BLU 9 Standard EM 10 Standard Finish 11 Contact Factory for Special Finishes 12 Required 13 Flange and Reflector Same Finish



PROJECT: \_\_\_\_\_  
 TYPE: \_\_\_\_\_



Dimensions and values shown are nominal. Spectrum Lighting continually works to improve products and reserves the right to make changes which may alter the performance or appearance of products.

# ILLUMITECH DECORATIVE ACCENT

## OS SERIES / PHOTOMETRIC DATA

recessed fixtures



SGE5LEDOS 30L 35K DS101 AR5223OS PT SO FGPy

CANDLEPOWER CURVE TEST SP-00914	INTENSITY CANDELA 0° AZIMUTH	ZONAL LUMENS	SINGLE UNIT: PERFORMANCE INITIAL FOOTCANDLES BASED ON IES BEAM ANGLE	MULTIPLE UNITS: PERFORMANCE 80/50/20% REFLECTANCES INITIAL FOOTCANDLES AND WATTS PER SQUARE FOOT																																																																																															
	0.00°	0° - 10°	230	11%	<table border="1"> <thead> <tr> <th rowspan="2">Mounting Height AFF</th> <th rowspan="2">FC at Center on Floor</th> <th rowspan="2">Beam Diameter</th> <th rowspan="2">FC at Beam Edge</th> <th rowspan="2">Ceiling Height</th> <th rowspan="2">Fixture Spacing</th> <th colspan="2">RCR 2</th> <th colspan="2">RCR 4</th> </tr> <tr> <th>FC +</th> <th>W/Sq. Ft.</th> <th>FC +</th> <th>W/Sq. Ft.</th> </tr> </thead> <tbody> <tr> <td>5.5'</td> <td>81 fc</td> <td>6.0'</td> <td>27 fc</td> <td>9'</td> <td>4'</td> <td>128</td> <td>1.79</td> <td>112</td> <td>1.79</td> </tr> <tr> <td>6.5'</td> <td>58 fc</td> <td>7.1'</td> <td>20 fc</td> <td>12'</td> <td>6'</td> <td>60</td> <td>0.84</td> <td>52</td> <td>0.84</td> </tr> <tr> <td>7.5'</td> <td>44 fc</td> <td>8.2'</td> <td>15 fc</td> <td>16'</td> <td>10'</td> <td>23</td> <td>0.32</td> <td>15</td> <td>0.23</td> </tr> <tr> <td>8.5'</td> <td>34 fc</td> <td>9.3'</td> <td>11 fc</td> <td colspan="2">Delivered Illuminance Rating: (DIR)</td> <td colspan="2">71 FC per W/Sq. Ft.</td> <td colspan="2">62 FC per W/Sq. Ft.</td> </tr> <tr> <td>10.0'</td> <td>25 fc</td> <td>11.0'</td> <td>8 fc</td> <td colspan="6">Recessed Mounting Square rooms used for multiple units: - RCR 2: Length &amp; Width = Ceiling Ht. -2.5' x 5.00 - RCR 4: Length &amp; Width = Ceiling Ht. -2.5' x 2.50 * Average Footcandles at 2.5' Above Floor</td> </tr> <tr> <td>12.0'</td> <td>17 fc</td> <td>13.2'</td> <td>6 fc</td> <td colspan="6"></td> </tr> <tr> <td>14.0'</td> <td>13 fc</td> <td>15.3'</td> <td>4 fc</td> <td colspan="6"></td> </tr> <tr> <td>16.0'</td> <td>10 fc</td> <td>17.5'</td> <td>3 fc</td> <td colspan="6"></td> </tr> </tbody> </table>	Mounting Height AFF	FC at Center on Floor	Beam Diameter	FC at Beam Edge	Ceiling Height	Fixture Spacing	RCR 2		RCR 4		FC +	W/Sq. Ft.	FC +	W/Sq. Ft.	5.5'	81 fc	6.0'	27 fc	9'	4'	128	1.79	112	1.79	6.5'	58 fc	7.1'	20 fc	12'	6'	60	0.84	52	0.84	7.5'	44 fc	8.2'	15 fc	16'	10'	23	0.32	15	0.23	8.5'	34 fc	9.3'	11 fc	Delivered Illuminance Rating: (DIR)		71 FC per W/Sq. Ft.		62 FC per W/Sq. Ft.		10.0'	25 fc	11.0'	8 fc	Recessed Mounting Square rooms used for multiple units: - RCR 2: Length & Width = Ceiling Ht. -2.5' x 5.00 - RCR 4: Length & Width = Ceiling Ht. -2.5' x 2.50 * Average Footcandles at 2.5' Above Floor						12.0'	17 fc	13.2'	6 fc							14.0'	13 fc	15.3'	4 fc							16.0'	10 fc	17.5'	3 fc						
	Mounting Height AFF	FC at Center on Floor	Beam Diameter	FC at Beam Edge								Ceiling Height	Fixture Spacing	RCR 2		RCR 4																																																																																			
						FC +	W/Sq. Ft.	FC +	W/Sq. Ft.																																																																																										
	5.5'	81 fc	6.0'	27 fc		9'	4'	128	1.79	112	1.79																																																																																								
	6.5'	58 fc	7.1'	20 fc		12'	6'	60	0.84	52	0.84																																																																																								
	7.5'	44 fc	8.2'	15 fc		16'	10'	23	0.32	15	0.23																																																																																								
	8.5'	34 fc	9.3'	11 fc		Delivered Illuminance Rating: (DIR)		71 FC per W/Sq. Ft.		62 FC per W/Sq. Ft.																																																																																									
	10.0'	25 fc	11.0'	8 fc		Recessed Mounting Square rooms used for multiple units: - RCR 2: Length & Width = Ceiling Ht. -2.5' x 5.00 - RCR 4: Length & Width = Ceiling Ht. -2.5' x 2.50 * Average Footcandles at 2.5' Above Floor																																																																																													
	12.0'	17 fc	13.2'	6 fc																																																																																															
	14.0'	13 fc	15.3'	4 fc																																																																																															
	16.0'	10 fc	17.5'	3 fc																																																																																															
	0.00°	0° - 10°	230	11%																																																																																															
0.00°	0° - 20°	807	39%																																																																																																
5.00°	0° - 30°	1,496	72%																																																																																																
10.00°	0° - 40°	1,868	89%																																																																																																
15.00°	0° - 60°	2,013	96%																																																																																																
20.00°	0° - 80°	2,061	99%																																																																																																
30.00°	0° - 90°	2,073	99%																																																																																																
40.00°	Total	2,089	100%																																																																																																
50.00°																																																																																																			
60.00°																																																																																																			
70.00°																																																																																																			
80.00°																																																																																																			
90.00°																																																																																																			

Delivered Lumens: **2,089**  
Luminaire Watts: **29.6**  
LER: **70.57**

CP at 0deg (Nadir): **2,457**  
CRI: **80+**

Beam Angle: **57.45**  
Spacing Ratio: **0.88**

Lumen Multiplier: **10L x 0.41, 15L x 0.52, 20L x 0.67**  
CCT Multiplier: **27K x 0.89, 30K x 0.95, 40K x 1.03**

SGE5LEDOS 30L 35K DS101 AR5223OS PT SO OGPY

CANDLEPOWER CURVE TEST SP-00915	INTENSITY CANDELA 0° AZIMUTH	ZONAL LUMENS	SINGLE UNIT: PERFORMANCE INITIAL FOOTCANDLES BASED ON IES BEAM ANGLE	MULTIPLE UNITS: PERFORMANCE 80/50/20% REFLECTANCES INITIAL FOOTCANDLES AND WATTS PER SQUARE FOOT																																																																																															
	0.00°	0° - 10°	136	12%	<table border="1"> <thead> <tr> <th rowspan="2">Mounting Height AFF</th> <th rowspan="2">FC at Center on Floor</th> <th rowspan="2">Beam Diameter</th> <th rowspan="2">FC at Beam Edge</th> <th rowspan="2">Ceiling Height</th> <th rowspan="2">Fixture Spacing</th> <th colspan="2">RCR 2</th> <th colspan="2">RCR 4</th> </tr> <tr> <th>FC +</th> <th>W/Sq. Ft.</th> <th>FC +</th> <th>W/Sq. Ft.</th> </tr> </thead> <tbody> <tr> <td>5.5'</td> <td>48 fc</td> <td>5.2'</td> <td>18 fc</td> <td>9'</td> <td>4'</td> <td>66</td> <td>1.79</td> <td>58</td> <td>1.79</td> </tr> <tr> <td>6.5'</td> <td>34 fc</td> <td>6.2'</td> <td>13 fc</td> <td>12'</td> <td>6'</td> <td>31</td> <td>0.84</td> <td>27</td> <td>0.84</td> </tr> <tr> <td>7.5'</td> <td>26 fc</td> <td>7.1'</td> <td>9 fc</td> <td>16'</td> <td>8'</td> <td>15</td> <td>0.42</td> <td>13</td> <td>0.42</td> </tr> <tr> <td>8.5'</td> <td>20 fc</td> <td>8.1'</td> <td>7 fc</td> <td colspan="2">Delivered Illuminance Rating: (DIR)</td> <td colspan="2">37 FC per W/Sq. Ft.</td> <td colspan="2">32 FC per W/Sq. Ft.</td> </tr> <tr> <td>10.0'</td> <td>14 fc</td> <td>9.5'</td> <td>5 fc</td> <td colspan="6">Recessed Mounting Square rooms used for multiple units: - RCR 2: Length &amp; Width = Ceiling Ht. -2.5' x 5.00 - RCR 4: Length &amp; Width = Ceiling Ht. -2.5' x 2.50 * Average Footcandles at 2.5' Above Floor</td> </tr> <tr> <td>12.0'</td> <td>10 fc</td> <td>11.4'</td> <td>4 fc</td> <td colspan="6"></td> </tr> <tr> <td>14.0'</td> <td>7 fc</td> <td>13.3'</td> <td>3 fc</td> <td colspan="6"></td> </tr> <tr> <td>16.0'</td> <td>6 fc</td> <td>15.2'</td> <td>2 fc</td> <td colspan="6"></td> </tr> </tbody> </table>	Mounting Height AFF	FC at Center on Floor	Beam Diameter	FC at Beam Edge	Ceiling Height	Fixture Spacing	RCR 2		RCR 4		FC +	W/Sq. Ft.	FC +	W/Sq. Ft.	5.5'	48 fc	5.2'	18 fc	9'	4'	66	1.79	58	1.79	6.5'	34 fc	6.2'	13 fc	12'	6'	31	0.84	27	0.84	7.5'	26 fc	7.1'	9 fc	16'	8'	15	0.42	13	0.42	8.5'	20 fc	8.1'	7 fc	Delivered Illuminance Rating: (DIR)		37 FC per W/Sq. Ft.		32 FC per W/Sq. Ft.		10.0'	14 fc	9.5'	5 fc	Recessed Mounting Square rooms used for multiple units: - RCR 2: Length & Width = Ceiling Ht. -2.5' x 5.00 - RCR 4: Length & Width = Ceiling Ht. -2.5' x 2.50 * Average Footcandles at 2.5' Above Floor						12.0'	10 fc	11.4'	4 fc							14.0'	7 fc	13.3'	3 fc							16.0'	6 fc	15.2'	2 fc						
	Mounting Height AFF	FC at Center on Floor	Beam Diameter	FC at Beam Edge								Ceiling Height	Fixture Spacing	RCR 2		RCR 4																																																																																			
						FC +	W/Sq. Ft.	FC +	W/Sq. Ft.																																																																																										
	5.5'	48 fc	5.2'	18 fc		9'	4'	66	1.79	58	1.79																																																																																								
	6.5'	34 fc	6.2'	13 fc		12'	6'	31	0.84	27	0.84																																																																																								
	7.5'	26 fc	7.1'	9 fc		16'	8'	15	0.42	13	0.42																																																																																								
	8.5'	20 fc	8.1'	7 fc		Delivered Illuminance Rating: (DIR)		37 FC per W/Sq. Ft.		32 FC per W/Sq. Ft.																																																																																									
	10.0'	14 fc	9.5'	5 fc		Recessed Mounting Square rooms used for multiple units: - RCR 2: Length & Width = Ceiling Ht. -2.5' x 5.00 - RCR 4: Length & Width = Ceiling Ht. -2.5' x 2.50 * Average Footcandles at 2.5' Above Floor																																																																																													
	12.0'	10 fc	11.4'	4 fc																																																																																															
	14.0'	7 fc	13.3'	3 fc																																																																																															
	16.0'	6 fc	15.2'	2 fc																																																																																															
	0.00°	0° - 10°	136	12%																																																																																															
0.00°	0° - 20°	471	43%																																																																																																
5.00°	0° - 30°	814	75%																																																																																																
10.00°	0° - 40°	937	86%																																																																																																
15.00°	0° - 60°	973	89%																																																																																																
20.00°	0° - 80°	988	90%																																																																																																
30.00°	0° - 90°	993	91%																																																																																																
40.00°	Total	1,093	100%																																																																																																
50.00°																																																																																																			
60.00°																																																																																																			
70.00°																																																																																																			
80.00°																																																																																																			
90.00°																																																																																																			

Delivered Lumens: **1,093**  
Luminaire Watts: **29.6**  
LER: **36.93**

CP at 0deg (Nadir): **1,446**  
CRI: **80+**

Beam Angle: **50.92**  
Spacing Ratio: **0.81**

Lumen Multiplier: **10L x 0.41, 15L x 0.52, 20L x 0.67**  
CCT Multiplier: **27K x 0.89, 30K x 0.95, 40K x 1.03**