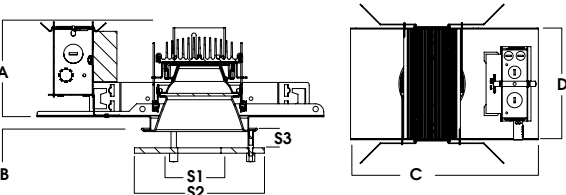
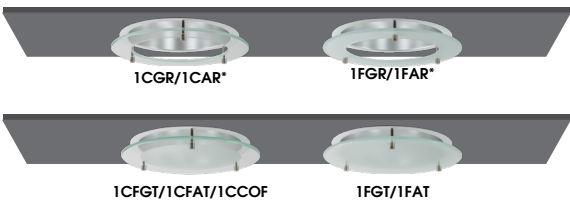
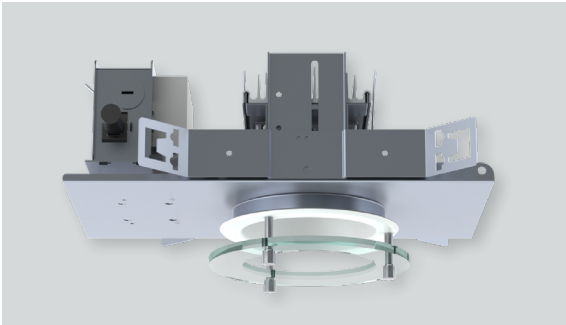




4" ILLUMITECH DECORATIVE ACCENT OS SERIES / 4500 LUMENS MAX



A	B	C	D	S1	S2	S3*
4.38 111.3 mm	0.625 15.9 mm	13.25 336.6 mm	7.9 200.7 mm	4.0 101.6 mm	6.0 152.4 mm	.75 19.05 mm

SGE4LEDOS - DECORATIVE TRIM / NON-IC RATED

APPLICATION

Illumitech decorative accent LED series creates ceiling brightness and visual interest while delivering performance illumination.

FEATURES

Decorative accent elements mechanically attach to reflector trim. Two-stage optical system for smooth light distribution. Zhaga International Standard LED module for ease of maintenance and replacement. Shallow plenum design. Tool-less LED module, driver and J-Box access. Multi-Bar mounting brackets. BH27 Standard mounting bars included. Posi-lock trim retention torsion springs. Integral 0.625" collar.

TRIM FINISH

A variety of architectural powdercoat and anodized finishes are available. Matte white flange is standard.

ELECTRONICS

LED module features high brightness white Osram LEDs. 3-step MacAdam Ellipse binning and CRI 84 minimum. Full range of electronic 120V/277V and dimming drivers.

CONSTRUCTION

Housing/frame constructed of #20 ga. galvanized steel to resist corrosion. Decorative accent elements are redered in tempered polished glass or machined polished acrylic. Passive machined aluminum heatsink.

CODE COMPLIANCE

BAA Compliant. Non-IC rated. ETL certified to meet US and Canadian standards. Suitable for dry or damp locations. Optional Wet location. LM79/LM80/TM21 data available. Manufactured and tested to UL standards No. 1598/8750.

WATTAGE TO LUMENS UPDATE					
CURRENT PART NUMBER EXAMPLE	PREVIOUS PART NUMBER EXAMPLE	SOURCE LUMENS ¹	DELIVERED LUMENS ²	SYSTEM WATTS	LPW
SGE4LEDOS10L	SGE4LEDOS14W	1100	508	13	41
SGE4LEDOS20L	SGE4LEDOS25W	2000	669	15	44
SGE4LEDOS30L	SGE4LEDOS35W	3000	830	22	37
SGE4LEDOS45L	N/A	4500	1239	30	42

SERIES	LUMENS ¹	CCT	DRIVER / VOLTAGE ³	OPTIONS ⁵	TRIM	FINISH	TRIM OPTIONS		
SGE4LEDOS	10L	1100 Lm	27K 2700K	E Electronic Driver DS10 10%, 0-10V DO10 1%, 0-10V DS2W1 1%, ELV/MLV, 120V DLTE1 1% Lutron® 2-Wire Forward Phase, 120V DL3E 1% Lutron® EcoSystem®, Fade EL10 1%, eldoLED ED01 0.1%, eldoLED DALI DALI Control DMXS⁴ DMX Standard Configuration DMXC⁴ DMX Non-Standard Custom	1 120V 2 277V	BH27⁶ 27" Solid Bars H12 12" - 24" Expandable Bars H06 6" - 12" Expandable Bars CB24 24" C-Channel Bars FS Fusing EB Fixture Painted Black CR Corrosion Resistant PR⁷ Deep Ceiling Extension GR Goof Ring ZIG⁸ ZigBee Module BLU⁹ Bluetooth LE EM⁹ 7W Emergency Battery Test Switch Remote AMB Anti-Microbial Finish	AR4223OS	MW¹⁰ Matte White MB Matte Black SG Semi-Diffuse HZ Hoze Full Diffuse PT Platinum Silver BZ Bronze OB Oil Rubbed Bronze CH Charcoal AS Anodic Sapphire AN Anodic Natural AC Anodic Champagne AZ Anodic Bronze AK Anodic Black AM Anodic Malachite SN Sun Gold CO Copper Metallic GH Graphite CC¹¹ Custom Color	SO¹² Micro Prism Solite™ Lens WL Wet Location PF¹³ Polished Flange AMB Anti-Microbial Finish DECORATIVE TRIM 1CFGF Center Frosted Glass Ring/Tier 1CFAT Center Frosted Acrylic Ring/Tier 1FGT Frosted Glass Tier 1FAT Frosted Acrylic Tier 1CGR Clear Glass Ring/Tier 1CAR Clear Acrylic Ring/Tier 1FGR Frosted Glass Ring/Tier 1FAR Frosted Acrylic Ring/Tier 1CCOF 1 Center Clear Outside Edge Frosted Glass Tier
	20L	2000 Lm	30K 3000K						
	30L	3000 Lm	35K 3500K						
	45L	4500 Lm	40K 4000K						

EXAMPLE: SGE4LEDOS20L35KE1/AR4223OSMWSO1CGR

NOTES:
 1 Nominal Source Lumens at 35K 2 Nominal Delivered Lumens 84 CRI at 35K with MW SO 1FGR 3 Contact Factory for Additional Options 4 Contact Factory 5 See Product Options Page for Details 6 Standard Bar Hangers
 7 Contact Factory 8 Order DS101/2 When Specifying Zig or BLU 9 Standard EM 10 Standard Finish 11 Contact Factory for Special Finishes 12 Required 13 Flange and Reflector Same Finish



PROJECT: _____
 TYPE: _____



Dimensions and values shown are nominal. Spectrum Lighting continually works to improve products and reserves the right to make changes which may alter the performance or appearance of products.

4" ILLUMITECH DECORATIVE ACCENT

OS SERIES / PHOTOMETRIC DATA

recessed fixtures



SGE4LEDOS 30L 35K DS101 AR4223OS MW SO 1CFGT

CANDLEPOWER CURVE TEST SP-00909	INTENSITY CANDELA 0° AZIMUTH	ZONAL LUMENS	SINGLE UNIT: PERFORMANCE INITIAL FOOTCANDLES BASED ON IES BEAM ANGLE				MULTIPLE UNITS: PERFORMANCE 80/50/20% REFLECTANCES INITIAL FOOTCANDLES AND WATTS PER SQUARE FOOT								
			Mounting Height AFF	FC at Center on Floor	Beam Diameter	FC at Beam Edge	Ceiling Height	Fixture Spacing	RCR 2		RCR 4		Delivered Illuminance Rating: (DIR)		
	0.00°		0° - 10°	99	9%	5.5'	35 fc	6.2'	11 fc	9'	4'	66		1.79	56
	0.00°	1,051	0° - 20°	334	30%	6.5'	25 fc	7.3'	8 fc	12'	6'	31	0.84	26	0.84
	5.00°	1,041	0° - 30°	622	56%	7.5'	19 fc	8.5'	6 fc	16'	8'	15	0.42	13	0.42
	10.00°	980	0° - 40°	817	73%	8.5'	15 fc	9.6'	5 fc	Delivered Illuminance Rating: (DIR)					
	15.00°	836	0° - 60°	964	86%	10.0'	11 fc	11.3'	3 fc	37 FC per W/Sq. Ft.					
	20.00°	726	0° - 80°	1,015	91%	12.0'	7 fc	13.6'	2 fc	31 FC per W/Sq. Ft.					
	30.00°	506	0° - 90°	1,023	92%	14.0'	5 fc	15.8'	2 fc	Recessed Mounting					
	40.00°	180	Total	1,115	100%	16.0'	4 fc	18.1'	1 fc	Square rooms used for multiple units:					
	50.00°	79								- RCR 2: Length & Width = Ceiling Ht. -2.5' x 5.00					
	60.00°	48								- RCR 4: Length & Width = Ceiling Ht. -2.5' x 2.50					
	70.00°	22								+ Average Footcandles at 2.5' Above Floor					
	80.00°	10													
90.00°	2														

Delivered Lumens: 1,115
Luminaire Watts: 29.6
LER: 37.67

CP at 0deg (Nadir): 1,051
CRI: 80+

Beam Angle: 58.91
Spacing Ratio: 0.86

Lumen Multiplier: 10L x 0.41, 15L x 0.52, 20L x 0.67
CCT Multiplier: 27K x 0.89, 30K x 0.95, 40K x 1.03

SGE4LEDOS 30L 35K DS101 AR4223OS MW SO 1FGT

CANDLEPOWER CURVE TEST SP-00911	INTENSITY CANDELA 0° AZIMUTH	ZONAL LUMENS	SINGLE UNIT: PERFORMANCE INITIAL FOOTCANDLES BASED ON IES BEAM ANGLE				MULTIPLE UNITS: PERFORMANCE 80/50/20% REFLECTANCES INITIAL FOOTCANDLES AND WATTS PER SQUARE FOOT								
			Mounting Height AFF	FC at Center on Floor	Beam Diameter	FC at Beam Edge	Ceiling Height	Fixture Spacing	RCR 3		RCR 5		Delivered Illuminance Rating: (DIR)		
	0.00°		0° - 10°	100	10%	5.5'	36 fc	4.7'	14 fc	9'	4'	49		1.58	41
	0.00°	1,099	0° - 20°	325	31%	6.5'	26 fc	5.6'	10 fc	12'	4'	58	1.89	34	1.31
	5.00°	1,058	0° - 30°	549	52%	7.5'	20 fc	6.4'	8 fc	16'	6'	22	0.72	17	0.65
	10.00°	953	0° - 40°	701	67%	8.5'	15 fc	7.3'	6 fc	Delivered Illuminance Rating: (DIR)					
	15.00°	811	0° - 60°	862	82%	10.0'	11 fc	8.6'	4 fc	31 FC per W/Sq. Ft.					
	20.00°	652	0° - 80°	944	90%	12.0'	8 fc	10.3'	3 fc	26 FC per W/Sq. Ft.					
	30.00°	357	0° - 90°	955	91%	14.0'	6 fc	12.0'	2 fc	Recessed Mounting					
	40.00°	173	Total	1,047	100%	16.0'	4 fc	13.7'	2 fc	Square rooms used for multiple units:					
	50.00°	92								- RCR 3: Length & Width = Ceiling Ht. -2.5' x 3.33					
	60.00°	64								- RCR 5: Length & Width = Ceiling Ht. -2.5' x 2.00					
	70.00°	39								+ Average Footcandles at 2.5' Above Floor					
	80.00°	20													
90.00°	4														

Delivered Lumens: 1,047
Luminaire Watts: 29.6
LER: 35.37

CP at 0deg (Nadir): 1,099
CRI: 80+

Beam Angle: 46.37
Spacing Ratio: 0.72

Lumen Multiplier: 10L x 0.41, 15L x 0.52, 20L x 0.67
CCT Multiplier: 27K x 0.89, 30K x 0.95, 40K x 1.03

SGE4LEDOS 30L 35K DS101 AR4223OS MW SO 1FGR

CANDLEPOWER CURVE TEST SP-00910	INTENSITY CANDELA 0° AZIMUTH	ZONAL LUMENS	SINGLE UNIT: PERFORMANCE INITIAL FOOTCANDLES BASED ON IES BEAM ANGLE				MULTIPLE UNITS: PERFORMANCE 80/50/20% REFLECTANCES INITIAL FOOTCANDLES AND WATTS PER SQUARE FOOT								
			Mounting Height AFF	FC at Center on Floor	Beam Diameter	FC at Beam Edge	Ceiling Height	Fixture Spacing	RCR 3		RCR 5		Delivered Illuminance Rating: (DIR)		
	0.00°		0° - 10°	172	14%	5.5'	62 fc	4.1'	26 fc	9'	4'	61		1.58	54
	0.00°	1,888	0° - 20°	551	44%	6.5'	45 fc	4.8'	18 fc	12'	4'	74	1.89	45	1.31
	5.00°	1,836	0° - 30°	827	67%	7.5'	34 fc	5.6'	14 fc	16'	6'	28	0.72	22	0.65
	10.00°	1,700	0° - 40°	986	80%	8.5'	26 fc	6.3'	11 fc	Delivered Illuminance Rating: (DIR)					
	15.00°	1,428	0° - 60°	1,119	90%	10.0'	19 fc	7.5'	8 fc	39 FC per W/Sq. Ft.					
	20.00°	1,003	0° - 80°	1,151	93%	12.0'	13 fc	9.0'	5 fc	34 FC per W/Sq. Ft.					
	30.00°	369	0° - 90°	1,155	93%	14.0'	10 fc	10.4'	4 fc	Recessed Mounting					
	40.00°	178	Total	1,239	100%	16.0'	7 fc	11.9'	3 fc	Square rooms used for multiple units:					
	50.00°	70								- RCR 3: Length & Width = Ceiling Ht. -2.5' x 3.33					
	60.00°	37								- RCR 5: Length & Width = Ceiling Ht. -2.5' x 2.00					
	70.00°	13								+ Average Footcandles at 2.5' Above Floor					
	80.00°	5													
90.00°	2														

Delivered Lumens: 1,239
Luminaire Watts: 29.6
LER: 41.86

CP at 0deg (Nadir): 1,888
CRI: 80+

Beam Angle: 40.91
Spacing Ratio: 0.68

Lumen Multiplier: 10L x 0.41, 15L x 0.52, 20L x 0.67
CCT Multiplier: 27K x 0.89, 30K x 0.95, 40K x 1.03