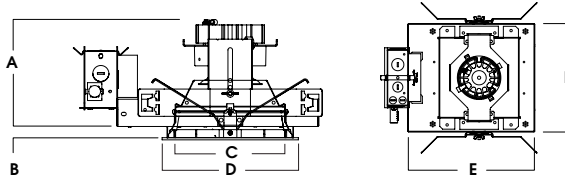
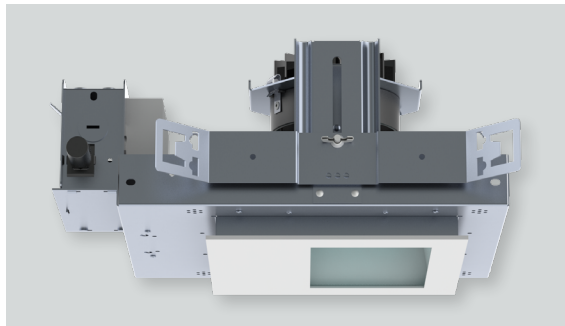
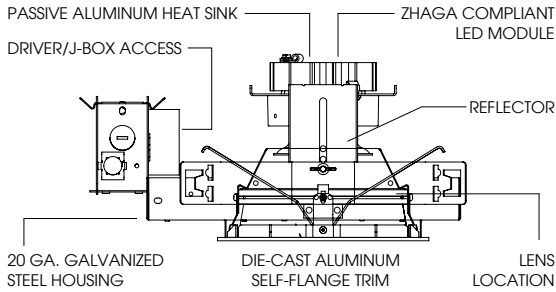




6" SQUARE WALL WASH XT SERIES / 5000 LUMENS MAX



A	B	C	D	E	F
10L-20L: 5.6	.625	6.0	7.5	13.2	9.5
30L-50L: 6.6	15.2 mm	152.4 mm	191.0 mm	335.3 mm	241.3 mm

SWFO6XT - TRIM FLANGE / NON-IC RATED

APPLICATION

Versatile 6" Square aperture recessed LED wall wash with a wide range of lumens and control options.

FEATURES

Two-stage optical system for smooth light distribution and focus control. Quick change LED module with interchangeable optics for job site adjustment and fixture maintenance. Shallow plenum design. Tool-less driver and j-box access. Posi-lock trim retention torsion springs. See SWZO6 series for trimless plaster or wood ceiling.

TRIM FINISH

A variety of architectural powdercoat and anodized finishes are available.

Matte white flange is standard.

ELECTRONICS

LED system features Xicato LED module with proprietary phosphor technology that provides consistent, stable color with CCT control of +/- 100K over life of the light engine. Base CRI is 83 with 2-step MacAdam Ellipse binning. High CRI is 98 with 1x2-step MacAdam Ellipse binning. Variety of electronic 120V/277V and dimming drivers.

CONSTRUCTION

Housing/frame constructed of #20 ga. galvanized steel to resist corrosion. Self-Flanged one piece trim die-cast high purity aluminum and finished to specification.

CODE COMPLIANCE

BAA Compliant. Non-IC rated. ETL certified to meet US and Canadian standards. Suitable for dry or damp locations. Optional Wet location. Manufactured and tested to UL standards No. 1598/8750.

WATTAGE TO LUMENS UPDATE					
CURRENT PART NUMBER EXAMPLE	PREVIOUS PART NUMBER EXAMPLE	SOURCE LUMENS ¹	DELIVERED LUMENS ²	SYSTEM WATTS	LPW
SWFO6XT10L	SWFO6LEDX115W	1000	480	11.1	43.2
SWFO6XT13L	SWFO6LEDX120W	1300	647	15.0	43.1
SWFO6XT20L	SWFO6LEDX133W	2000	996	23.7	42.0
SWFO6XT30L	SWFO6LEDX152W	3000	1493	34.6	43.1
SWFO6XT40L	N/A	4000	1916	39.9	48.0
SWFO6XT50L	N/A	5000	2489	54.0	46.1

SERIES	LUMENS ¹	CCT	OPTICS	DRIVER / DIMMING / VOLTAGE ³	OPTIONS ⁶	TRIM	FINISH	TRIM OPTIONS ¹³						
SWFO6XT	83 CRI		WD	E Electronic Driver DS10_ 10% 0-10V DO10_ 1% 0-10V DS2W1 1%, ELV/MLV, 120V DLTE1⁴ 1% Lutron® 2-Wire Forward Phase, 120V DL3E_⁴ 1% Lutron® EcoSystem®, Fade EL10_ 1%, eldoLED ED01_ 0.1%, eldoLED DALI_ DALI Control DMXS_⁵ DMX Standard Configuration DMXC_⁵ DMX Non-Standard Custom	1 120V 2 277V	BH27⁷ 27" Solid Bars H12 12" - 24" Expandable Bars H06 6" - 12" Expandable Bars CB24 24" C-Channel Bars EM Integral Emergency Battery FS Fusing EB Black Housing CR Corrosion Resistant PR⁸ Deep Ceiling Extension GR Goof Ring AMB Anti Microbial Finish	SW6FXT⁹	MW¹⁰ Matte White MB Matte Black SG¹¹ Semi-Diffuse HZ¹¹ Haze Full Diffuse PT Platinum Silver BZ Bronze CH Charcoal AS Anodic Sapphire AM Anodic Malachite SN Sun Gold CO Copper Metallic GH Graphite AMB Anti Microbial Finish CC¹² Custom Color	SKX¹⁴ Linear Wall Wash Lens SKW Linear Wall Wash Lens Wet Location					
			XW											
										Wide				
										Extra Wide				

EXAMPLE: SWFO6XT40L35KXWE1H12/SW6FXTMWSKX

NOTES:
 1 Nominal Source Lumens at Any CCT 2 Nominal Delivered Lumens 83 CRI at Any CCT with XW-MW-SKX 3 Contact Factory for Additional Options 4 50L Not Available with Lutron Drivers 5 Contact Factory 6 See Product Options Page for Details 7 Standard Bar Hangers 8 Contact Factory 9 "F" Indicates Self-Flange Trim, Matte White Standard 10 Standard Finish 11 Anodized Reflector with Matte White Flange 12 Contact Factory for Special Lenses 13 Contact factory for Special Lenses/Louvers 14 Standard Lens



PROJECT: _____
 TYPE: _____



Dimensions and values shown are nominal. Spectrum Lighting continually works to improve products and reserves the right to make changes which may alter the performance or appearance of products.