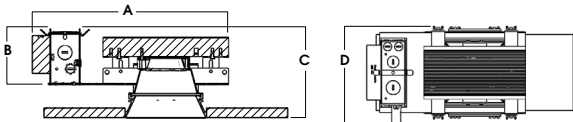
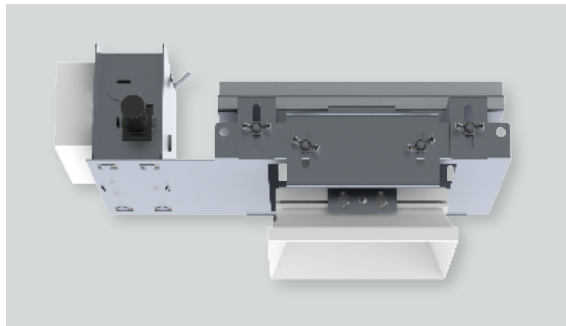
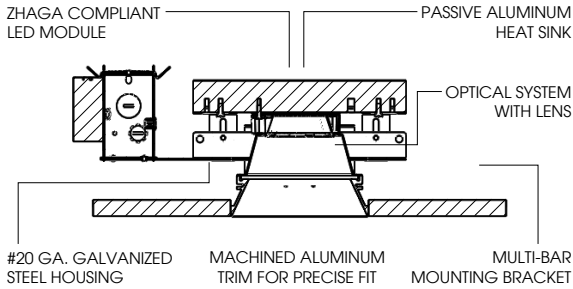




6" TECHZONE™ DOWNLIGHT OS SERIES / 4500 LUMENS MAX



A	B	C	D	S1
12.1	3.4	5.5	7.5	4.94
307.3 mm	86.4 mm	139.7 mm	190.5 mm	125.5 mm

SGTZ6LEDOS - TECHZONE™ / NON-IC RATED

APPLICATION

6" Square Recessed downlight series for installation in TechZone™ 6" ceilings.

FEATURES

Two-stage optical system for smooth light distribution. Zhaga International Standard LED module for ease of maintenance and replacement. Tool-less LED module, driver and J-Box access.

FINISH

Trim is powdercoated Matte White.

ELECTRONICS

LED module features high brightness white Osram LEDs. 3-step MacAdam Ellipse binning and CRI 84 minimum. Full range of electronic 120V/277V and dimming drivers.

CONSTRUCTION

Housing/frame constructed of #20 ga. galvanized steel to resist corrosion. Flangeless one piece trim extruded high purity aluminum and finished.

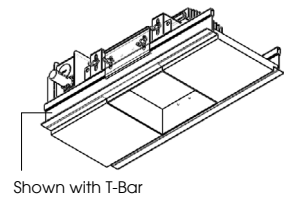
CODE COMPLIANCE

BAA Compliant. Non-IC rated. ETL certified to meet US and Canadian standards. Suitable for dry or damp locations. Manufactured and tested to UL standards No. 1598/8750.

INSTALLATION

TechZone™ base fixture fits 15/16 T-Bar flat or tegular tile. Optional 9/16 T-Bar or tegular tile.

WATTAGE / LUMENS DATA		
PART NUMBER	SOURCE LUMENS ¹	SYSTEM WATTS
SGTZ6LEDOS10L	1100	11
SGTZ6LEDOS15L	1500	13
SGTZ6LEDOS20L	2000	20
SGTZ6LEDOS30L	3000	28
SGTZ6LEDOS45L	4500	41



SERIES	LUMENS ¹	CCT	DRIVER / DIMMING / VOLTAGE ²	OPTIONS ³	TRIM OPTIONS ⁷
SGTZ6LEDOS	10L 1100 Lm	27K 2700K	E_ Electronic Driver DS10_ 10%, 0-10V DO10_ 1%, 0-10V DS2W1 1%, ELV/MLV, 120V DLTE1 1% Lutron® 2-Wire Forward Phase, 120V DL3E_ 1% Lutron® EcoSystem®, Fade EL10_ 1%, eldoLED ED01_ 0.1%, eldoLED DALI_ DALI Control	1 120V 2 277V FS Fusing EM⁴ 7W Emergency Battery Test Switch Remote EMIT⁵ 7W Emergency Battery Test Switch in Trim CR Corrosion Resistant ZIG⁶ ZigBee Module BLU⁶ Bluetooth LE 916 9/16 T-Bar AMB Anti-Microbial Finish	MW FO90⁸ Matte White Acrylic Lens EMIT⁵ Emergency Test Switch in Trim AMB Anti-Microbial Finish
	15L 1500 Lm	30K 3000K			
	20L 2000 Lm	35K 3500K			
	30L 3000 Lm	40K 4000K			
	45L 4500 Lm				

EXAMPLE: SGTZ6LEDOS20L30KE1/MWFO90

NOTES:
 1 Nominal Source Lumens at 35K 2 Contact Factory for Additional Options 3 See Product Options Page for Details 4 Standard EM 5 EMIT Suffix Required on Trim and Housing 6 Order DS101/2 When Specifying ZIG or BLU
 7 Matte White Trim Supplied 8 Standard Lens



PROJECT: _____
 TYPE: _____



Dimensions and values shown are nominal. Spectrum Lighting continually works to improve products and reserves the right to make changes which may alter the performance or appearance of products.