



8" ROUND DOWNLIGHT

GK SERIES / 10000 LUMENS



SGES8GK - TRIM FLANGE / NON-IC RATED

APPLICATION

8" recessed open aperture high output fixture for high ceiling area lighting.

FEATURES

Single stage optical system with deep reflector design delivers smooth general illumination. Multi-Bar mounting brackets. BH27 Standard mounting bars included. Integral 0.625" collar, with plaster option (PR) for up to 1.5" thick ceiling.

FINISH

Semi-Diffuse self-flange is standard.

ELECTRONICS

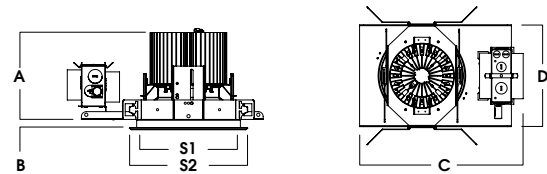
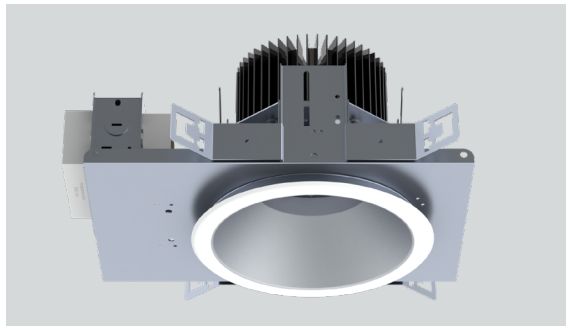
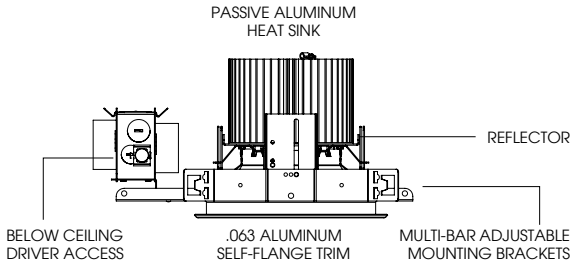
GK LED system features high brightness white LED's. 3-step MacAdam Ellipse binning. Standard CRI: 80+. Higher CRI, is available; consult factory. Variety of electronic 120V/277V and dimming drivers.

CONSTRUCTION

Housing/frame constructed of #20 ga. galvanized steel to resist corrosion. Self-flanged one piece trim spun from 0.063" thick high purity aluminum and finished to specification. Extruded and machined 6063-H32 aluminum heatsink.

CODE COMPLIANCE

BAA Compliant. Non-IC rated. ETL certified to meet US and Canadian standards. Suitable for dry or damp locations. Manufactured and tested to UL standards No. 1598/8750.



A	B	C	D	S1	S2
7.0 177.8 mm	.625 15.9 mm	15.1 383.5 mm	9.4 238.8 mm	7.4 188.0 mm	9.1 231.1 mm

Ceiling Cutout: Ø 8.0"

WATTAGE / LUMENS DATA				
PART NUMBER	SOURCE LUMENS ¹	DELIVERED LUMENS ²	SYSTEM WATTS	LPW
SGES8GK 65L	6500	5137	53	97
SGES8GK 100L	10000	8027	82	97

SERIES	LUMENS ¹	CCT	DRIVER / VOLTAGE	OPTIONS ⁴	MOUNTING	TRIM	FINISH ⁷	FLANGE FINISH	ACCESSORIES	
SGES8GK	65L 6500 Lm	27K 2700K	E Electronic Driver DS10_ 10%, 0-10V DO10_ 1%, 0-10V DMXS_3 DMX Standard Configuration DMXC_3 DMX Non-Standard Custom	1 120V 2 277V	FS Fusing EM Integral Emergency Battery CR Corrosion Resistant PR ⁵ Deep Ceiling Extension EB Black Housing	BH27 ⁶ 27" Solid Bars H12 12" - 24" Expandable Bars CB24 24" C-Channel Bars	AR8SGK	SG Semi-Diffuse MW Matte White	MF Matching Flange WF ⁸ White Flange	GS Gasket
	100L 10000 Lm	30K 3000K 35K 3500K 40K 4000K								

EXAMPLE: SGES8GK100L30KE1BH27/AR8SGKSGWF

NOTES:
 1 Nominal Source Lumens 2 Nominal Delivered Lumens at 35K SG 3 Contact Factory 4 See Product Options Page for Details 5 Contact Factory 6 Standard Bar Hangers 7 Contact Factory for Special Finishes
 8 Only for Use with Non Matte White Finish



PROJECT: _____
 TYPE: _____



Dimensions and values shown are nominal. Spectrum Lighting continually works to improve products and reserves the right to make changes which may alter the performance or appearance of products.

PHOTOMETRIC DATA - 8" ROUND DOWNLIGHT

SGES8GK 100L 35K AR8GK SG

CANDLEPOWER CURVE TEST SP-00928	INTENSITY CANDELA 0° AZIMUTH	ZONAL LUMENS	SINGLE UNIT: PERFORMANCE INITIAL FOOTCANDLES BASED ON IES BEAM ANGLE				MULTIPLE UNITS: PERFORMANCE 80/50/20% REFLECTANCES INITIAL FOOTCANDLES AND WATTS PER SQUARE FOOT								
			Mounting Height AFF	FC at Center on Floor	Beam Diameter	FC at Beam Edge	Ceiling Height	Fixture Spacing	RCR 2		RCR 4				
	0.00°	0.00°	0° - 10°	633	8%	6.0'	185 fc	7.6'	91 fc	14'	8'	119	1.22	74	0.90
	0.00°	6,671	0° - 20°	2,273	28%	8.0'	104 fc	10.2'	51 fc	18'	10'	85	0.88	72	0.88
	5.00°	6,605	0° - 30°	4,318	54%	10.0'	67 fc	12.7'	33 fc	22'	14'	41	0.42	26	0.31
	10.00°	6,359	0° - 40°	6,155	77%	12.0'	46 fc	15.3'	23 fc	Delivered Illuminance Rating: (DIR)					
	15.00°	5,884	0° - 60°	7,911	99%	14.0'	34 fc	17.8'	17 fc						
	20.00°	5,225	0° - 80°	8,025	100%	16.0'	26 fc	20.4'	13 fc	Recessed Mounting Square rooms used for multiple units: - RCR 2: Length & Width = Ceiling Ht. -2.5' x 5.00 - RCR 4: Length & Width = Ceiling Ht. -2.5' x 2.50 + Average Footcandles at 2.5' Above Floor					
	30.00°	3,710	0° - 90°	8,027	100%	20.0'	17 fc	25.4'	8 fc						
	40.00°	2,229	Total	8,027	100%	24.0'	12 fc	30.5'	6 fc						
	4500 cd	296								Lumen Multiplier: 65L x 0.64 CCT Multiplier: 27K x 0.95, 30K x 0.98, 40K x 1.00					
	5000 cd	1,032								Beam Angle: 64.93 Spacing Ratio: 0.92					
	5500 cd	7								CP at 0deg (Nadir): 6,671 CRI: 80+					
	6000 cd	7													
	6500 cd	2													
7000 cd	1														

Delivered Lumens: 8,027
Luminaire Watts: 82.4
LER: 97.42

CP at 0deg (Nadir): 6,671
CRI: 80+

Beam Angle: 64.93
Spacing Ratio: 0.92

Lumen Multiplier: 65L x 0.64
CCT Multiplier: 27K x 0.95, 30K x 0.98, 40K x 1.00

SGES8GK 100L 35K AR8GK MW

CANDLEPOWER CURVE TEST SP-00926	INTENSITY CANDELA 0° AZIMUTH	ZONAL LUMENS	SINGLE UNIT: PERFORMANCE INITIAL FOOTCANDLES BASED ON IES BEAM ANGLE				MULTIPLE UNITS: PERFORMANCE 80/50/20% REFLECTANCES INITIAL FOOTCANDLES AND WATTS PER SQUARE FOOT								
			Mounting Height AFF	FC at Center on Floor	Beam Diameter	FC at Beam Edge	Ceiling Height	Fixture Spacing	RCR 2		RCR 4				
	0.00°	0.00°	0° - 10°	437	5%	6.0'	125 fc	11.1'	57 fc	14'	10'	90	0.90	74	0.90
	0.00°	4,492	0° - 20°	1,703	20%	8.0'	70 fc	14.8'	32 fc	18'	12'	49	0.49	40	0.49
	5.00°	4,503	0° - 30°	3,604	42%	10.0'	45 fc	18.5'	21 fc	22'	16'	31	0.31	26	0.31
	10.00°	4,513	0° - 40°	5,610	66%	12.0'	31 fc	22.2'	14 fc	Delivered Illuminance Rating: (DIR)					
	15.00°	4,484	0° - 60°	7,949	93%	14.0'	23 fc	25.9'	10 fc						
	20.00°	4,377	0° - 80°	8,476	100%	16.0'	18 fc	29.6'	8 fc	Recessed Mounting Square rooms used for multiple units: - RCR 2: Length & Width = Ceiling Ht. -2.5' x 5.00 - RCR 4: Length & Width = Ceiling Ht. -2.5' x 2.50 + Average Footcandles at 2.5' Above Floor					
	30.00°	3,768	0° - 90°	8,509	100%	20.0'	11 fc	37.0'	5 fc						
	40.00°	2,607	Total	8,509	100%	24.0'	8 fc	44.3'	4 fc						
	4500 cd	1,406								Lumen Multiplier: 65L x 0.64 CCT Multiplier: 27K x 0.95, 30K x 0.98, 40K x 1.00					
	5000 cd	1,406								Beam Angle: 85.47 Spacing Ratio: 1.23					
	5500 cd	564								CP at 0deg (Nadir): 4,492 CRI: 80+					
	6000 cd	229													
	6500 cd	77													
7000 cd	2														

Delivered Lumens: 8,509
Luminaire Watts: 82.4
LER: 103.26

CP at 0deg (Nadir): 4,492
CRI: 80+

Beam Angle: 85.47
Spacing Ratio: 1.23

Lumen Multiplier: 65L x 0.64
CCT Multiplier: 27K x 0.95, 30K x 0.98, 40K x 1.00

