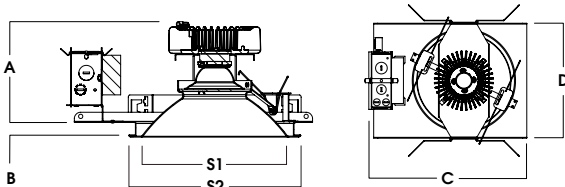
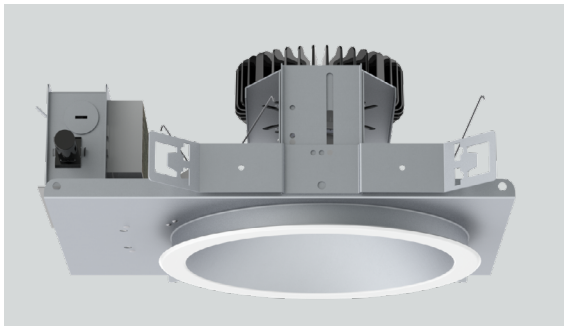
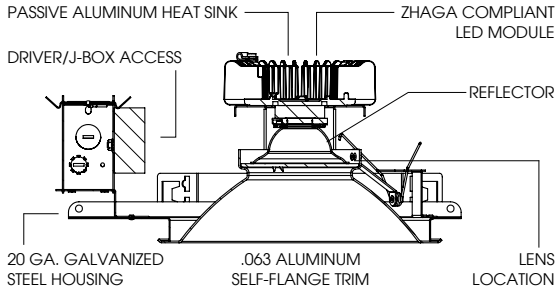




9" ROUND DOWNLIGHT XT SERIES / 5000 LUMENS MAX



A	B	C	D	S1	S2
5.6	.80	14.4	10.5	8.42	9.3
142.2 mm	20.32 mm	365.8 mm	266.7 mm	213.9 mm	236.2 mm

SGE9XT - TRIM FLANGE / NON-IC RATED

APPLICATION

Versatile 9" Round aperture recessed LED downlight with a wide range of lumens and optical controls.

FEATURES

Two-stage optical system for smooth light distribution and focus control. Quick change LED module with interchangeable optics for job site adjustment and fixture maintenance. Shallow plenum design. Tool-less driver and j-box access. Posi-lock trim retention torsion springs.

TRIM FINISH

A variety of architectural powdercoat and anodized finishes are available.

Matte White flange is standard.

ELECTRONICS

LED system features Xicato LED module with proprietary phosphor technology that provides consistent, stable color with CCT control of +/- 100K over life of the light engine. Base CRI is 83 with 2-step MacAdam Ellipse binning. High CRI is 98 with 1x2-step MacAdam Ellipse binning. Variety of electronic 120V/277V and dimming drivers.

CONSTRUCTION

Housing/frame constructed of #20 ga. galvanized steel to resist corrosion. Self-Flanged one piece trim spun from 0.063" thick high purity aluminum and finished to specification.

CODE COMPLIANCE

BAA Compliant. Non-IC rated. ETL certified to meet US and Canadian standards. Suitable for dry or damp locations. Optional Wet location. Manufactured and tested to UL standards No. 1598/8750.

WATTAGE / LUMENS DATA		
PART NUMBER	SOURCE LUMENS ¹	SYSTEM WATTS
SGE9XT10L	1000	11.1
SGE9XT13L	1300	15.0
SGE9XT20L	2000	23.7
SGE9XT30L	3000	34.6
SGE9XT40L	4000	39.9
SGE9XT50L	5000	54.0

SERIES	LUMENS ¹	CCT	OPTICS	DRIVER / DIMMING / VOLTAGE ³	OPTIONS ⁶	TRIM	FINISH	TRIM OPTIONS			
SGE9XT	83 CRI		XN ² 10° ND 26° MD 45° WD 50° XW 55°	E Electronic Driver DS10_ 10% 0-10V DO10_ 1% 0-10V DS2W1 1%, ELV/MLV, 120V DLTE1 ⁴ 1% Lutron® 2-Wire Forward Phase, 120V DL3E_4 1% Lutron® EcoSystem®, Fade EL10_ 1%, eldoLED ED01_ 0.1%, eldoLED DALI_ DALI Control DMXS_5 DMX Standard Configuration DMXC_5 DMX Non-Standard Custom	1 120V 2 277V	AR9466XT	SG ⁷ Semi-Diffuse HZ Haze Full Diffuse MW Matte White MB Matte Black PT Platinum Silver OB Oil Rubbed Bronze CH Charcoal AC Anodic Champagne AS Anodic Sapphire AM Anodic Malachite SN Sun Gold CO Copper Metallic GH Graphite AMB Anti Microbial Finish CC ¹⁰ Custom Color	SO ¹¹ Micro Prism Solite™ Lens GL Clear Glass Lens FG Frosted Glass Lens GS Gasket WL Wet Location PF ¹² Polished Flange			
	10L	1000 Lm							27K	2700K	BH27 ⁸ 27" Solid Bars
	13L	1300 Lm							30K	3000K	H12 12" - 24" Expandable Bars
	20L	2000 Lm							35K	3500K	H06 6" - 12" Expandable Bars
	30L	3000 Lm							40K	4000K	CB24 24" C-Channel Bars
	40L	4000 Lm									EM Integral Emergency Battery
	98 CRI		27HK 2700K 30HK 3000K 35HK 3500K 40HK 4000K						FS Fusing EB Black Housing CR Corrosion Resistant PR ⁹ Deep Ceiling Extension GR GooF Ring AMB Anti Microbial Finish		
	10L	1000 Lm									
	13L	1300 Lm									
	20L	2000 Lm									
	30L	3000 Lm									

EXAMPLE: SGE9XT13L35KNDE1BH27/AR9466XTSG

NOTES:
 1 Nominal Source Lumens at Any CCT 2 XN 20L Max at 83 and 98 CRI 3 Contact Factory for Additional Options 4 50L Not Available with Lutron Drivers 5 Contact Factory 6 See Product Options Page for Details
 7 Standard Bar Hangers 8 Contact Factory 9 Standard Finish 10 Contact Factory for Special Finishes 11 Standard Lens 12 Flange and Reflector Same Finish



PROJECT: _____
 TYPE: _____



Dimensions and values shown are nominal. Spectrum Lighting continually works to improve products and reserves the right to make changes which may alter the performance or appearance of products.