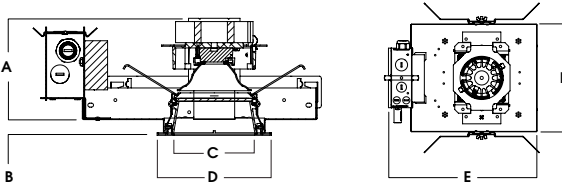
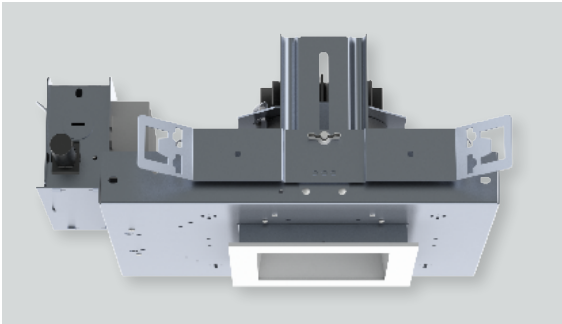
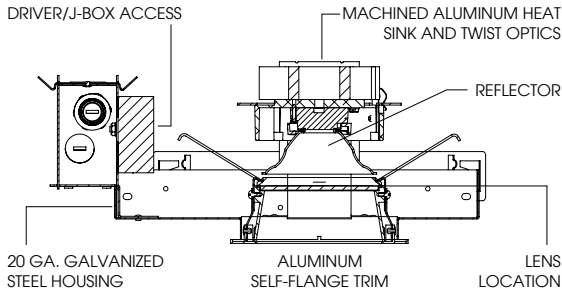




4" SQUARE DOWNLIGHT TUNABLE COLOR (HUE) LU SERIES / 2000 LUMENS MAX



A	B	C	D	E	F
6.1 154.9 mm	.625 15.2 mm	4.0 101.6 mm	5.4 137.2 mm	14.7 373.4 mm	9.5 241.3 mm

SDFO4LEDLU - TRIM FLANGE / NON-IC RATED

APPLICATION

4" Square LU LED downlight platform with Tunable color (HUE) LED system. System can be programmed for scenes or set for manual control. Adjusts to over 300,000 colors as well as 1650K-8000K white light.

FEATURES

Two-stage optical system for smooth light distribution and focus control. Quick change LED module with interchangeable optics for job site adjustment and fixture maintenance. Shallow plenum design. Tool-less driver and j-box access. Posi-lock trim retention torsion springs. Integral 0.625" collar with deep ceiling option for up to 2" thick ceiling (PR).

TRIM FINISH

A variety of architectural powdercoat and anodized finishes are available. Matte white flange is standard.

ELECTRONICS

LED system features LED module with proprietary Tunable color (HUE) technology that provides consistent, stable color with CCT control of +/- 100K over life of the light engine. Base CRI is 90 with <2 MacAdam Ellipse binning. Variety of dimming controls (by Others).

CONSTRUCTION

Housing/frame constructed of #20 ga. galvanized steel to resist corrosion. Self-flanged one piece trim high purity aluminum and finished to specification.

CODE COMPLIANCE

BAA Compliant. Non-IC rated. ETL certified to meet US and Canadian standards. Suitable for dry or damp locations. Optional Wet location. Manufactured and tested to UL standards No. 1598/8750.

WATTAGE TO LUMENS UPDATE		
PART NUMBER	SOURCE LUMENS ¹	SYSTEM WATTS
SDFO4LEDLU12L	1250	25
SDFO4LEDLU15L	1500	32
SDFO4LEDLU20L	2000	43

SERIES	LUMENS ¹	CCT / K	BEAM	CONTROL / VOLTAGE ²	OPTIONS	TRIM	FINISH	TRIM OPTIONS ¹⁰			
SDFO4LEDLU	12L	1250 Lm	80CMX	80K-16K	ND 20° MD 30° WD 40° XW 50°	DU ₃ 1% 0-10V Dimming DL3E ₃ 1%, Lutron® EcoSystem® Fade DMXS ₄ DMX Standard Configuration	1 120V 2 277V	BH27 ⁵ 27" Solid Bars H12 12" - 24" Expandable Bars H06 6" - 12" Expandable Bars CB24 24" C-Channel Bars EB Black Housing PR ⁴ Deep Ceiling Extension	SD4FLU ⁶	MW ⁷ Matte White	PF ¹¹ Polished Flange SOX ¹² Micro Prism Solite™ Lens PGX Prismatic Glass Lens GLX Clear Glass Lens FGX Frosted Glass Lens SOW Micro Prism Solite™ Lens Wet Location PGW Prismatic Glass Lens Wet Location GLW Clear Glass Lens Wet Location FGW Frosted Glass Lens Wet Location
	15L	1500 Lm								MB Matte Black	
	20L	2000 Lm								SG ⁸ Semi-Diffuse	
										HZ ⁹ Haze Full Diffuse	
		PT Platinum									
		BZ Bronze									
		CH Charcoal									
		AS Anodic Sapphire									
		AM Anodic Malachite									
		SN Sun Gold									
		CO Copper Metallic									
		GH Graphite									
		AMB Anti Microbial Finish									
		CC ² Custom Color									

EXAMPLE: SDFO4LEDLU20L80CMXMDDU1H12/SD4FLUMWSOX

NOTES:
 1 Peak Source Lumens 2 Contact Factory for Additional Options 3 Refer to CMX Controls Page 4 Contact Factory 5 Standard Bar Hangers 6 "F" Indicates Self-Flange Trim, Matte White Standard 7 Standard Finish
 8 Anodized Reflector with Matte White Flange 9 Contact Factory for Special Finishes 10 Consult Factory for Special Lenses/Louvers 11 Flange and Reflector Same Finish 12 Standard Lens



PROJECT: _____
 TYPE: _____



Dimensions and values shown are nominal. Spectrum Lighting continually works to improve products and reserves the right to make changes which may alter the performance or appearance of products.

4" SQUARE DOWNLIGHT TUNABLE COLOR (HUE) LU SERIES / CTM OPTIONS

recessed
fixtures



DU1 / DU2 - Fixture can be operated by the following 3 methods (Does Not Require DCA).

1. Use araya app. option for wireless control of dimming and color tuning. (See Figure 3)
2. Use with 0-10V controller and araya app. to control dimming and using color. (See Figure 4)
3. Use with (2) sets of 0-10V controllers and araya app. to activate sceneset feature or change CCT levoks. (See figure 5 &5B)

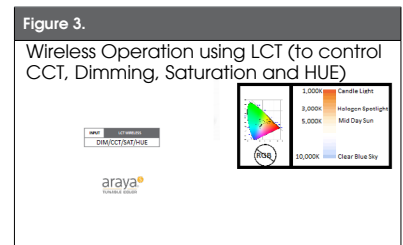
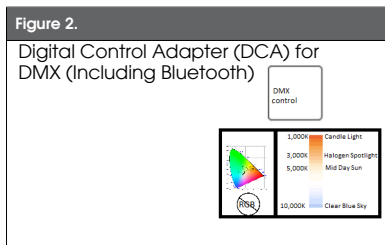
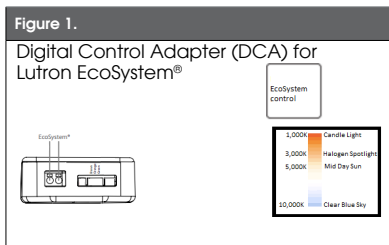
DL3E1 / DL3E2 - For control of dimming and color tuning with EcoSystem controller (Supplied by Lutron) Fixture supplied with DCA¹. (See Figure 1)

DMX1 / DMX2 - For control of dimming and color tuning with minimum 4 channel DMX controller (Supplied by Others) Also can be programmed with araya app¹. (See Figure 2 & 2B)

Consult Factory for additional questions and information.

NOTES:

¹ Araya app. can be used to assign DMX addressed with Buetooth app. (iOS Only) (Download by Others)



**Requires araya Tunable Color iOS APP

