



24" PRISMATIC DISC

DISCO SERIES / DLC LISTED



PR2405LEDLX

APPLICATION

24" LX Series high bay for wide area lighting in retail, gyms, and open office areas.

FEATURES

PR2405LX single-stage optical system features smooth wide distribution, 80 CRI minimum. Consult factory for high CRI or special applications. LED module and driver designed for ease of maintenance and replacement.

FINISH

Multi-stage polyester powder-coat process applied by our dedicated paint lines. All exposed materials are chromate pretreated to resist corrosion.

ELECTRONICS

LED module features high brightness white Nichia LEDs, 3-step MacAdam Ellipse binning and CRI 80 minimum. Higher CRI, R9 and custom LED configurations are available; consult factory. Dual voltage 120V/277V drivers standard. LED module is 2 circuit with 2 drivers for multicircuit option as well as safety.

CONSTRUCTION

Housing constructed of spun and formed aluminum to resist corrosion. Die-cast aluminum heat sink. Graphite gasket for optimal thermal management. Refractor made of cast UV stabilized acrylic.

CODE COMPLIANCE

BAA compliant. ETL certified to meet US and Canadian standards. Suitable for dry or damp locations. Manufactured and tested to UL standards No. 1598/8750. Refer to designlights.org/search/ for most up-to-date list.

RATED LIFE

Tested in accordance to LM79-2008 and derived from EPA TM-21 calculator. Reported hours per TM-21/LM80 6x's limitation.

L70: >50,000 hours

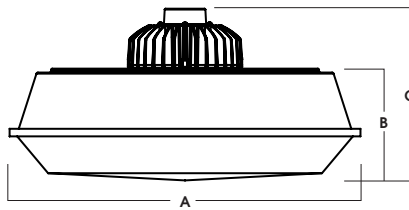
L90: >50,000 hours

DLC LISTING

PR2405LEDLX130L35KEX/XX

PR2405LEDLX130L35KDS10X/XX

PR2405LEDLX130L35KDO10X/XX



A	B	C
22.5 571.5 mm	7.2 181.8 mm	11.0 279.3 mm

LUMENS / WATTAGE DATA				
PART NUMBER	SOURCE LUMENS ¹	DELIVERED LUMENS ²	SYSTEM WATTS	LPW
PR2405LEDLX130L	13000	10402	101	103

SERIES	LUMENS ¹	CCT	DRIVER / DIMMING ³	OPTIONS ⁴	MOUNTING ⁵	FINISH ⁸
PR2405LEDLX	130L 13000 Lm	35K 3500K	EX Electronic Driver, 120V/277V DS10X 10% 0-10V, 120V/277V DO10X 1% 0-10V, 120V/277V	FS Fusing SCI Safety Cable	CP113 ⁶ Driver Compartment with Leads HM ⁷ Hang-Straight AT ⁷ Hang Straight All Thread PM ⁷ Rigid Pendant Mount CD3X ⁷ 3 Cable Mount with Cord	MW ⁹ Matte White MB ⁹ Matte Black PT ⁹ Platinum Silver TW Textured White TB Textured Black MT Textured Silver BZ Bronze CH Charcoal GH Graphite AC Champagne SN Sun Gold BR Brecchia Rust AN Anodic Natural CO Copper Metallic CC Custom Color

EXAMPLE: PR2405LEDLX130L35KEX/CP113PM36MW

NOTES:
 1 Nominal Source Lumens at 35K 2 Nominal Delivered Lumens 35K at 80 CRI 3 Contact Factory for Additional Options 4 See Product Options Page for Details 5 See Mounting Page for Details on Components and Finishes
 6 CP113 Required 7 Specify Length in Inches: See Mounting Page for Available Lengths 8 See Color Page for More Options / Consult Factory for Special Finishes 9 Standard Finishes



PROJECT: _____
 TYPE: _____



Dimensions and values shown are nominal. Spectrum Lighting continually works to improve products and reserves the right to make changes which may alter the performance or appearance of products.

24" PRISMATIC DISC

DISCO SERIES / FIXTURE OPTIONS



STANDARD FINISHES

MW
MATTE WHITE



MB
MATTE BLACK

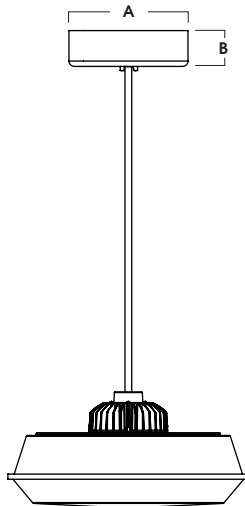


PT
PLATINUM SILVER



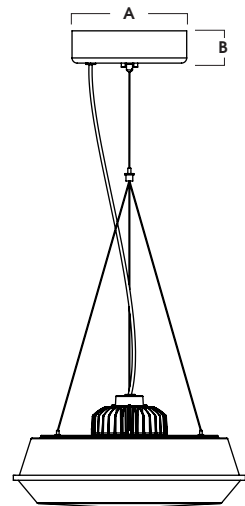
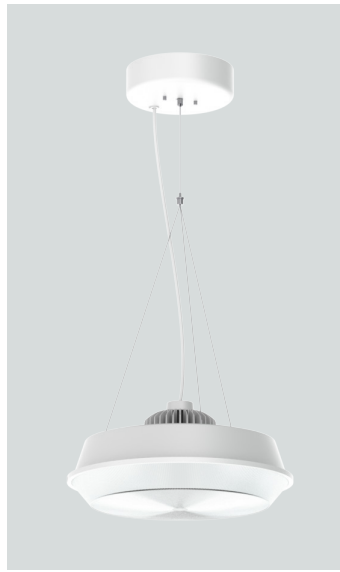
MOUNTING TYPES

HM / AT / PM
HANG STRAIGHT / ALL THREAD / PENDANT



A	B
11.1	3.3
281.9 mm	84.8 mm

CD3X
3X CORD / CABLE MOUNT



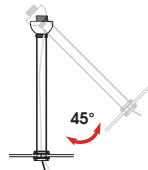
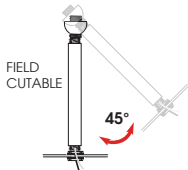
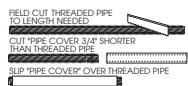

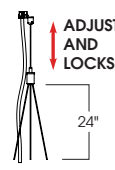
A	B
11.1	3.3
281.9 mm	84.8 mm

MOUNTING & ACCESSORIES

SOME OPTIONS NOT AVAILABLE ON ALL FIXTURES, CONSULT SPECIFICATION SHEETS. SEE INDIVIDUAL SPECIFICATION SHEETS OR CONSULT FACTORY FOR ADDITIONAL INFORMATION. NOTE: THIS IS TYPICAL OF LUMEN MAX SPECIFICATION FOR PENDANT MOUNTING. INDIVIDUAL FIXTURES OR PROJECTS MAY HAVE SPECIALIZED REQUIREMENTS.



MOUNTING TYPES

<p>HM* HANG STRAIGHT 45° SWIVEL 1/2" STEM - 3/8" NPT</p>  <p>ORDER: HM (Length) SPECIFY LENGTH: HM3 - 3" HM24 - 24" HM6 - 6" HM36 - 36" HM12 - 12" HM48 - 48" HM18 - 18" HM72 - 72" HMLC(XX) Custom Length (Specify in Inches)</p>	<p>AT** HANG STRAIGHT ALL THREAD 45° SWIVEL 1/2" STEM - 1/4" IP</p> <p>FIELD CUTABLE</p>  <p>ORDER: AT (Length) SPECIFY LENGTH: AT12 - 12" AT24 - 24" AT36 - 36" ATLC(XX) Custom Length (Specify in Inches)</p>  <p>FIELD CUT: THREADED PIPE TO LENGTH NEEDED CUT PIPE COVER 3/4" SHORTER THAN THREADED PIPE SLIP PIPE COVER OVER THREADED PIPE</p>	<p>PM* RIGID PENDANT MOUNT RIGID 1/2" STEM - 3/8" NPT</p>  <p>ORDER: PM (Length) SPECIFY LENGTH: PM3 - 3" PM24 - 24" PM6 - 6" PM36 - 36" PM12 - 12" PM48 - 48" PM18 - 18" PM72 - 72" PMLC(XX) Custom Length (Specify in Inches)</p>	<p>CD3X CORD / CABLE MOUNT SJ CORD WITH 1/16 SS CABLE</p>  <p>ORDER: CDX3 (Length) SPECIFY LENGTH: CD3X36 - 36" CD3X72 - 72" CD3X144 - 144" CDLC3X(XX) Custom Length (Specify in Inches)</p>
------------------------------------------------------------------------------------------------------------------------------------------------------------------------------------------------------------------------------------------------------------------------------------------------------------------------------------------------------------------------------------------------------------------------------------------------------	-------------------------------------------------------------------------------------------------------------------------------------------------------------------------------------------------------------------------------------------------------------------------------------------------------------------------------------------------------------------------------------------------------------------------------------------------------------------------------------------------------------------------------------------------------------------------------------------------------------	-------------------------------------------------------------------------------------------------------------------------------------------------------------------------------------------------------------------------------------------------------------------------------------------------------------------------------------------------------------------------------------------------------------------------------------------------------	---------------------------------------------------------------------------------------------------------------------------------------------------------------------------------------------------------------------------------------------------------------------------------------------------------------------------------------------------------------

*MAXIMUM ONE PIECE STEM LENGTH IS 72". **MAXIMUM ONE PIECE STEM LENGTH IS 36". LONGER LENGTHS ARE POSSIBLE USING MULTIPLE STEMS AND COUPLERS.

MOUNTING FINISH

<p>Standard Canopy / Stem or Cord mounting finish is matte white. Black fixtures receive matte black mounting finish, silver fixture receive silver mounting finish. Custom colors for canopy and stem are available upon request.</p>	<p>FIXTURE COLOR</p>	<p>CANOPY / STEM / CORD COLOR</p>
	<p>Matte White, Textured White</p>	<p>Matte White</p>
	<p>Matte Black, Textured Black, Bronze, Oil Rubbed Bronze, Graphite</p>	<p>Matte Black</p>
	<p>Platinum, Textured Silver, Silver</p>	<p>Silver</p>
	<p>All Others</p>	<p>Matte White</p>
	<p>Custom Color</p>	<p>Canopy / Stem Same Color as Fixture</p>

ADDITIONS

FS - FUSING

Slow blow type fuse protects fixture against voltage surges. Factory installed.



SAFETY CABLE OPTIONS

SC1 - SAFETY CABLE

1/16" stainless steel safety cable for added support. Standard kit is 18" and double barrel locks are provided. Approved for California seismic requirements. Rated at 50 lbs.



SC2 - SAFETY CABLE

1/16" Stainless steel cable holds door to fixture

