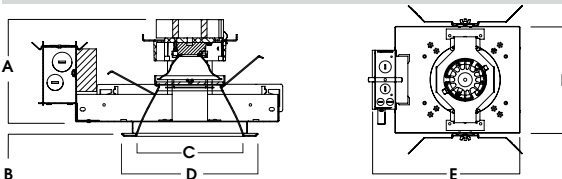
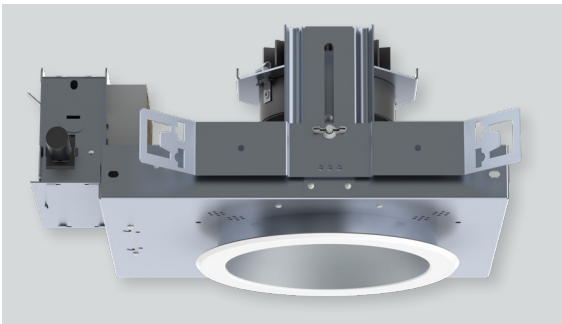
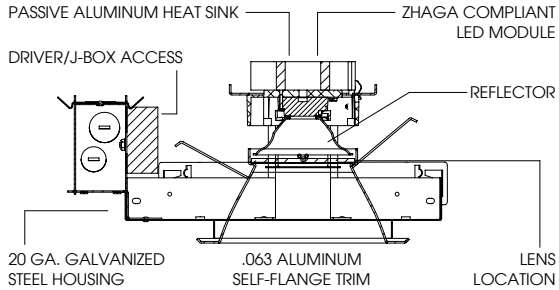




8" ROUND DOWNLIGHT XT SERIES / 5000 LUMENS MAX



A	B	C	D	E	F
10L-20L: 6.2	.625	8.0	9.5	14.0	12.0
30L-50L: 7.2	15.2 mm	203.2 mm	241.3 mm	355.6 mm	304.8 mm

RDFO8XT - TRIM FLANGE / NON-IC RATED

APPLICATION

Versatile 8" Round aperture recessed LED downlight with a wide range of lumens and optical controls.

FEATURES

Two-stage optical system for smooth light distribution and focus control. Quick change LED module with interchangeable optics for job site adjustment and fixture maintenance. Shallow plenum design. Tool-less driver and j-box access. Posi-lock trim retention torsion springs.

TRIM FINISH

A variety of architectural powdercoat and anodized finishes are available. Matte White flange is standard.

ELECTRONICS

LED system features Xicato LED module with proprietary phosphor technology that provides consistent, stable color with CCT control of +/- 100K over life of the light engine. Base CRI is 83 with 2-step MacAdam Ellipse binning. High CRI is 98 with 1x2-step MacAdam Ellipse binning. Variety of electronic 120V/277V and dimming drivers.

CONSTRUCTION

Housing/frame constructed of #20 ga. galvanized steel to resist corrosion. Self-Flanged one piece trim spun from 0.063" thick high purity aluminum and finished to specification.

CODE COMPLIANCE

BAA Compliant. Non-IC rated. ETL certified to meet US and Canadian standards. Suitable for dry or damp locations. Optional Wet location. Manufactured and tested to UL standards No. 1598/8750.

WATTAGE / LUMENS DATA		
PART NUMBER	SOURCE LUMENS ¹	SYSTEM WATTS
RDFO8XT10L	1000	11.1
RDFO8XT13L	1300	15.0
RDFO8XT20L	2000	23.7
RDFO8XT30L	3000	34.6
RDFO8XT40L	4000	39.9
RDFO8XT50L	5000	54.0

SERIES	LUMENS ¹	CCT	OPTICS	DRIVER / DIMMING / VOLTAGE ³	OPTIONS ⁶	TRIM	FINISH	TRIM OPTIONS ¹²					
RDFO8XT	83 CRI		XN ² 10°	E_ Electronic Driver	1 120V 2 277V	BH27 ⁷ 27" Solid Bars H12 12" - 24" Expandable Bars H06 6" - 12" Expandable Bars CB24 24" C-Channel Bars EM Integral Emergency Battery FS Fusing EB Black Housing CR Corrosion Resistant PR ⁸ Deep Ceiling Extension GR Goof Ring AMB Anti Microbial Finish	RD8FXT ⁹	SG ¹⁰ Semi-Diffuse HZ Haze Full Diffuse MW Matte White MB Matte Black PT Platinum Silver OB Oil Rubbed Bronze CH Charcoal AC Anodic Champagne AS Anodic Sapphire AM Anodic Malachite SN Sun Gold CO Copper Metallic GH Graphite AMB Anti Microbial Finish CC ¹¹ Custom Color	SOX ¹³ Micro Prism Soliite™ Lens GLX ¹⁴ Clear Glass Lens PGX Prismatic Glass Lens FGX Frosted Glass Lens SOW Micro Prism Soliite™ Lens GLW Clear Glass Lens PGW Prismatic Glass Lens FGW Frosted Glass Lens PF ¹⁵ Polished Flange				
	10L	1000 Lm								27K	2700K	ND 27°	DS10_ 10% 0-10V
	13L	1300 Lm								30K	3000K	MD 45°	DO10_ 1% 0-10V
	20L	2000 Lm								35K	3500K	WD 50°	DS2W1 1%, ELV/MLV, 120V
	30L	3000 Lm								40K	4000K	XW 55°	DLTE1 ⁴ 1% Lutron® 2-Wire Forward Phase, 120V
	40L	4000 Lm											DL3E ⁴ 1% Lutron® EcoSystem®, Fade
	98 CRI					EL10_ 1%, eldoLED							
	10L	1000 Lm	27HK	2700K		ED01_ 0.1%, eldoLED							
	13L	1300 Lm	30HK	3000K		DALI_ DALI Control							
	20L	2000 Lm	35HK	3500K		DMXS ⁵ DMX Standard Configuration							
	30L	3000 Lm	40HK	4000K		DMXC ⁵ DMX Non-Standard Custom							

EXAMPLE: RDFO8XT13L35KMDE1BH27/RD8FXTSGSOX

NOTES:
 1 Nominal Source Lumens at any CCT 2 XN 13L Max at 83 and 98 CRI 3 Contact Factory for Additional Options 4 50L Not Available with Lutron Drivers 5 Contact Factory 6 See Product Options Page for Details
 7 Standard Bar Hangers 8 Contact Factory 9 "F" Indicates Self-Flange Trim, Matte White Standard 10 Standard Finish 11 Contact Factory for Special Finishes 12 Contact factory for Special Lens/Louvers
 13 Standard Lens for MD, WD, XW 14 Standard Lens for XN and ND 15 Flange and Reflector Same Finish



PROJECT: _____
 TYPE: _____



Dimensions and values shown are nominal. Spectrum Lighting continually works to improve products and reserves the right to make changes which may alter the performance or appearance of products.