



SUBWAY SERIES
INCANDESCENT
 BULKHEAD SERIES

PROJECT: _____

QUANTITY: _____ TYPE: _____



WJ2INC
 RD - Red Baron

SERIES	ACCESSORIES ¹	MOUNTING ³	FINISH ⁵	WET KIT
WJ2INC	ENCLOSURES	WM ⁴ Wall Mount	MW ⁶ Matte White MB ⁶ Matte Black PT ⁶ Platinum Silver CC Custom Color	WLKA Wet Location Kit
	FJ2 ² 4"x8" Frosted Glass GJ2 4"x8" Clear Glass WG2 Wire Guard		See Page 3 for Full Range of Color Options (83-90083)	

EXAMPLE: WJ2INC/FJ2/WM/MW

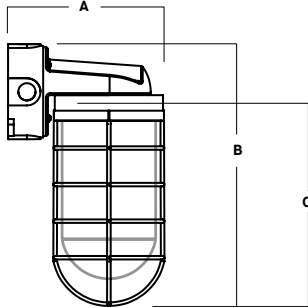
NOTES:
 1 See Enclosures & Guards Page for Wire Guards and Additional Options 2 Standard Enclosure 3 See Mounting Pages Options and Details on Components and Finishes
 4 Uses Wall Mounted Junction Box 5 See Color Page for More Options/Consult Factory for Special Finishes 6 Standard Interior Finish





WALLASTON SERIES
INCANDESCENT
 SUBWAY LINE

HOUSING DIMENSIONS



A	B	C
7.3	12.2	10.0
185.4 mm	309.9 mm	254.0 mm

APPLICATION

The LED Bulkhead Series offers rugged design.

FEATURES

Spectrum Lighting's RLM Classics are inspired by vintage lighting fixtures redesigned with modern LED light sources and materials. The wide range of options for illumination, mounting, enclosures, guards and finishes allows for creative fixture specification and design. Frosted lamp enclosure (FJ2) is standard. A variety of colored lamp enclosures are available as well as guards and light shields. LED module and driver are serviceable for future replacement.

FINISH

Multi-stage polyester powder-coat process applied on our dedicated paint lines. Variety of standard and custom finishes are available. All exposed materials are chromate pretreated to resist corrosion.

ELECTRONICS

E26 Edison medium base 120V socket for incandescent or LED lamps.

CONSTRUCTION

Fixture is constructed of die-cast heavy gauge aluminum.

CODE COMPLIANCE

BAA compliant. ETL certified to meet US and Canadian standards. Suitable for dry or damp locations. Wet Location Option. Manufactured and tested to UL standards No. 1598/8750.

COLOR OPTIONS - POWDER COAT PAINT FINISHES

NOTE: NO PRINTED IMAGE CAN EQUAL THE EXACT COLOR OF FINISH ON METAL.
SEE INDIVIDUAL SPECIFICATION SHEETS OR CONSULT FACTORY FOR ADDITIONAL INFORMATION.



STANDARD CORD / STEM / CANOPY FINISHES

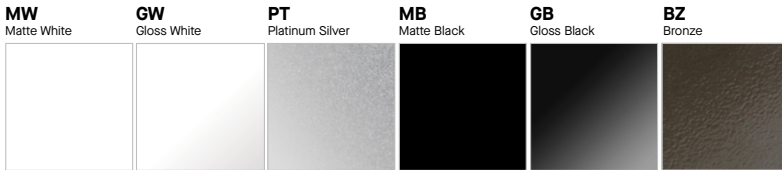
FIXTURE COLOR	STANDARD CORD COLOR	STANDARD CANOPY / STEM COLOR
Matte White, Textured White	Matte White	Matte White
Gloss White	Matte White	Gloss White
Matte Black, Gloss Black, Textured Black	Matte Black	Matte Black
All Others	Matte Black	Same Color as Fixture
Custom Color	Contact Factory	Contact Factory

PAINT TIMES

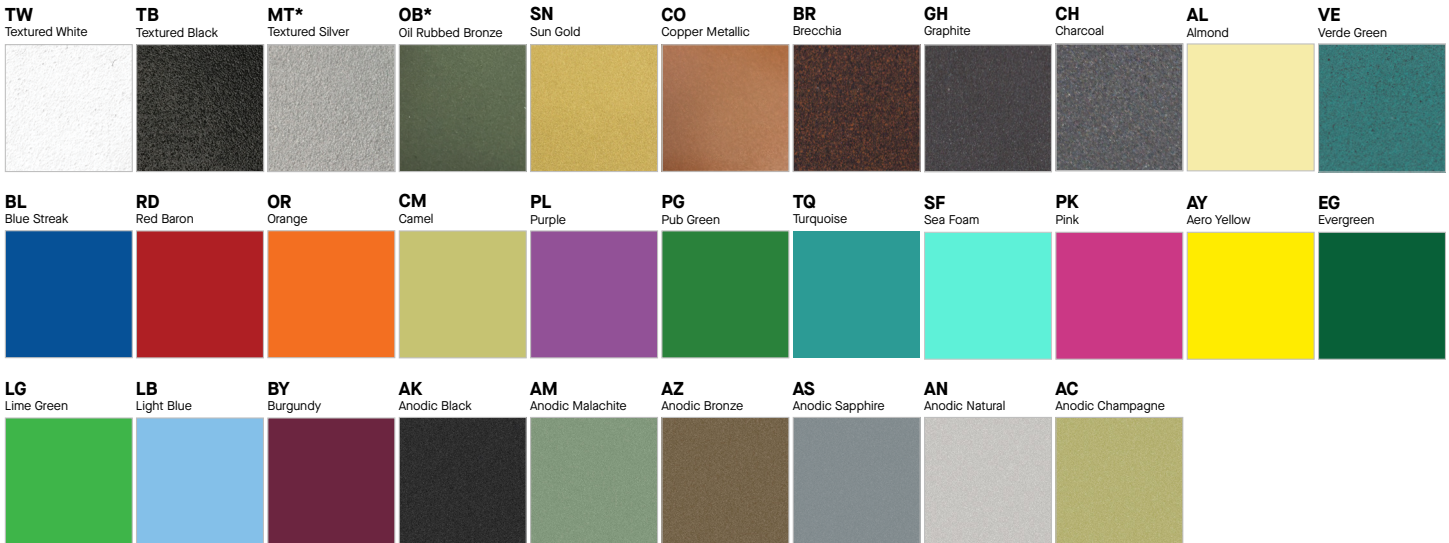
TIER	COST	AVERAGE PAINT TIME*
Tier 1 - Standard Finishes	\$	⓪
Tier 2 - Typical Finishes	\$\$	⓪⓪
Tier 3 - Special Metal Finishes	\$\$\$	⓪⓪⓪
Custom Color	Contact Factory	Contact Factory

*CONTACT FACTORY FOR SPECIFIC PRODUCT LEAD TIMES

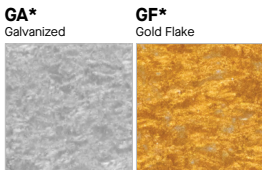
TIER 1 - STANDARD FINISHES



TIER 2 - TYPICAL FINISHES



TIER 3 - SPECIAL METAL FINISHES



CUSTOM COLOR FINISHES

CONTACT FACTORY

CC
Custom Color



*UNAVAILABLE FOR WET LOCATION