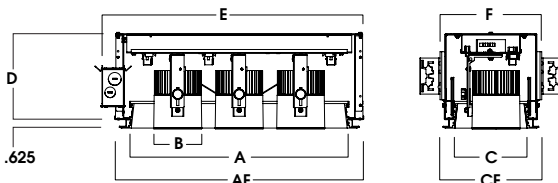
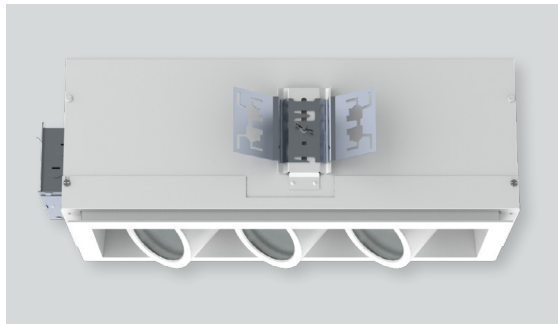
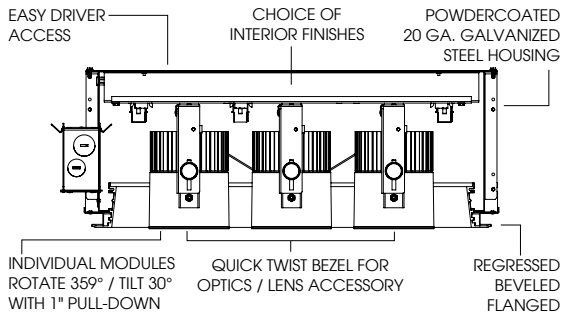


multiple series



# 6" MODULAR ACCENT LIGHT REGRESSED BEVELED FLANGED

XT LED SERIES / MULTI-MODULE / 4 x 5000 LUMENS



RC618RT3LEDXT Shown with Regressed Beveled Flanged - Modules Spaced 5.1" O.C.

#OF MODULES	APERTURE					H	L	W	CUTOUT
	A	AF	B	C	CF				
1	6.0	8.0	4.0	6.0	8.0	7.1	10.2	8.5	7.3" x 7.3"
2	12.0	14.0	4.0	6.0	8.0	7.1	15.8	8.5	7.3" x 13.3"
3	18.0	20.0	4.0	6.0	8.0	7.1	21.8	8.5	7.3" x 19.3"
4	24.0	26.0	4.0	6.0	8.0	7.1	27.8	8.5	7.3" x 25.3"

## RC6-RT4LEDXT - REGRESSED BEVELED FLANGED / NON-IC RATED APPLICATION

RC series modular fixture for retail, residential and commercial accent lighting.

### FEATURES

Regressed Beveled Flanged for clean finished appearance. Fixture available with 1-4 modules. Fixture modules rotate 359°, lock and tilt to 30° with 1" pull-down for optimal aiming. Easy driver and j-box access. Multi-bar adjustable mounting brackets. Posi-lock trim attachment. Front loading lamp bezel accepts up to two lens/louver options.

### TRIM FINISH

A variety of architectural powdercoat finishes for interior of fixture and trim are available.

### ELECTRONICS

LED system features Xicato LED module with proprietary phosphor technology that provides consistent stable color with CCT control of +/- 100K over life of the light engine. Base CRI is 83 with 2-step MacAdam Ellipse binning. High CRI is 98 with 1 x 2-step MacAdam Ellipse binning. Variety of electronic 120V/277V and dimming drivers.

### CONSTRUCTION

Housing constructed of #20 ga. galvanized steel and powdercoated to resist corrosion. Trim fabricated from aluminum extrusion and finished to specification.

### CODE COMPLIANCE

BAA Compliant. Non-IC rated. ETL certified to meet US and Canadian standards. Suitable for dry or damp locations. Manufactured and tested to UL standards No. 1598/8750.

LUMENS / WATTAGE DATA PER MODULE				
PART NUMBER	SOURCE LUMENS <sup>1</sup>	DELIVERED LUMENS <sup>2</sup>	SYSTEM WATTS <sup>3</sup>	LPW
RC66RT4LEDXT10L	1000	864	11.1	78
RC66RT4LEDXT13L	1300	1164	15.0	78
RC66RT4LEDXT20L	2000	1791	23.7	76
RC66RT4LEDXT30L	3000	2687	34.6	78
RC66RT4LEDXT40L	4000	3448	39.9	86
RC66RT4LEDXT50L	5000	4478	54.0	83

Note: 98 CRI (Artist) each operates at higher wattage than 83 CRI, in order to have equivalent source lumens, comparatively, as listed below.

SERIES	LUMENS <sup>1</sup>	CCT	BEAM	DRIVER / VOLTAGE <sup>7</sup>	OPTIONS <sup>9</sup>	INTERIOR	TRIM <sup>12</sup>	FINISHES <sup>13</sup>		
RC66RT4 1 Module	LEDXT10L	1000 Lm	83 CRI	XN <sup>6</sup> 10° ND 26° MD 48° WD 60°	E Electronic Driver DS10_ 10% 0-10V DO10_ 1% 0-10V DS2W1 1%, ELV/MLV, 120V DLTE1 <sup>8</sup> 1%, Lutron <sup>®</sup> 2-Wire Forward Phase, 120V DL3E_ <sup>9</sup> 1%, Lutron <sup>®</sup> EcoSystem <sup>®</sup> Fade EL10_ 1%, eldoLED ED01_ 0.1%, eldoLED DALI_ DALI Control	1 120V 2 277V	LENS SO35 Solite Diffusion GL35 Clear FG35 Frosted SK35 Linear HL35 Hex Louver SN35 Snoot LN35 <sup>10</sup> Color Lens	MWI White MBI Black PTI Platinum BZI Bronze CCI Custom Color		
	LEDXT13L	1300 Lm	27K 2700K						RT266 6" x 6"	MW <sup>14</sup> Matte White MB <sup>14</sup> Matte Black PT <sup>14</sup> Platinum Silver
	LEDXT20L	2000 Lm	30K 3000K						RT2612 6" x 12"	BZ Bronze CH Charcoal GH Graphite
RC612RT4 2 Modules	LEDXT30L <sup>4</sup>	3000 Lm	35K 3500K	98 CRI ARTIST <sup>5</sup> 27HK 2700K 30HK 3000K 35HK 3500K 40HK 4000K	RT2618 6" x 18"	SN Sun Gold AC Champagne AN Anodic Natural CN Caramel WF Matte White Flange CC Custom Color				
	LEDXT40L <sup>4</sup>	4000 Lm	40K 4000K				RT2624 6" x 24"			
RC618RT4 3 Modules	LEDXT50L <sup>4</sup>	5000 Lm								
RC624RT4 4 Modules										

EXAMPLE: RC624RT4LEDXT10L27KMD1/CB24/MWI/RT2624/MW

#### NOTES:

1 Nominal Source Lumens at Any CCT - Per Module 2 Nominal Delivered Lumens 83 CRI at Any CCT with ND, No Lens - Per Module 3 One Module Including Thermal Protector for Fixture, 83 CRI 4 Requires Active Cooling, Account for 1 Watt Per Module 5 30L Max 6 9mm, 13L Max, All XN Draw More Watts Than Other Optics; See Photometry 7 Contact Factory for Additional Options 8 50L Not Available with Lutron Drivers 9 See Product Options Page for Details 10 See Lens Options Page for Details 11 Contact Factory 12 Inside Trim And Flange Will Match Color Specified 13 See Color Page for More Options/Consult Factory for Special Finishes 14 Standard Finishes



PROJECT: \_\_\_\_\_  
TYPE: \_\_\_\_\_



Dimensions and values shown are nominal. Spectrum Lighting continually works to improve products and reserves the right to make changes which may alter the performance or appearance of products.