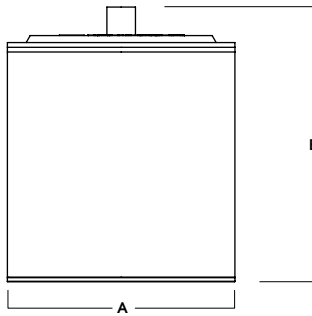


6" ROUND DIRECT WILDLIFE FRIENDLY



A	B
6.1 154.9 mm	7.3 185.4 mm

CW0606 - CEILING MOUNT

APPLICATION

6" round x 6" high cylinder luminaire for general illumination. Meets Florida Fish and Wildlife Conservation Commission's Certified Wildlife Lighting. International Dark-Sky Association approved fixture.

FEATURES

Full shielding and option for Static Amber 560 NM or Dual Circuit 3000K 560 NM. Rugged design with a variety of options. Two stage optical system design delivers smooth general illumination.

FINISH

Durable powder-coat paint over aluminum fixture to resist corrosion.

ELECTRONICS

Single circuit, amber only option is available. Amber LEDs are monochromatic, narrow spectral bandwidth that only emit long wavelengths >560 nm and <625 nm. Proprietary 2-circuit LED system: Circuit 1 is 3000K at 1000 lumens, Circuit 2 is Amber only at 500 lumens. 3000K white light is 3-step MacAdam Ellipse binning, with 80+ CRI.

CONSTRUCTION

Extruded seamless aluminum fixture housing. Stainless steel hardware with galvanized steel brackets to resist corrosion. One piece reflector trim and finished to specification.

CODE COMPLIANCE

BAA compliant. ETL certified to meet US and Canadian standards. Suitable for wet locations. Manufactured and tested to UL standards No. 1598/8750.

LUMENS / WATTAGE DATA				
PART NUMBER	SOURCE LUMENS ¹	DELIVERED LUMENS ²	SYSTEM WATTS	LPW
CW0606TA5L	500	305	15	20
CW0606TD10L	1000	801	16	50

SERIES	LUMENS ¹	CCT	DRIVER / DIMMING ⁴	TRIM	MOUNTING	FINISH ⁸		
CW0606	AMBER ONLY		DX 1%, 0-10V, 120V/277V DS2W1 ELV / MLV, 120V	LENS		CEILING MOUNT HM ^{5/6/7} Hang Straight PM ^{6/6} Rigid Pendant Mount SM Surface Mount	MW ⁹ Matte White MB ⁹ Matte Black PT ⁹ Platinum Silver CC ⁹ Custom Color See Page 7 for Full Range of Color Options (83-90165)	
	TA5L	500 Lm Amber Only		AMB	>560 NM			SO Micro Prism Solite™ Lens GL Clear Glass Lens FG Frosted Glass Lens
	DUAL CIRCUIT ³							
	TD10L	CIR 1 1000 Lm at 3000K CIR 2 500 Lm Amber Only	30K	3000K				

EXAMPLE: CW0606TA5LAMBDX/GL/PM36/MW

EXAMPLE: CW0606TD10L30KDX/GL/PM36/MW

NOTES:

1 Nominal Source Lumens 2 Nominal Delivered Lumens at EX GL MW 3 TD/Dual Circuit Option Requires Dedicated On Site Controls by Others, Controls by Others Are Not to Allow Both Circuits to be Energized Simultaneously, Consult Factory for More Information 4 Contact Factory for Additional Options 5 Specify Length in Inches: See Mounting Page for Available Lengths 6 Intended for Outdoor Covered Ceiling Applications Only 7 Not for Use in Locations with Wind Exposure 8 See Color Page for More Options/Consult Factory for Special Finishes 9 Standard Finishes



PROJECT: _____
TYPE: _____



Dimensions and values shown are nominal. Spectrum Lighting continually works to improve products and reserves the right to make changes which may alter the performance or appearance of products.

6" ROUND DIRECT

WILDLIFE FRIENDLY / FIXTURE OPTIONS

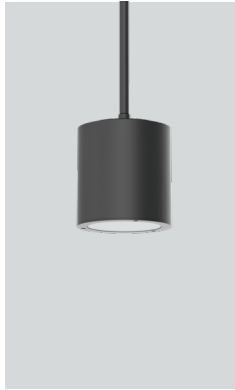


STANDARD FINISHES

MW
MATTE WHITE



MB
MATTE BLACK

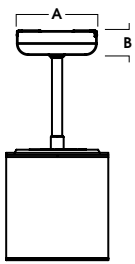


PT
PLATINUM SILVER



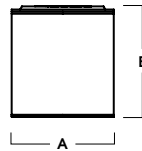
MOUNTING TYPES

HM / PM
HANG STRAIGHT / PENDANT



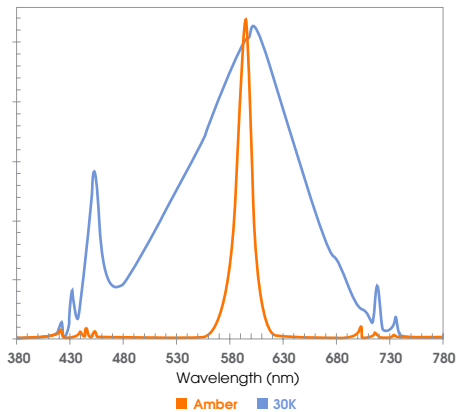
A	B
5.0	1.5
127.0 mm	38.1 mm

SM
SURFACE MOUNT



A	B
6.1	6.6
154.9 mm	167.6 mm

SPECTRAL POWER DISTRIBUTION COMPARISON

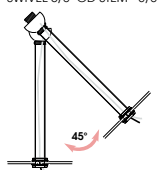
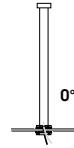

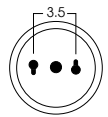


STANDARD MOUNTING & ACCESSORIES

SOME OPTIONS NOT AVAILABLE ON ALL FIXTURES. CONSULT SPECIFICATION SHEETS. SEE INDIVIDUAL SPECIFICATION SHEETS OR CONSULT FACTORY FOR ADDITIONAL INFORMATION. NOTE: THIS IS TYPICAL OF CYLINDERS SPECIFICATION FOR PENDANT MOUNTING. INDIVIDUAL FIXTURES OR PROJECTS MAY HAVE SPECIALIZED REQUIREMENTS.



MOUNTING TYPES

<p>HM* HANG STRAIGHT 45° SWIVEL 5/8" OD STEM - 3/8" IP</p>  <p>ORDER: HM (Length) SPECIFY LENGTH: HM3 - 3" HM24 - 24" HM6 - 6" HM36 - 36" HM12 - 12" HM48 - 48" HM18 - 18" HM72 - 72" HMLC(XX) Custom Length (Specify in Inches)</p>	<p>PM* RIGID PENDANT MOUNT RIGID 5/8" OD STEM - 3/8" IP</p>  <p>ORDER: PM (Length) SPECIFY LENGTH: PM3 - 3" PM24 - 24" PM6 - 6" PM36 - 36" PM12 - 12" PM48 - 48" PM18 - 18" PM72 - 72" PMLC(XX) Custom Length (Specify in Inches)</p>	<p>SM SURFACE MOUNT</p>  <p>ORDER: SM</p>  <p>TOP VIEW CANOPY</p> <p>KEY SLOTS MOUNT CANOPY TO WALL JUNCTION BOX. JUNCTION BOX IS COVERED.</p>
--	---	--

*MAXIMUM ONE PIECE STEM LENGTH IS 72".
LONGER LENGTHS ARE POSSIBLE USING MULTIPLE STEMS AND COUPLERS.



6" ROUND DIRECT

WILDLIFE FRIENDLY / PHOTOMETRIC DATA



CW0606TA-05L-AMB-EX-SO-MW

CANDLEPOWER CURVE	INTENSITY	ZONAL LUMENS	SINGLE UNIT: PERFORMANCE INITIAL FOOTCANDLES BASED ON IES BEAM ANGLE	MULTIPLE UNITS: PERFORMANCE 80/50/20% REFLECTANCES INITIAL FOOTCANDLES AND WATTS PER SQUARE FOOT								
	0.00°											
	0.00° 148	0° - 10° 14 5%	Mounting Height AFF	FC at Center on Floor	Beam Diameter	FC at Beam Edge	Ceiling Height	Fixture Spacing	RCR 2		RCR 4	
	5.00° 147	0° - 20° 54 19%	6.50'	4 fc	12.1'	2 fc	9'	6'	FC +	W/Sq. Ft.	FC +	W/Sq. Ft.
	10.00° 144	0° - 30° 118 41%	7.50'	3 fc	14.0'	1 fc	12'	8'	4	0.21	2	0.14
	15.00° 141	0° - 40° 190 66%	8.50'	2 fc	15.8'	1 fc	16'	10'	3	0.14	2	0.14
	20.00° 140	0° - 60° 267 93%	10.00'	1 fc	18.6'	1 fc	Delivered Illuminance Rating: (DIR)		18 FC per W/Sq. Ft.		15 FC per W/Sq. Ft.	
	30.00° 134	0° - 80° 286 99%	12.00'	1 fc	22.4'	0 fc	1' Suspension Length Square rooms used for multiple units: - RCR 2: Length & Width = Ceiling Ht. - 3.5' x 5.00 - RCR 4: Length & Width = Ceiling Ht. - 3.5' x 2.50 * Average Footcandles at 2.5' Above Floor					
	40.00° 91	0° - 90° 287 100%	14.00'	1 fc	26.1'	0 fc						
	50.00° 43	Total 288 100%	16.00'	1 fc	29.8'	0 fc						
	60.00° 21		20.00'	0 fc	37.3'	0 fc						
	70.00° 8						Beam Angle: 85.93 Spacing Ratio: 1.29 Lumen Multiplier: N/A CCT Multiplier: N/A					
	80.00° 2											
	90.00° 1											

Delivered Lumens: 288
Luminaire Watts: 15.3
LER: 18.82

CP at 0deg (Nadir): 148
CRI: N/A, Amber Light

Beam Angle: 85.93
Spacing Ratio: 1.29

Lumen Multiplier: N/A
CCT Multiplier: N/A

CW606TD-10L-30K-EX-SO-MW

CANDLEPOWER CURVE	INTENSITY	ZONAL LUMENS	SINGLE UNIT: PERFORMANCE INITIAL FOOTCANDLES BASED ON IES BEAM ANGLE	MULTIPLE UNITS: PERFORMANCE 80/50/20% REFLECTANCES INITIAL FOOTCANDLES AND WATTS PER SQUARE FOOT								
	0.00°											
	0.00° 365	0° - 10° 35 5%	Mounting Height AFF	FC at Center on Floor	Beam Diameter	FC at Beam Edge	Ceiling Height	Fixture Spacing	RCR 2		RCR 4	
	5.00° 363	0° - 20° 134 20%	6.50'	9 fc	11.9'	4 fc	9'	6'	FC +	W/Sq. Ft.	FC +	W/Sq. Ft.
	10.00° 357	0° - 30° 291 43%	7.50'	6 fc	13.8'	3 fc	12'	8'	9	0.22	5	0.14
	15.00° 352	0° - 40° 466 68%	8.50'	5 fc	15.6'	2 fc	16'	10'	6	0.15	5	0.15
	20.00° 347	0° - 60° 645 94%	10.00'	4 fc	18.4'	2 fc	Delivered Illuminance Rating: (DIR)		41 FC per W/Sq. Ft.		34 FC per W/Sq. Ft.	
	30.00° 328	0° - 80° 682 100%	12.00'	3 fc	22.1'	1 fc	1' Suspension Length Square rooms used for multiple units: - RCR 2: Length & Width = Ceiling Ht. - 3.5' x 5.00 - RCR 4: Length & Width = Ceiling Ht. - 3.5' x 2.50 * Average Footcandles at 2.5' Above Floor					
	40.00° 219	0° - 90° 683 100%	14.00'	2 fc	25.7'	1 fc						
	50.00° 99	Total 683 100%	16.00'	1 fc	29.4'	1 fc						
	60.00° 45		20.00'	1 fc	36.8'	0 fc						
	70.00° 15						Beam Angle: 85.18 Spacing Ratio: 1.27 Lumen Multiplier: only 10L available CCT Multiplier: only 30K available					
	80.00° 3											
	90.00° 1											

Delivered Lumens: 683
Luminaire Watts: 15.9
LER: 42.96

CP at 0deg (Nadir): 365
CRI: 80

Beam Angle: 85.18
Spacing Ratio: 1.27

Lumen Multiplier: only 10L available
CCT Multiplier: only 30K available

6" ROUND DIRECT

WILDLIFE FRIENDLY / PHOTOMETRIC DATA



CW0606TA-05L-AMB-EX-GL-MW

CANDLEPOWER CURVE	INTENSITY	ZONAL LUMENS	SINGLE UNIT: PERFORMANCE INITIAL FOOTCANDLES BASED ON IES BEAM ANGLE	MULTIPLE UNITS: PERFORMANCE 80/50/20% REFLECTANCES INITIAL FOOTCANDLES AND WATTS PER SQUARE FOOT																																									
	0.00°	0° - 10°	14	5%	<table border="1"> <thead> <tr> <th rowspan="2">Ceiling Height</th> <th rowspan="2">Fixture Spacing</th> <th colspan="2">RCR 2</th> <th colspan="2">RCR 4</th> </tr> <tr> <th>FC +</th> <th>W/Sq. Ft.</th> <th>FC +</th> <th>W/Sq. Ft.</th> </tr> </thead> <tbody> <tr> <td>9'</td> <td>6'</td> <td>10</td> <td>0.51</td> <td>5</td> <td>0.32</td> </tr> <tr> <td>12'</td> <td>8'</td> <td>4</td> <td>0.21</td> <td>2</td> <td>0.14</td> </tr> <tr> <td>16'</td> <td>10'</td> <td>3</td> <td>0.14</td> <td>2</td> <td>0.14</td> </tr> <tr> <td colspan="2">Delivered Illuminance Rating: (DIR)</td> <td colspan="2">19 FC per W/Sq. Ft.</td> <td colspan="2">15 FC per W/Sq. Ft.</td> </tr> <tr> <td colspan="6"> 1' Suspension Length Square rooms used for multiple units: - RCR 2: Length & Width = Ceiling Ht. - 3.5' x 5.00 - RCR 4: Length & Width = Ceiling Ht. - 3.5' x 2.50 * Average Footcandles at 2.5' Above Floor </td> </tr> </tbody> </table>	Ceiling Height	Fixture Spacing	RCR 2		RCR 4		FC +	W/Sq. Ft.	FC +	W/Sq. Ft.	9'	6'	10	0.51	5	0.32	12'	8'	4	0.21	2	0.14	16'	10'	3	0.14	2	0.14	Delivered Illuminance Rating: (DIR)		19 FC per W/Sq. Ft.		15 FC per W/Sq. Ft.		1' Suspension Length Square rooms used for multiple units: - RCR 2: Length & Width = Ceiling Ht. - 3.5' x 5.00 - RCR 4: Length & Width = Ceiling Ht. - 3.5' x 2.50 * Average Footcandles at 2.5' Above Floor					
	Ceiling Height	Fixture Spacing	RCR 2					RCR 4																																					
			FC +	W/Sq. Ft.		FC +	W/Sq. Ft.																																						
	9'	6'	10	0.51		5	0.32																																						
	12'	8'	4	0.21		2	0.14																																						
	16'	10'	3	0.14		2	0.14																																						
	Delivered Illuminance Rating: (DIR)		19 FC per W/Sq. Ft.			15 FC per W/Sq. Ft.																																							
	1' Suspension Length Square rooms used for multiple units: - RCR 2: Length & Width = Ceiling Ht. - 3.5' x 5.00 - RCR 4: Length & Width = Ceiling Ht. - 3.5' x 2.50 * Average Footcandles at 2.5' Above Floor																																												
	0.00°	0° - 10°	14	5%																																									
	5.00°	0° - 20°	54	18%																																									
	10.00°	0° - 30°	117	38%																																									
15.00°	0° - 40°	191	63%																																										
20.00°	0° - 60°	275	90%																																										
30.00°	0° - 80°	303	99%																																										
40.00°	0° - 90°	305	100%																																										
50.00°	Total	305	100%																																										
60.00°																																													
70.00°																																													
80.00°																																													
90.00°																																													
Delivered Lumens: 305 Luminaire Watts: 15.3 LER: 19.93	CP at 0deg (Nadir): 151 CRI: N/A, Amber Light	Beam Angle: 87.92 Spacing Ratio: 1.27	Lumen Multiplier: N/A CCT Multiplier: N/A																																										

CW0606TD-10L-30K-EX-GL-MW

CANDLEPOWER CURVE	INTENSITY	ZONAL LUMENS	SINGLE UNIT: PERFORMANCE INITIAL FOOTCANDLES BASED ON IES BEAM ANGLE	MULTIPLE UNITS: PERFORMANCE 80/50/20% REFLECTANCES INITIAL FOOTCANDLES AND WATTS PER SQUARE FOOT																																									
	0.00°	0° - 10°	38	5%	<table border="1"> <thead> <tr> <th rowspan="2">Ceiling Height</th> <th rowspan="2">Fixture Spacing</th> <th colspan="2">RCR 2</th> <th colspan="2">RCR 4</th> </tr> <tr> <th>FC +</th> <th>W/Sq. Ft.</th> <th>FC +</th> <th>W/Sq. Ft.</th> </tr> </thead> <tbody> <tr> <td>9'</td> <td>6'</td> <td>16</td> <td>0.34</td> <td>13</td> <td>0.34</td> </tr> <tr> <td>12'</td> <td>8'</td> <td>11</td> <td>0.22</td> <td>5</td> <td>0.14</td> </tr> <tr> <td>16'</td> <td>10'</td> <td>7</td> <td>0.15</td> <td>6</td> <td>0.15</td> </tr> <tr> <td colspan="2">Delivered Illuminance Rating: (DIR)</td> <td colspan="2">48 FC per W/Sq. Ft.</td> <td colspan="2">39 FC per W/Sq. Ft.</td> </tr> <tr> <td colspan="6"> 1' Suspension Length Square rooms used for multiple units: - RCR 2: Length & Width = Ceiling Ht. - 3.5' x 5.00 - RCR 4: Length & Width = Ceiling Ht. - 3.5' x 2.50 * Average Footcandles at 2.5' Above Floor </td> </tr> </tbody> </table>	Ceiling Height	Fixture Spacing	RCR 2		RCR 4		FC +	W/Sq. Ft.	FC +	W/Sq. Ft.	9'	6'	16	0.34	13	0.34	12'	8'	11	0.22	5	0.14	16'	10'	7	0.15	6	0.15	Delivered Illuminance Rating: (DIR)		48 FC per W/Sq. Ft.		39 FC per W/Sq. Ft.		1' Suspension Length Square rooms used for multiple units: - RCR 2: Length & Width = Ceiling Ht. - 3.5' x 5.00 - RCR 4: Length & Width = Ceiling Ht. - 3.5' x 2.50 * Average Footcandles at 2.5' Above Floor					
	Ceiling Height	Fixture Spacing	RCR 2					RCR 4																																					
			FC +	W/Sq. Ft.		FC +	W/Sq. Ft.																																						
	9'	6'	16	0.34		13	0.34																																						
	12'	8'	11	0.22		5	0.14																																						
	16'	10'	7	0.15		6	0.15																																						
	Delivered Illuminance Rating: (DIR)		48 FC per W/Sq. Ft.			39 FC per W/Sq. Ft.																																							
	1' Suspension Length Square rooms used for multiple units: - RCR 2: Length & Width = Ceiling Ht. - 3.5' x 5.00 - RCR 4: Length & Width = Ceiling Ht. - 3.5' x 2.50 * Average Footcandles at 2.5' Above Floor																																												
	0.00°	0° - 10°	38	5%																																									
	5.00°	0° - 20°	143	18%																																									
	10.00°	0° - 30°	309	39%																																									
15.00°	0° - 40°	507	63%																																										
20.00°	0° - 60°	733	92%																																										
30.00°	0° - 80°	798	100%																																										
40.00°	0° - 90°	801	100%																																										
50.00°	Total	801	100%																																										
60.00°																																													
70.00°																																													
80.00°																																													
90.00°																																													
Delivered Lumens: 801 Luminaire Watts: 15.9 LER: 50.38	CP at 0deg (Nadir): 394 CRI: 80	Beam Angle: 89.41 Spacing Ratio: 1.3	Lumen Multiplier: only 10L available CCT Multiplier: only 30K available																																										

6" ROUND DIRECT

WILDLIFE FRIENDLY / PHOTOMETRIC DATA



CW0606TA-05L-AMB-EX-FG-MW

CANDLEPOWER CURVE	INTENSITY	ZONAL LUMENS	SINGLE UNIT: PERFORMANCE INITIAL FOOTCANDLES BASED ON IES BEAM ANGLE	MULTIPLE UNITS: PERFORMANCE 80/50/20% REFLECTANCES INITIAL FOOTCANDLES AND WATTS PER SQUARE FOOT																																									
	0.00°	0° - 10°	12	5%	<table border="1"> <thead> <tr> <th rowspan="2">Ceiling Height</th> <th rowspan="2">Fixture Spacing</th> <th colspan="2">RCR 2</th> <th colspan="2">RCR 4</th> </tr> <tr> <th>FC +</th> <th>W/Sq. Ft.</th> <th>FC +</th> <th>W/Sq. Ft.</th> </tr> </thead> <tbody> <tr> <td>9'</td> <td>6'</td> <td>8</td> <td>0.51</td> <td>4</td> <td>0.32</td> </tr> <tr> <td>12'</td> <td>8'</td> <td>3</td> <td>0.21</td> <td>4</td> <td>0.30</td> </tr> <tr> <td>16'</td> <td>10'</td> <td>2</td> <td>0.14</td> <td>2</td> <td>0.14</td> </tr> <tr> <td colspan="2">Delivered Illuminance Rating: (DIR)</td> <td colspan="2">15 FC per W/Sq. Ft.</td> <td colspan="2">12 FC per W/Sq. Ft.</td> </tr> <tr> <td colspan="6"> 1' Suspension Length Square rooms used for multiple units: - RCR 2: Length & Width = Ceiling Ht. - 3.5' x 5.00 - RCR 4: Length & Width = Ceiling Ht. - 3.5' x 2.50 * Average Footcandles at 2.5' Above Floor </td> </tr> </tbody> </table>	Ceiling Height	Fixture Spacing	RCR 2		RCR 4		FC +	W/Sq. Ft.	FC +	W/Sq. Ft.	9'	6'	8	0.51	4	0.32	12'	8'	3	0.21	4	0.30	16'	10'	2	0.14	2	0.14	Delivered Illuminance Rating: (DIR)		15 FC per W/Sq. Ft.		12 FC per W/Sq. Ft.		1' Suspension Length Square rooms used for multiple units: - RCR 2: Length & Width = Ceiling Ht. - 3.5' x 5.00 - RCR 4: Length & Width = Ceiling Ht. - 3.5' x 2.50 * Average Footcandles at 2.5' Above Floor					
	Ceiling Height	Fixture Spacing	RCR 2					RCR 4																																					
			FC +	W/Sq. Ft.		FC +	W/Sq. Ft.																																						
	9'	6'	8	0.51		4	0.32																																						
	12'	8'	3	0.21		4	0.30																																						
	16'	10'	2	0.14		2	0.14																																						
	Delivered Illuminance Rating: (DIR)		15 FC per W/Sq. Ft.			12 FC per W/Sq. Ft.																																							
	1' Suspension Length Square rooms used for multiple units: - RCR 2: Length & Width = Ceiling Ht. - 3.5' x 5.00 - RCR 4: Length & Width = Ceiling Ht. - 3.5' x 2.50 * Average Footcandles at 2.5' Above Floor																																												
	0.00° 124	0° - 20°	43	17%		Mounting Height AFF	FC at Center on Floor	Beam Diameter	FC at Beam Edge																																				
	5.00° 123	0° - 30°	89	35%		6.50'	3 fc	12.2'	1 fc																																				
	10.00° 119	0° - 40°	138	55%		7.50'	2 fc	14.0'	1 fc																																				
	15.00° 113	0° - 60°	217	86%		8.50'	2 fc	15.9'	1 fc																																				
	20.00° 106	0° - 80°	249	99%		10.00'	1 fc	18.7'	1 fc																																				
30.00° 90	0° - 90°	252	100%	12.00'	1 fc	22.5'	0 fc																																						
40.00° 69	Total	253	100%	14.00'	1 fc	26.2'	0 fc																																						
50.00° 47				16.00'	0 fc	30.0'	0 fc																																						
60.00° 29				20.00'	0 fc	37.5'	0 fc																																						
70.00° 15																																													
80.00° 5																																													
90.00° 2																																													
Delivered Lumens: 253	CP at 0deg (Nadir): 124	Beam Angle: 86.25	Lumen Multiplier: N/A																																										
Luminaire Watts: 15.3	CR: N/A, Amber Light	Spacing Ratio: 1.09	CCT Multiplier: N/A																																										
LER: 16.54																																													

CW606TD-10L-30K-EX-FG-MW

CANDLEPOWER CURVE	INTENSITY	ZONAL LUMENS	SINGLE UNIT: PERFORMANCE INITIAL FOOTCANDLES BASED ON IES BEAM ANGLE	MULTIPLE UNITS: PERFORMANCE 80/50/20% REFLECTANCES INITIAL FOOTCANDLES AND WATTS PER SQUARE FOOT																																									
	0.00°	0° - 10°	32	5%	<table border="1"> <thead> <tr> <th rowspan="2">Ceiling Height</th> <th rowspan="2">Fixture Spacing</th> <th colspan="2">RCR 2</th> <th colspan="2">RCR 4</th> </tr> <tr> <th>FC +</th> <th>W/Sq. Ft.</th> <th>FC +</th> <th>W/Sq. Ft.</th> </tr> </thead> <tbody> <tr> <td>9'</td> <td>6'</td> <td>21</td> <td>0.53</td> <td>11</td> <td>0.34</td> </tr> <tr> <td>12'</td> <td>8'</td> <td>9</td> <td>0.22</td> <td>10</td> <td>0.32</td> </tr> <tr> <td>16'</td> <td>10'</td> <td>6</td> <td>0.15</td> <td>5</td> <td>0.15</td> </tr> <tr> <td colspan="2">Delivered Illuminance Rating: (DIR)</td> <td colspan="2">39 FC per W/Sq. Ft.</td> <td colspan="2">32 FC per W/Sq. Ft.</td> </tr> <tr> <td colspan="6"> 1' Suspension Length Square rooms used for multiple units: - RCR 2: Length & Width = Ceiling Ht. - 3.5' x 5.00 - RCR 4: Length & Width = Ceiling Ht. - 3.5' x 2.50 * Average Footcandles at 2.5' Above Floor </td> </tr> </tbody> </table>	Ceiling Height	Fixture Spacing	RCR 2		RCR 4		FC +	W/Sq. Ft.	FC +	W/Sq. Ft.	9'	6'	21	0.53	11	0.34	12'	8'	9	0.22	10	0.32	16'	10'	6	0.15	5	0.15	Delivered Illuminance Rating: (DIR)		39 FC per W/Sq. Ft.		32 FC per W/Sq. Ft.		1' Suspension Length Square rooms used for multiple units: - RCR 2: Length & Width = Ceiling Ht. - 3.5' x 5.00 - RCR 4: Length & Width = Ceiling Ht. - 3.5' x 2.50 * Average Footcandles at 2.5' Above Floor					
	Ceiling Height	Fixture Spacing	RCR 2					RCR 4																																					
			FC +	W/Sq. Ft.		FC +	W/Sq. Ft.																																						
	9'	6'	21	0.53		11	0.34																																						
	12'	8'	9	0.22		10	0.32																																						
	16'	10'	6	0.15		5	0.15																																						
	Delivered Illuminance Rating: (DIR)		39 FC per W/Sq. Ft.			32 FC per W/Sq. Ft.																																							
	1' Suspension Length Square rooms used for multiple units: - RCR 2: Length & Width = Ceiling Ht. - 3.5' x 5.00 - RCR 4: Length & Width = Ceiling Ht. - 3.5' x 2.50 * Average Footcandles at 2.5' Above Floor																																												
	0.00° 333	0° - 20°	117	17%		Mounting Height AFF	FC at Center on Floor	Beam Diameter	FC at Beam Edge																																				
	5.00° 329	0° - 30°	239	36%		6.50'	8 fc	12.5'	4 fc																																				
	10.00° 319	0° - 40°	374	56%		7.50'	6 fc	14.4'	3 fc																																				
	15.00° 305	0° - 60°	588	87%		8.50'	5 fc	16.3'	2 fc																																				
	20.00° 286	0° - 80°	668	99%		10.00'	3 fc	19.2'	1 fc																																				
30.00° 242	0° - 90°	672	100%	12.00'	2 fc	23.0'	1 fc																																						
40.00° 189	Total	672	100%	14.00'	2 fc	26.9'	1 fc																																						
50.00° 129				16.00'	1 fc	30.7'	1 fc																																						
60.00° 78				20.00'	1 fc	38.4'	0 fc																																						
70.00° 38																																													
80.00° 10																																													
90.00° 2																																													
Delivered Lumens: 672	CP at 0deg (Nadir): 333	Beam Angle: 87.62	Lumen Multiplier: only 10L available																																										
Luminaire Watts: 15.9	CR: 80	Spacing Ratio: 1.1	CCT Multiplier: only 30K available																																										
LER: 42.26																																													

COLOR OPTIONS - POWDER COAT PAINT FINISHES

NOTE: NO PRINTED IMAGE CAN EQUAL THE EXACT COLOR OF FINISH ON METAL.
SEE INDIVIDUAL SPECIFICATION SHEETS OR CONSULT FACTORY FOR ADDITIONAL INFORMATION.



STANDARD CORD / STEM / CANOPY FINISHES

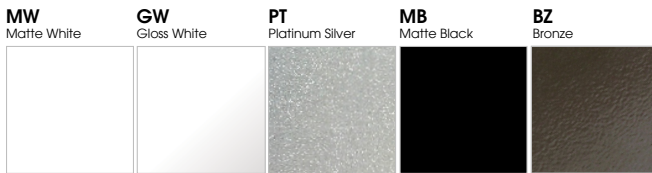
FIXTURE COLOR	STANDARD CORD COLOR	STANDARD CANOPY / STEM COLOR
Matte White, Textured White	Matte White	Matte White
Gloss White	Matte White	Gloss White
Matte Black, Textured Black	Matte Black	Matte Black
All Others	Matte Black	Same Color as Fixture
Custom Color	Contact Factory	Contact Factory

PAINT TIMES

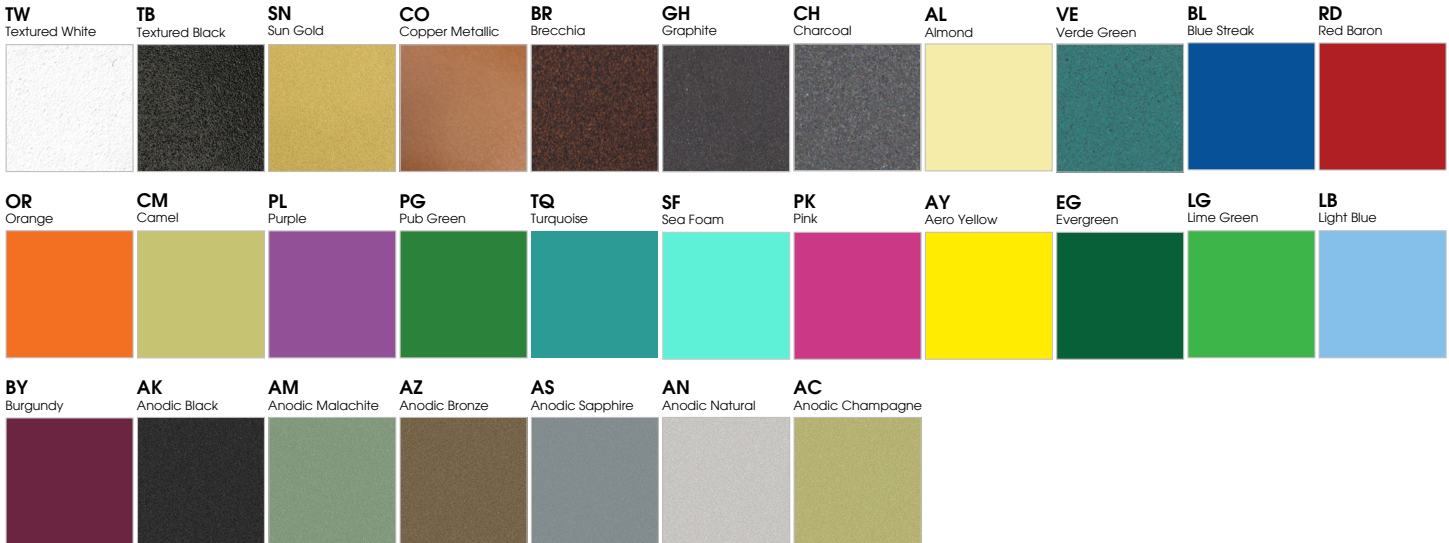
TIER	COST	AVERAGE PAINT TIME*
Tier 1 - Standard Finishes	\$	⌚
Tier 2 - Typical Finishes	\$\$	⌚⌚
Custom Color	Contact Factory	Contact Factory

*CONTACT FACTORY FOR SPECIFIC PRODUCT LEAD TIMES

TIER 1 - STANDARD FINISHES



TIER 2 - TYPICAL FINISHES



CUSTOM COLOR FINISHES

CONTACT FACTORY

CC
Custom Color



*UNAVAILABLE FOR WET LOCATION