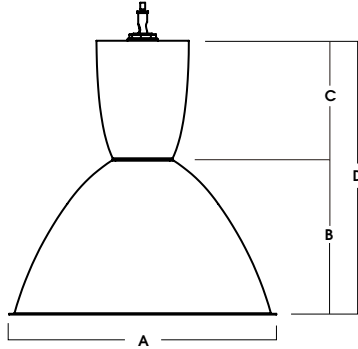




RETRO PENDANT INC



A	B	C	D
18.4	10.7	9.1	19.8
467.36 mm	271.8 mm	231.1 mm	502.9 mm

PROJECT: _____

QUANTITY: _____

TYPE: _____

ALAT18INC

APPLICATION

Retro Pendant offers a clean, simple design for area lighting. INC Series is designed for indoor damp locations or outdoor wet locations.

FEATURES

Speculume series fixtures offer contemporary style with functional luminaire performance. Fixtures are designed and manufactured in our factory. Retro Pendant offers a variety of finished and mountings for a creative design. LED module is upgradable and interchangeable for ease of maintenance.

FINISH

Multi-stage polyester powder-coat process applied on our dedicated paint lines. See mounting and color pages for standard finishes. Specify both interior and exterior finish. Standard interior matte white finish.

ELECTRONICS

E26 Edison medium base 120V socket for incandescent or LED lamps. Contact factory for other available socket options.

CONSTRUCTION

Fixtures are spun in our factory from 0.063 high purity aluminum. Passive machined aluminum heatsink for optimal thermal management.

CODE COMPLIANCE

BAA compliant. ETL certified to meet US and Canadian standards. Suitable for dry or damp locations. Manufactured and tested to UL standards No. 1598/8750

SERIES	OPTIONS	REFLECTOR	MOUNTING ¹	INTERIOR FINISH ³	FINISH ³
ALAT18INC	FS Fusing	AL18 Spun Aluminum	CD² Cord / Cable Mount HM² Hang Straight AT² Hang Straight All Thread PM² Rigid Pendant Mount	MW⁴ Matte White MB⁴ Matte Black PTI Platinum Silver GFI Gold Flake GAI Galvanized ORI Orange YLI Yellow BLI Blue PGI Pub Green RDI Red	MW⁴ Matte White MB⁴ Matte Black PT⁴ Platinum Silver TW Textured White TB Textured Black MT Textured Silver BZ Bronze OB Oil Rubbed Bronze CH Charcoal GH Graphite AC Champagne SN Sun Gold BR Breccchia Rust AN Anodic Natural Copper CO Metallic CC Custom Color

EXAMPLE: ALAT18INCAL18CD36MWIMW

NOTES:
 1 See Mounting Page for Details on Components and Finishes 2 Specify Length in Inches: See Mounting Page for Available Lengths
 3 Contact Factory for Special Finishes 4 Standard Finishes



COLOR OPTIONS - POWDER COAT PAINT FINISHES

NOTE: NO PRINTED IMAGE CAN EQUAL THE EXACT COLOR OF FINISH ON METAL.
SEE INDIVIDUAL SPECIFICATION SHEETS OR CONSULT FACTORY FOR ADDITIONAL INFORMATION.



STANDARD CORD / STEM / CANOPY FINISHES

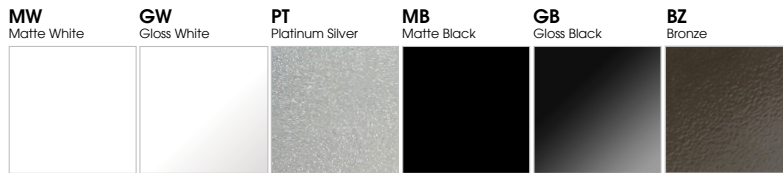
FIXTURE COLOR	STANDARD CORD COLOR	STANDARD CANOPY / STEM COLOR
Matte White, Textured White	Matte White	Matte White
Gloss White	Matte White	Gloss White
Matte Black, Gloss Black, Textured Black	Matte Black	Matte Black
All Others	Matte Black	Same Color as Fixture
Custom Color	Contact Factory	Contact Factory

PAINT TIMES

TIER	COST	AVERAGE PAINT TIME*
Tier 1 - Standard Finishes	\$	⓪
Tier 2 - Typical Finishes	\$\$	⓪⓪
Tier 3 - Special Metal Finishes	\$\$\$	⓪⓪⓪
Custom Color	Contact Factory	Contact Factory

*CONTACT FACTORY FOR SPECIFIC PRODUCT LEAD TIMES

TIER 1 - STANDARD FINISHES



TIER 2 - TYPICAL FINISHES



TIER 3 - SPECIAL METAL FINISHES



CUSTOM COLOR FINISHES

CONTACT FACTORY

CC
Custom Color



*UNAVAILABLE FOR WET LOCATION

**UNAVAILABLE FOR INTERIOR

