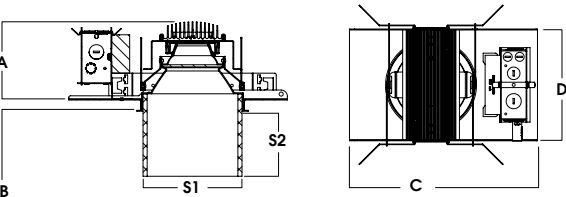
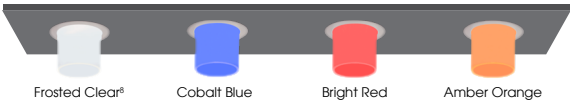
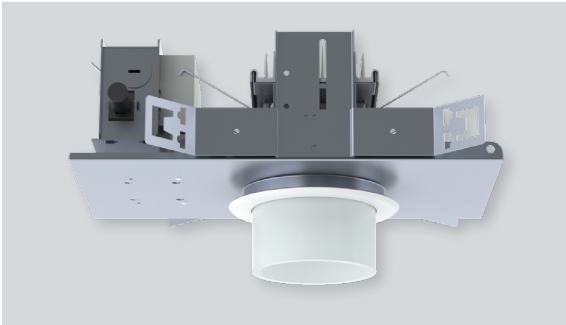




GEO-METRICS DECORATIVE ACCENT OS SERIES / 4500 LUMENS MAX



A	B	C	D	S1	S2
4.8 121.9 mm	0.625 15.9 mm	13.3 337.8 mm	7.9 200.7 mm	6.0 152.4 mm	2 1/4" 2 1/4"

SGE6LEDOS - DECORATIVE TRIM / NON-IC RATED

APPLICATION

Geo-Metrics decorative accent LED series. These create visual focus and ceiling brightness while functioning as a performance downlight.

FEATURES

Decorative Trim installed directly to the reflector. Can be ordered in 2" and 4" lengths. Two-stage optical system for smooth light distribution. Zhaga International Standard LED module for ease of maintenance and replacement. Tool-less LED module, driver and J-Box access. Multi-Bar mounting brackets. BH27 Standard mounting bars included. Posti-lock trim retention torsion springs. Integral 0.625" collar.

TRIM FINISH

A variety of architectural powdercoat and anodized finishes are available. Matte white flange is standard.

ELECTRONICS

LED module features high brightness white Osram LEDs. 3-step MacAdam Ellipse binning and CRI 84 minimum. Full range of electronic 120V/277V and dimming drivers.

CONSTRUCTION

Housing/frame constructed of #20 ga. galvanized steel to resist corrosion. Decorative accent cast in 0.25" thick colored acrylic. Material is precision machined and rolled into reflector for a seamless installation with no visible hardware. Acrylic is UV stabilized and soft etched for a durable and uniform finish. Passive machined aluminum heatsink.

CODE COMPLIANCE

BAA Compliant. Non-IC rated. ETL certified to meet US and Canadian standards. Suitable for dry or damp locations. Optional Wet location. LM79/LM80/TM21 data available. Manufactured and tested to UL standards No. 1598/8750.

WATTAGE TO LUMENS UPDATE					
CURRENT PART NUMBER EXAMPLE	PREVIOUS PART NUMBER EXAMPLE	SOURCE LUMENS ¹	DELIVERED LUMENS ²	SYSTEM WATTS	LPW
SGE6LEDOS10L	SGE6LEDOS14W	1000	888	12.5	71
SGE6LEDOS15L	N/A	1500	1126	15.2	74
SGE6LEDOS20L	SGE6LEDOS25W	2000	1451	22.2	65
SGE6LEDOS30L	SGE6LEDOS35W	3000	-	-	-
SGE6LEDOS45L	N/A	4500	3551	43.1	82

SERIES	LUMENS ¹	CCT	DRIVER / VOLTAGE ³	OPTIONS ⁵	TRIM	COLOR	CAST ACRYLIC	TRIM OPTIONS
SGE6LEDOS	10L 1100 Lm	27K 2700K	E Electronic Driver DS10 10%, 0-10V DO10 1%, 0-10V DS2W1 1%, ELV/MLV, 120V DLTE1 1% Lutron® 2-Wire Forward Phase, 120V DL3E 1% Lutron® EcoSystem®, Fade EL10 1%, eldoLED ED01 0.1%, eldoLED DALI DALI Control DMXS DMX Standard Configuration DMXC DMX Non-Standard Custom	1 120V 2 277V BH27 27" Solid Bars H12 12" - 24" Expandable Bars H06 6" - 12" Expandable Bars CB24 24" C-Channel Bars FS Fusing EB Fixture Painted Black CR Corrosion Resistant PR Deep Ceiling Extension GR Goof Ring ZIG ZigBee Module BLU Bluetooth LE EM 7W Emergency Battery Test Switch Remote AMB Anti-Microbial Finish	AR6223OSMWSO	FA ¹⁰ Frosted Clear CB Cobalt Blue RD Bright Red AM Amber Orange	CY2 2" Deep Acrylic CY4 4" Deep Acrylic	WL Wet Location PF ¹¹ Polished Flange AMB Anti-Microbial Finish
	15L 1500 Lm	30K 3000K						
	20L 2000 Lm	35K 3500K						
	30L 3000 Lm	40K 4000K						
	45L 4500 Lm							

EXAMPLE: SGE6LEDOS20L35KE1/AR6223OSMWSOFACY2

NOTES:
 1 Nominal Source Lumens at 35K 2 Nominal Delivered Lumens 84 CRI at 35K with MW SO FACY4 3 Contact Factory for Additional Options 4 Contact Factory 5 See Product Options Page for Details 6 Standard Bar Hangers
 7 Contact Factory 8 Order DS101/2 When Specifying Zig or BLU 9 Standard EM 10 Standard 11 Flange and Reflector Same Finish



PROJECT: _____
 TYPE: _____



Dimensions and values shown are nominal. Spectrum Lighting continually works to improve products and reserves the right to make changes which may alter the performance or appearance of products.

GEO-METRICS DECORATIVE ACCENT

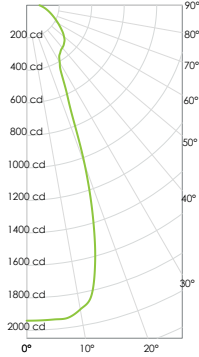
OS SERIES / PHOTOMETRIC DATA

recessed fixtures



SGE6LEDOS 30L 35K DS101 AR6223OS MW SO FAC4

CANDLEPOWER CURVE TEST SP-00919



INTENSITY CANDELA 0° AZIMUTH

Beam Angle (°)	Intensity (cd)
0.00°	1,941
5.00°	1,940
10.00°	1,900
15.00°	1,628
20.00°	1,045
30.00°	407
40.00°	341
50.00°	300
60.00°	225
70.00°	163
80.00°	117
90.00°	79

ZONAL LUMENS

Beam Angle Range (°)	Lumens	% Total
0° - 10°	187	9%
0° - 20°	617	29%
0° - 30°	894	41%
0° - 40°	1,121	52%
0° - 60°	1,606	74%
0° - 80°	1,944	90%
0° - 90°	2,050	95%
Total	2,165	100%

SINGLE UNIT: PERFORMANCE INITIAL FOOTCANDLES BASED ON IES BEAM ANGLE

Mounting Height AFF	FC at Center on Floor	Beam Diameter	FC at Beam Edge
5.5'	64 fc	4.1'	26 fc
6.5'	46 fc	4.9'	19 fc
7.5'	35 fc	5.6'	14 fc
8.5'	27 fc	6.4'	11 fc
10.0'	19 fc	7.5'	8 fc
12.0'	13 fc	9.0'	6 fc
14.0'	10 fc	10.5'	4 fc
16.0'	8 fc	12.0'	3 fc

MULTIPLE UNITS: PERFORMANCE 80/50/20% REFLECTANCES INITIAL FOOTCANDLES AND WATTS PER SQUARE FOOT

Ceiling Height	Fixture Spacing	RCR 3		RCR 5	
		FC +	W/Sq. Ft.	FC +	W/Sq. Ft.
9'	4'	94	1.58	77	1.58
12'	4'	112	1.89	64	1.31
16'	6'	43	0.72	32	0.65
Delivered Illuminance Rating: (DIR)		59 FC per W/Sq. Ft.		49 FC per W/Sq. Ft.	
Recessed Mounting Square rooms used for multiple units: - RCR 3: Length & Width = Ceiling Ht. -2.5' x 3.33 - RCR 5: Length & Width = Ceiling Ht. -2.5' x 2.00 + Average Footcandles at 2.5' Above Floor					

Delivered Lumens: **2,165**
Luminaire Watts: **29.6**
LER: **73.14**

CP at 0deg (Nadir): **1,941**
CRI: **80+**

Beam Angle: **41.18**
Spacing Ratio: **0.69**

Lumen Multiplier: 10L x 0.41, 15L x 0.52, 20L x 0.67, 45L x 1.64
CCT Multiplier: 27K x 0.89, 30K x 0.95, 40K x 1.03