

STC4PC

4" SPOT AIM LUMINAIRE

Spectrum 4" Round TC Series Spot Aim Luminaire for Precision Accent Lighting with Up to 3500 Lumens Delivered.

LUMENS / WATTAGE DATA				
PART NUMBER	SOURCE LUMENS ¹	DELIVERED LUMENS ²	SYSTEM WATTS	LPW
STC4PC 10L	1000	686	7.4	93
STC4PC 20L	2000	1372	13.2	104
STC4PC 30L	3000	2059	20.4	101
STC4PC 40L	4000	2745	28.1	98
STC4PC 50L	5000	3431	35	98

¹ Nominal Source Lumens at 35K ² Nominal Delivered Lumens at 80 CRI with PC50L 35K WD xx xx LN4AGL

FEATURES

Passive cooled LED tracklight with a wide variety of options. Track light accepts up to two accessories. Reflector and accessories are easily changed. Zhaga International standard LED module for fixture maintenance and upgrades. Precision aiming featuring 350° rotation and 90° tilt, optimizing a high tension friction locking mechanism.

FINISH

Multi-stage polyester powder-coat process applied on our dedicated paint lines. A wide variety of standard and custom finishes are available. All exposed materials are chromate pretreated to resist corrosion.

CONSTRUCTION

Spun, fabricated and extruded aluminum construction.

ELECTRONICS

LED module features state of the art, high efficiency LEDs. 3-step MacAdam Ellipse binning with 80 and 90 CRI available. DS2W1 ELV/TRIAC phase cut driver dims smooth to 1%. 1% 0-10V, 120V and 277V options available.

CODE COMPLIANCE

BAA Compliant. ETL Listed for dry location. Manufactured and tested to UL Standards No. 1574.

WARRANTY

5 year warranty is Standard. L70 > 60,000 hours.

PRODUCT SELECTOR GUIDE

SERIES	LUMENS ¹	CCT	OPTICS	DRIVER / VOLTAGE	MOUNTING	FINISH	ACCESSORIES
STC4PC							

EXAMPLE

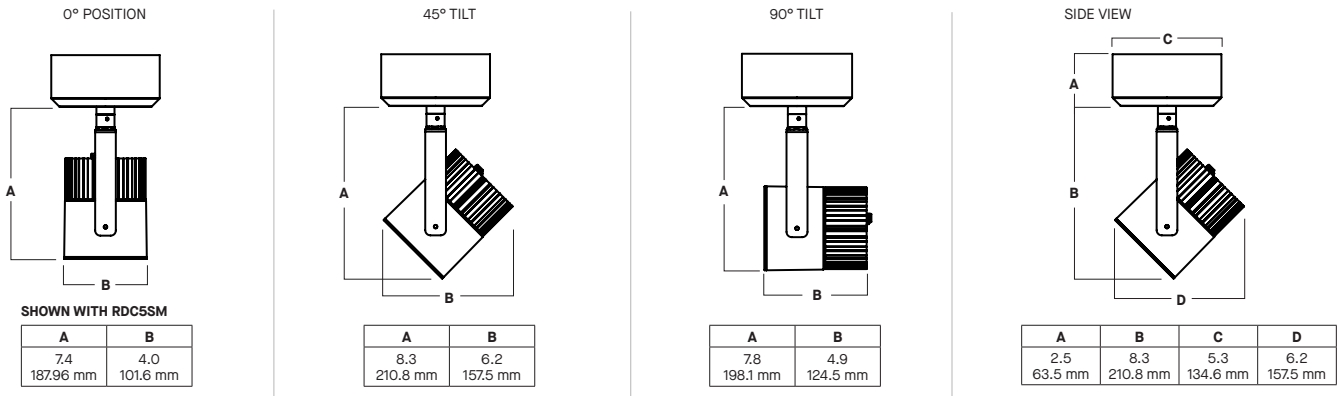
STC4PC	10L	27K	ND	DX	RDC5PM36	PT	
--------	-----	-----	----	----	----------	----	--

SERIES	LUMENS ¹	CCT	OPTICS	DRIVER / VOLTAGE	MOUNTING	FINISH ³	ACCESSORIES ⁵		
STC4PC	80 CRI		ND 16° MD 26° WD 36° XW 56°	DX Electronic Driver 1%, 0-10V, 120V/277V DS2W1 ELV/TRIAC Phase Cut Dimming, 120V	RDC5SM Small Driver Canopy RDC5PMxxx² Rigid Pendant Mount	MW⁴ Matte White MB⁴ Matte Black PT⁴ Platinum Silver CC Custom Color	ORDER SEPARATELY LN4ASO Solite Diffuse Lens LN4AFG Frosted Lens LN4ASK Skytext Linear Lens LN4AGL Clear Lens SN4A⁶ Snoot HL4A⁶ Hex Louver		
	10L	700 Lm						27K	2700K
	20L	1400 Lm						30K	3000K
	30L	2000 Lm						35K	3500K
	40L	2750 Lm						40K	4000K
	50L	3500 Lm							
	90 CRI								
	10L	700 Lm						27HK	2700K
	20L	1400 Lm						30HK	3000K
	30L	2000 Lm						35HK	3500K
40L	2750 Lm	40HK	4000K						
50L	3500 Lm								
<small>¹ Nominal Delivered Lumens at 35K ² Specify Length in Inches; See Mounting Page for Available Lengths</small>									
<small>³ See Color Page for More Options/ Consult Factory for Special Finishes ⁴ Standard Finishes</small>									
<small>⁵ Track Light Accepts up to Two Accessories ⁶ Only Available in Flat Black</small>									

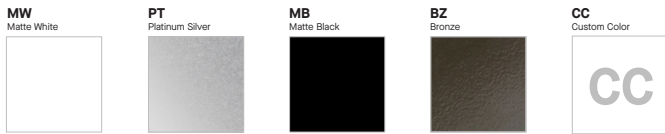
PROJECT: _____
 QUANTITY: _____ TYPE: _____



FIXTURE DIMENSIONS



FINISH



PAINT TIMES

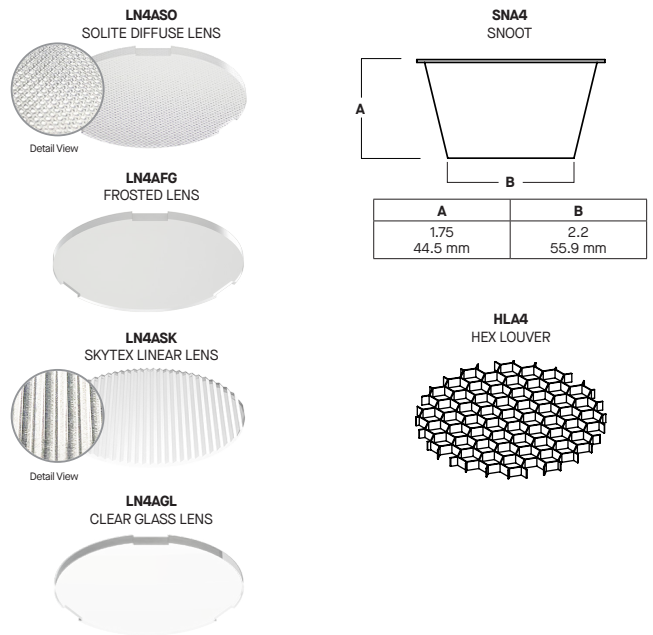
TIER	COST	AVERAGE PAINT TIME*
Tier 1 - Standard Finishes	\$	⌚
Custom Color	Contact Factory	Contact Factory

*CONTACT FACTORY FOR SPECIFIC PRODUCT LEAD TIMES

STANDARD PRODUCT FINISHES

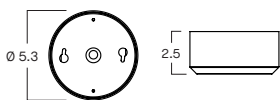
FIXTURE COLOR	STANDARD CORD / SLEEVING COLOR	STANDARD CANOPY / STEM COLOR
Matte White, Textured White	Matte White	Matte White
Gloss White	Matte White	Gloss White
Matte Black, Gloss Black, Textured Black	Matte Black	Matte Black
All Others	Matte Black	Same Color as Fixture
Custom Color	Contact Factory	Contact Factory

FIXTURE ACCESSORIES



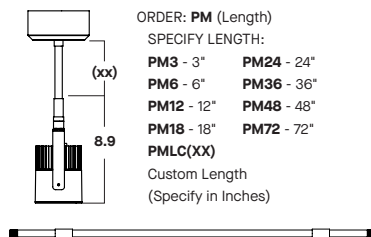
DRIVER CANOPY OPTIONS

RDC5SM
Small Driver Canopy (Standard)



MOUNTING TYPES

RDC5PMxx
Rigid Pendant Mount
RIGID 5/8" OD STEM - 3/8" IP



ORDER: **PM** (Length)
SPECIFY LENGTH:
PM3 - 3" **PM24** - 24"
PM6 - 6" **PM36** - 36"
PM12 - 12" **PM48** - 48"
PM18 - 18" **PM72** - 72"
PMLC(XX)
 Custom Length
 (Specify in Inches)

*MAXIMUM ONE PIECE STEM LENGTH IS 72".
LONGER LENGTHS ARE POSSIBLE USING MULTIPLE STEMS AND COUPLERS.

STC4PC 50L 35K ND xx xx NL

CANDLEPOWER CURVE TEST SP-01364	INTENSITY CANDELA 0° AZIMUTH	ZONAL LUMENS	SINGLE UNIT: PERFORMANCE HORIZONTAL FOOTCANDLES INITIAL DOWNLIGHT ONLY				MULTIPLE UNITS: PERFORMANCE 80/50/20% REFLECTANCES HORIZONTAL FOOTCANDLES AND WATTS/SQ FT							
			Mounting Distance	FC at Beam Center	Diameter at Beam Angle	FC at Beam Edge	Ceiling Height	Fixture Spacing	RCR 4		RCR 6			
	0°	0° - 10°	1260	35%	6.5'	439 fc	2.2'	210 fc	18'	4'	210	2.16	196	2.17
	0°	0° - 20°	2487	69%	7.5'	330 fc	2.6'	158 fc	22'	5'	129	1.33	120	1.34
	5°	0° - 30°	3208	90%	8.5'	257 fc	2.9'	123 fc	26'	6'	87	0.90	81	0.90
	15°	0° - 40°	3408	95%	10.0'	186 fc	3.4'	89 fc	Delivered Illuminance Rating: (DIR)		97 FC per W/Sq. Ft.		90 FC per W/Sq. Ft.	
	25°	0° - 60°	3478	97%	12.0'	129 fc	4.1'	62 fc	1' Suspension Length to luminous aperture Square rooms used for multiple units: RCR 4: Length & Width = Ceiling Ht. - 3.5' x 2.50 RCR 6: Length & Width = Ceiling Ht. - 3.5' x 1.66 * Average Initial Footcandles at 2.5' Above Floor					
	35°	0° - 80°	3559	99%	14.0'	95 fc	4.8'	45 fc						
	45°	0° - 90°	3571	100%	16.0'	73 fc	5.5'	35 fc						
	55°	0° - 90°	3571	100%	20.0'	46 fc	6.9'	22 fc						
	90°	90°	2											
		Total	3580	100%										

Delivered Lumens: 3580
Luminaire Watts: 35
LER: 102.29

CP at 0° (Nadir): 18567
CRI: 80

Beam Angle: 20°
Spacing Ratio: 0.33

Lumen Multiplier: 10L x 0.20, 20L x 0.40, 30L x 0.60, 40L x 0.80
CCT Multiplier: 27K x 0.95, 30K x 0.98, 40K x 1.03

STC4PC 50L 35K MD xx xx NL

CANDLEPOWER CURVE TEST SP-01362	INTENSITY CANDELA 0° AZIMUTH	ZONAL LUMENS	SINGLE UNIT: PERFORMANCE HORIZONTAL FOOTCANDLES INITIAL DOWNLIGHT ONLY				MULTIPLE UNITS: PERFORMANCE 80/50/20% REFLECTANCES HORIZONTAL FOOTCANDLES AND WATTS/SQ FT							
			Mounting Distance	FC at Beam Center	Diameter at Beam Angle	FC at Beam Edge	Ceiling Height	Fixture Spacing	RCR 3		RCR 5			
	0°	0° - 10°	992	29%	6.5'	314 fc	2.8'	147 fc	18'	6"	94	0.96	93	1.04
	0°	0° - 20°	2321	67%	7.5'	236 fc	3.2'	110 fc	22'	7"	73	0.75	57	0.64
	5°	0° - 30°	3104	89%	8.5'	184 fc	3.6'	86 fc	26'	8"	49	0.51	56	0.62
	15°	0° - 40°	3306	95%	10.0'	133 fc	4.3'	62 fc	Delivered Illuminance Rating: (DIR)		98 FC per W/Sq. Ft.		89 FC per W/Sq. Ft.	
	25°	0° - 60°	3382	97%	12.0'	92 fc	5.1'	43 fc	1' Suspension Length to luminous aperture Square rooms used for multiple units: RCR 3: Length & Width = Ceiling Ht. - 3.5' x 3.33 RCR 5: Length & Width = Ceiling Ht. - 3.5' x 2.00 * Average Initial Footcandles at 2.5' Above Floor * Exceeds Spacing Ratio by 3%					
	35°	0° - 80°	3459	99%	14.0'	68 fc	6.0'	32 fc						
	45°	0° - 90°	3473	100%	16.0'	52 fc	6.8'	24 fc						
	55°	0° - 90°	3473	100%	20.0'	33 fc	8.5'	16 fc						
	90°	90°	1											
		Total	3481	100%										

Delivered Lumens: 3481
Luminaire Watts: 35
LER: 99.46

CP at 0° (Nadir): 13276
CRI: 80

Beam Angle: 24°
Spacing Ratio: 0.40

Lumen Multiplier: 10L x 0.20, 20L x 0.40, 30L x 0.60, 40L x 0.80
CCT Multiplier: 27K x 0.95, 30K x 0.98, 40K x 1.03

HOW TO USE PERFORMANCE DATA

SINGLE UNIT	MULTIPLE UNITS
<p>Cone of Light of a single, symmetrical beam luminaire. Direct initial illumination (FC) and Beam Angle diameter directly beneath fixture; shown at different distances from aperture to horizontal plane. Calculated using Inverse Square Law.</p> $FC_H = CP \times (\cos \theta) \div D^2$ <p>Beam Diam. = ½ Beam Angle (Tan) x 2D</p> <ul style="list-style-type: none"> • CP Candela at 0° (Nadir) • Cos θ Cosine of θ Angle • D Distance (Mounting Height AFF) • FC_H Footcandles, Horizontal • Beam Angle Cone of light to 50% max. CP • Beam Diam. Pattern of light at Beam Angle 	<p>Square grid layout of multiple luminaires in unfurnished, square rooms of different proportions (Room Cavity Ratios) with 80/50/20% room surface reflectances. 2' Suspension Length to aperture. Initial average illumination (FC) calculated at 2.5' above floor, using Zonal Cavity Method. W/Sq. Ft. of layout shown for each ceiling height and RCR.</p> <p>Delivered Illuminance Rating (DIR*): System performance indicator expressed as ratio of approximate initial FC per W/Sq. Ft. delivered to horizontal plane below, for the range of ceiling heights indicated.</p> <ul style="list-style-type: none"> • To estimate FC for Fixture Spacing that is different than shown (do not exceed Spacing Ratio): $FC = \text{Chart Spacing}^2 \div \text{Different Spacing}^2 \times \text{Chart FC}$ • To estimate Sq. Ft. per fixture for a specific target FC: $\text{Sq. Ft.} / \text{Fixture} = \text{Chart FC} \times \text{Chart Spacing}^2 \div \text{Target FC}$ <ul style="list-style-type: none"> • To estimate Fixture Quantity in a room: Fixture Qty. = Sq. Ft. of Rm. ÷ Sq. Ft. per fixture • To estimate Watts/Sq. Ft.: W/ Sq. Ft. = Luminaire Watts x Qty. ÷ Sq. Ft. of Rm.

STC4PC 50L 35K WD xx xx NL

CANDLEPOWER CURVE TEST SP-01366	INTENSITY CANDELA 0° AZIMUTH	ZONAL LUMENS	SINGLE UNIT: PERFORMANCE HORIZONTAL FOOTCANDLES INITIAL DOWNLIGHT ONLY				MULTIPLE UNITS: PERFORMANCE 80/50/20% REFLECTANCES HORIZONTAL FOOTCANDLES AND WATTS/SQ FT							
			Mounting Distance	FC at Beam Center	Diameter at Beam Angle	FC at Beam Edge	Ceiling Height	Fixture Spacing	RCR 2		RCR 4			
	0°	0° - 10°	557	15%	6.5'	140 fc	5.9'	53 fc	14'	6'	108	1.03	76	0.81
	0°	0° - 20°	1892	52%	7.5'	105 fc	6.9'	39 fc	18'	8'	57	0.54	40	0.43
	5°	0° - 30°	3128	86%	8.5'	82 fc	7.8'	31 fc	22'	10'	35	0.33	25	0.26
	15°	0° - 40°	3445	95%	10.0'	59 fc	9.2'	22 fc	Delivered Illuminance Rating: (DIR)		105 FC per W/Sq. Ft.		94 FC per W/Sq. Ft.	
	25°	0° - 60°	3526	97%	12.0'	41 fc	11.0'	15 fc	1' Suspension Length to luminous aperture Square rooms used for multiple units: RCR 2: Length & Width = Ceiling Ht. - 3.5' x 5.00 RCR 4: Length & Width = Ceiling Ht. - 3.5' x 2.50 * Average Initial Footcandles at 2.5' Above Floor					
	35°	0° - 80°	3597	99%	14.0'	30 fc	12.8'	11 fc						
	45°	0° - 90°	3610	100%	16.0'	23 fc	14.6'	9 fc						
	55°	0° - 90°	3610	100%	20.0'	15 fc	18.3'	6 fc						
	90°	90°	2											
		Total	3620	100%										

Delivered Lumens: 3620
Luminaire Watts: 35
LER: 103.43

CP at 0° (Nadir): 5899
CRI: 80

Beam Angle: 49°
Spacing Ratio: 0.78

Lumen Multiplier: 10L x 0.20, 20L x 0.40, 30L x 0.60, 40L x 0.80
CCT Multiplier: 27K x 0.95, 30K x 0.98, 40K x 1.03

STC4PC 50L 35K XW xx xx NL

CANDLEPOWER CURVE TEST SP-01368	INTENSITY CANDELA 0° AZIMUTH	ZONAL LUMENS	SINGLE UNIT: PERFORMANCE HORIZONTAL FOOTCANDLES INITIAL DOWNLIGHT ONLY				MULTIPLE UNITS: PERFORMANCE 80/50/20% REFLECTANCES HORIZONTAL FOOTCANDLES AND WATTS/SQ FT							
			Mounting Distance	FC at Beam Center	Diameter at Beam Angle	FC at Beam Edge	Ceiling Height	Fixture Spacing	RCR 2		RCR 4			
	0°	0° - 10°	410	11%	6.5'	103 fc	7.2'	34 fc	14'	8'	48	0.46	42	0.46
	0°	0° - 20°	1559	43%	7.5'	77 fc	8.3'	26 fc	18'	10'	34	0.33	22	0.24
	5°	0° - 30°	2964	82%	8.5'	60 fc	9.4'	20 fc	22'	12'	21	0.20	24	0.26
	15°	0° - 40°	3444	95%	10.0'	43 fc	11.1'	15 fc	Delivered Illuminance Rating: (DIR)		105 FC per W/Sq. Ft.		93 FC per W/Sq. Ft.	
	25°	0° - 60°	3541	98%	12.0'	30 fc	13.3'	10 fc	1' Suspension Length to luminous aperture Square rooms used for multiple units: RCR 2: Length & Width = Ceiling Ht. - 3.5' x 5.00 RCR 4: Length & Width = Ceiling Ht. - 3.5' x 2.50 * Average Initial Footcandles at 2.5' Above Floor					
	35°	0° - 80°	3608	99%	14.0'	22 fc	15.5'	7 fc						
	45°	0° - 90°	3621	100%	16.0'	17 fc	17.7'	6 fc						
	55°	0° - 90°	3621	100%	20.0'	11 fc	22.1'	4 fc						
	90°	90°	2											
		Total	3630	100%										

Delivered Lumens: 3630
Luminaire Watts: 35
LER: 103.71

CP at 0° (Nadir): 4345
CRI: 80

Beam Angle: 58°
Spacing Ratio: 0.96

Lumen Multiplier: 10L x 0.20, 20L x 0.40, 30L x 0.60, 40L x 0.80
CCT Multiplier: 27K x 0.95, 30K x 0.98, 40K x 1.03

HOW TO USE PERFORMANCE DATA

SINGLE UNIT	MULTIPLE UNITS
<p>Cone of Light of a single, symmetrical beam luminaire. Direct initial illumination (FC) and Beam Angle diameter directly beneath fixture; shown at different distances from aperture to horizontal plane. Calculated using Inverse Square Law.</p> $FC_H = CP \times (\cos \theta) \div D^2$ <p>Beam Diam. = ½ Beam Angle (Tan) x 2D</p> <ul style="list-style-type: none"> • CP Candela at 0° (Nadir) • Cos θ Cosine of θ Angle • D Distance (Mounting Height AFF) • FC_H Footcandles, Horizontal • Beam Angle Cone of light to 50% max. CP • Beam Diam. Pattern of light at Beam Angle 	<p>Square grid layout of multiple luminaires in unfurnished, square rooms of different proportions (Room Cavity Ratios) with 80/50/20% room surface reflectances. 2' Suspension Length to aperture. Initial average illumination (FC) calculated at 2.5' above floor, using Zonal Cavity Method. W/Sq. Ft. of layout shown for each ceiling height and RCR.</p> <p>Delivered Illuminance Rating (DIR*): System performance indicator expressed as ratio of approximate initial FC per W/Sq. Ft. delivered to horizontal plane below, for the range of ceiling heights indicated.</p> <ul style="list-style-type: none"> • To estimate FC for Fixture Spacing that is different than shown (do not exceed Spacing Ratio): $FC = \text{Chart Spacing}^2 \div \text{Different Spacing}^2 \times \text{Chart FC}$ • To estimate Sq. Ft. per fixture for a specific target FC: $\text{Sq. Ft.} / \text{Fixture} = \text{Chart FC} \times \text{Chart Spacing}^2 \div \text{Target FC}$ • To estimate Fixture Quantity in a room: $\text{Fixture Qty.} = \text{Sq. Ft. of Rm.} \div \text{Sq. Ft. per fixture}$ • To estimate Watts/Sq. Ft.: $\text{W/Sq. Ft.} = \text{Luminaire Watts} \times \text{Qty.} \div \text{Sq. Ft. of Rm.}$

STC4PC 50L 35K ND xx xx LN4AGL

CANDLEPOWER CURVE TEST SP-01363	INTENSITY CANDELA 0° AZIMUTH	ZONAL LUMENS	SINGLE UNIT: PERFORMANCE HORIZONTAL FOOTCANDLES INITIAL DOWNLIGHT ONLY				MULTIPLE UNITS: PERFORMANCE 80/50/20% REFLECTANCES HORIZONTAL FOOTCANDLES AND WATTS/SQ FT							
			Mounting Distance	FC at Beam Center	Diameter at Beam Angle	FC at Beam Edge	Ceiling Height	Fixture Spacing	RCR 4		RCR 6			
	0°	0° - 10°	1171	35%	6.5'	408 fc	2.2'	195 fc	18'	4'	196	2.16	183	2.17
	0°	0° - 20°	2325	70%	7.5'	307 fc	2.6'	147 fc	22'	5'	120	1.33	113	1.34
	5°	0° - 30°	3007	90%	8.5'	239 fc	2.9'	114 fc	26'	6'	81	0.90	76	0.90
	15°	0° - 40°	3212	97%	10.0'	172 fc	3.4'	83 fc	Delivered Illuminance Rating: (DIR)		91 FC per W/Sq. Ft.		84 FC per W/Sq. Ft.	
	25°	0° - 60°	3269	98%	12.0'	120 fc	4.1'	57 fc	1' Suspension Length to luminous aperture Square rooms used for multiple units: RCR 4: Length & Width = Ceiling Ht. - 3.5' x 2.50 RCR 6: Length & Width = Ceiling Ht. - 3.5' x 1.66 * Average Initial Footcandles at 2.5' Above Floor					
	35°	0° - 80°	3312	100%	14.0'	88 fc	4.8'	42 fc						
	45°	0° - 90°	3316	100%	16.0'	67 fc	5.5'	32 fc						
	55°	0° - 90°	3316	100%	20.0'	43 fc	6.9'	21 fc						
	90°	Total	3325	100%										

Delivered Lumens: 3325
Luminaire Watts: 35
LER: 95.00

CP at 0° (Nadir): 17249
CRI: 80

Beam Angle: 20°
Spacing Ratio: 0.33

Lumen Multiplier: 10L x 0.20, 20L x 0.40, 30L x 0.60, 40L x 0.80
CCT Multiplier: 27K x 0.95, 30K x 0.98, 40K x 1.03

STC4PC 50L 35K MD xx xx LN4AGL

CANDLEPOWER CURVE TEST SP-01361	INTENSITY CANDELA 0° AZIMUTH	ZONAL LUMENS	SINGLE UNIT: PERFORMANCE HORIZONTAL FOOTCANDLES INITIAL DOWNLIGHT ONLY				MULTIPLE UNITS: PERFORMANCE 80/50/20% REFLECTANCES HORIZONTAL FOOTCANDLES AND WATTS/SQ FT							
			Mounting Distance	FC at Beam Center	Diameter at Beam Angle	FC at Beam Edge	Ceiling Height	Fixture Spacing	RCR 3		RCR 5			
	0°	0° - 10°	939	28%	6.5'	297 fc	2.8'	139 fc	18'	6"	89	0.96	89	1.04
	0°	0° - 20°	2199	67%	7.5'	223 fc	3.2'	105 fc	22'	7"	70	0.75	55	0.64
	5°	0° - 30°	2956	90%	8.5'	174 fc	3.6'	81 fc	26'	8"	47	0.51	53	0.62
	15°	0° - 40°	3172	96%	10.0'	126 fc	4.2'	59 fc	Delivered Illuminance Rating: (DIR)		93 FC per W/Sq. Ft.		85 FC per W/Sq. Ft.	
	25°	0° - 60°	3242	98%	12.0'	87 fc	5.1'	41 fc	1' Suspension Length to luminous aperture Square rooms used for multiple units: RCR 3: Length & Width = Ceiling Ht. - 3.5' x 3.33 RCR 5: Length & Width = Ceiling Ht. - 3.5' x 2.00 * Average Initial Footcandles at 2.5' Above Floor * Exceeds Spacing Ratio by 3%					
	35°	0° - 80°	3284	99%	14.0'	64 fc	5.9'	30 fc						
	45°	0° - 90°	3290	100%	16.0'	49 fc	6.8'	23 fc						
	55°	0° - 90°	3290	100%	20.0'	31 fc	8.5'	15 fc						
	90°	Total	3301	100%										

Delivered Lumens: 3301
Luminaire Watts: 35
LER: 94.31

CP at 0° (Nadir): 12564
CRI: 80

Beam Angle: 24°
Spacing Ratio: 0.40

Lumen Multiplier: 10L x 0.20, 20L x 0.40, 30L x 0.60, 40L x 0.80
CCT Multiplier: 27K x 0.95, 30K x 0.98, 40K x 1.03

HOW TO USE PERFORMANCE DATA

SINGLE UNIT	MULTIPLE UNITS
<p>Cone of Light of a single, symmetrical beam luminaire. Direct initial illumination (FC) and Beam Angle diameter directly beneath fixture; shown at different distances from aperture to horizontal plane. Calculated using Inverse Square Law.</p> $FC_H = CP \times (\cos \theta) \div D^2$ <p>Beam Diam. = ½ Beam Angle (Tan) x 2D</p> <ul style="list-style-type: none"> • CP Candela at 0° (Nadir) • Cos θ Cosine of θ Angle • D Distance (Mounting Height AFF) • FC_H Footcandles, Horizontal • Beam Angle Cone of light to 50% max. CP • Beam Diam. Pattern of light at Beam Angle 	<p>Square grid layout of multiple luminaires in unfurnished, square rooms of different proportions (Room Cavity Ratios) with 80/50/20% room surface reflectances. 2' Suspension Length to aperture. Initial average illumination (FC) calculated at 2.5' above floor, using Zonal Cavity Method. W/Sq. Ft. of layout shown for each ceiling height and RCR.</p> <p>Delivered Illuminance Rating (DIR*): System performance indicator expressed as ratio of approximate initial FC per W/Sq. Ft. delivered to horizontal plane below, for the range of ceiling heights indicated.</p> <ul style="list-style-type: none"> • To estimate FC for Fixture Spacing that is different than shown (do not exceed Spacing Ratio): $FC = \text{Chart Spacing}^2 \div \text{Different Spacing}^2 \times \text{Chart FC}$ • To estimate Sq. Ft. per fixture for a specific target FC: $\text{Sq. Ft.} / \text{Fixture} = \text{Chart FC} \times \text{Chart Spacing}^2 \div \text{Target FC}$ <ul style="list-style-type: none"> • To estimate Fixture Quantity in a room: $\text{Fixture Qty.} = \text{Sq. Ft. of Rm.} \div \text{Sq. Ft. per fixture}$ • To estimate Watts/Sq. Ft.: $\text{W/Sq. Ft.} = \text{Luminaire Watts} \times \text{Qty.} \div \text{Sq. Ft. of Rm.}$

STC4PC 50L 35K WD xx xx LN4AGL

CANDLEPOWER CURVE TEST SP-01365	INTENSITY CANDELA 0° AZIMUTH	ZONAL LUMENS	SINGLE UNIT: PERFORMANCE HORIZONTAL FOOTCANDLES INITIAL DOWNLIGHT ONLY				MULTIPLE UNITS: PERFORMANCE 80/50/20% REFLECTANCES HORIZONTAL FOOTCANDLES AND WATTS/SQ FT					
			Mounting Distance	FC at Beam Center	Diameter at Beam Angle	FC at Beam Edge	Ceiling Height	Fixture Spacing	RCR 2		RCR 4	
	0°	0° - 10° 530 15%	6.5'	132 fc	5.9'	50 fc	14'	6'	103	1.03	73	0.81
	0°	0° - 20° 1798 52%	7.5'	99 fc	6.8'	38 fc	18'	8'	54	0.54	38	0.43
	5°	0° - 30° 2978 87%	8.5'	77 fc	7.7'	29 fc	22'	10'	33	0.33	23	0.26
	15°	0° - 40° 3309 96%	10.0'	56 fc	9.0'	21 fc	Delivered Illuminance Rating: (DIR)		100 FC per W/Sq. Ft.		90 FC per W/Sq. Ft.	
	25°	0° - 60° 3377 98%	12.0'	39 fc	10.8'	15 fc	1' Suspension Length to luminous aperture Square rooms used for multiple units: RCR 2: Length & Width = Ceiling Ht. - 3.5' x 5.00 RCR 4: Length & Width = Ceiling Ht. - 3.5' x 2.50 * Average Initial Footcandles at 2.5' Above Floor					
	35°	0° - 80° 3415 100%	14.0'	29 fc	12.6'	11 fc						
	45°	0° - 90° 3420 100%	16.0'	22 fc	14.4'	8 fc						
	55°	0° - 90° 3420 100%	20.0'	14 fc	18.0'	5 fc						
	90°	2	Total 3431 100%									

Delivered Lumens: 3431 CP at 0° (Nadir): 5588 Beam Angle: 49° Lumen Multiplier: 10L x 0.20, 20L x 0.40, 30L x 0.60, 40L x 0.80
 Luminaire Watts: 35 Spacing Ratio: 0.77 CCT Multiplier: 27K x 0.95, 30K x 0.98, 40K x 1.03
 LER: 98.03 CRI: 80

STC4PC 50L 35K XW xx xx LN4AGL

CANDLEPOWER CURVE TEST SP-01367	INTENSITY CANDELA 0° AZIMUTH	ZONAL LUMENS	SINGLE UNIT: PERFORMANCE HORIZONTAL FOOTCANDLES INITIAL DOWNLIGHT ONLY				MULTIPLE UNITS: PERFORMANCE 80/50/20% REFLECTANCES HORIZONTAL FOOTCANDLES AND WATTS/SQ FT					
			Mounting Distance	FC at Beam Center	Diameter at Beam Angle	FC at Beam Edge	Ceiling Height	Fixture Spacing	RCR 2		RCR 4	
	0°	0° - 10° 382 11%	6.5'	95 fc	7.2'	32 fc	14'	8'	45	0.46	39	0.46
	0°	0° - 20° 1448 43%	7.5'	72 fc	8.3'	24 fc	18'	10'	32	0.33	21	0.24
	5°	0° - 30° 2755 82%	8.5'	56 fc	9.4'	19 fc	22'	12'	20	0.20	23	0.26
	15°	0° - 40° 3229 96%	10.0'	40 fc	11.1'	13 fc	Delivered Illuminance Rating: (DIR)		98 FC per W/Sq. Ft.		86 FC per W/Sq. Ft.	
	25°	0° - 60° 3318 99%	12.0'	28 fc	13.3'	9 fc	1' Suspension Length to luminous aperture Square rooms used for multiple units: RCR 2: Length & Width = Ceiling Ht. - 3.5' x 5.00 RCR 4: Length & Width = Ceiling Ht. - 3.5' x 2.50 * Average Initial Footcandles at 2.5' Above Floor					
	35°	0° - 80° 3353 100%	14.0'	21 fc	15.6'	7 fc						
	45°	0° - 90° 3357 100%	16.0'	16 fc	17.8'	5 fc						
	55°	0° - 90° 3357 100%	20.0'	10 fc	22.2'	3 fc						
	90°	2	Total 3367 100%									

Delivered Lumens: 3367 CP at 0° (Nadir): 4033 Beam Angle: 58° Lumen Multiplier: 10L x 0.20, 20L x 0.40, 30L x 0.60, 40L x 0.80
 Luminaire Watts: 35 Spacing Ratio: 0.98 CCT Multiplier: 27K x 0.95, 30K x 0.98, 40K x 1.03
 LER: 96.20 CRI: 80

HOW TO USE PERFORMANCE DATA

SINGLE UNIT	MULTIPLE UNITS
<p>Cone of Light of a single, symmetrical beam luminaire. Direct initial illumination (FC) and Beam Angle diameter directly beneath fixture; shown at different distances from aperture to horizontal plane. Calculated using Inverse Square Law.</p> $FC_H = CP \times (\cos \theta) \div D^2$ <p>Beam Diam. = ½ Beam Angle (Tan) x 2D</p> <ul style="list-style-type: none"> • CP Candela at 0° (Nadir) • Cos θ Cosine of θ Angle • D Distance (Mounting Height AFF) • FC_H Footcandles, Horizontal • Beam Angle Cone of light to 50% max. CP • Beam Diam. Pattern of light at Beam Angle 	<p>Square grid layout of multiple luminaires in unfurnished, square rooms of different proportions (Room Cavity Ratios) with 80/50/20% room surface reflectances. 2' Suspension Length to aperture. Initial average illumination (FC) calculated at 2.5' above floor, using Zonal Cavity Method. W/Sq. Ft. of layout shown for each ceiling height and RCR.</p> <p>Delivered Illuminance Rating (DIR*): System performance indicator expressed as ratio of approximate initial FC per W/Sq. Ft. delivered to horizontal plane below, for the range of ceiling heights indicated.</p> <ul style="list-style-type: none"> • To estimate FC for Fixture Spacing that is different than shown (do not exceed Spacing Ratio): $FC = \text{Chart Spacing}^2 \div \text{Different Spacing}^2 \times \text{Chart FC}$ • To estimate Sq. Ft. per fixture for a specific target FC: $\text{Sq. Ft.} / \text{Fixture} = \text{Chart FC} \times \text{Chart Spacing}^2 \div \text{Target FC}$ <ul style="list-style-type: none"> • To estimate Fixture Quantity in a room: Fixture Qty. = Sq. Ft. of Rm. ÷ Sq. Ft. per fixture • To estimate Watts/Sq. Ft.: W/ Sq. Ft. = Luminaire Watts x Qty. ÷ Sq. Ft. of Rm.