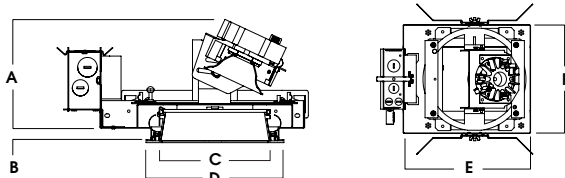
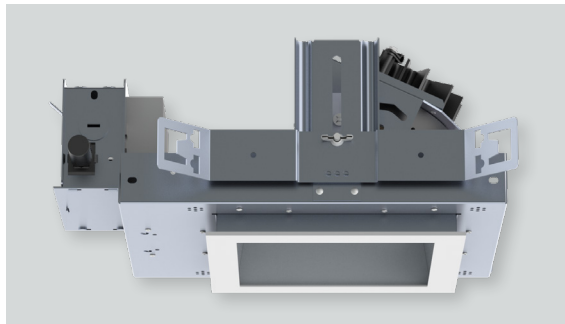
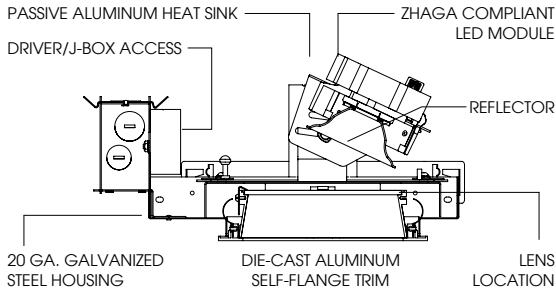




6" SQUARE ADJUSTABLE ACCENT XT SERIES / 5000 LUMENS MAX



A	B	C	D	E	F
10L-20L: 6.0 30L-50L: 6.9	.625 15.2 mm	6.0 152.4 mm	7.5 191.0 mm	11.1 281.9 mm	9.5 241.3 mm

SAFO6XT - TRIM FLANGE / NON-IC RATED

APPLICATION

Versatile 6" Square aperture recessed LED accent light with a wide range of lumens and optical controls.

FEATURES

LED module tilts 30°, rotates 360°. Two-stage optical system for smooth light distribution and focus control. Quick change LED module with interchangeable optics for job site adjustment and fixture maintenance. Shallow plenum design. Tool-less driver and j-box access. Posi-lock trim retention torsion springs. See SAZO6 series for trimless plaster or wood ceiling. Integral .625" collar with deep ceiling option for up to 2" thick ceiling (PR).

TRIM FINISH

A variety of architectural powdercoat and anodized finishes are available. Matte white flange is standard.

ELECTRONICS

LED system features Xicato LED module with proprietary phosphor technology that provides consistent, stable color with CCT control of +/- 100K over life of the light engine. Base CRI is 83 with 2-step MacAdam Ellipse binning. High CRI is 98 with 1x2-step MacAdam Ellipse binning. Variety of electronic 120V/277V and dimming drivers.

CONSTRUCTION

Housing/frame constructed of #20 ga. galvanized steel to resist corrosion. Self-Flanged one piece trim die-cast high purity aluminum and finished to specification.

CODE COMPLIANCE

BAA Compliant. Non-IC rated. ETL certified to meet US and Canadian standards. Suitable for dry or damp locations. Optional Wet location. Manufactured and tested

WATTAGE TO LUMENS UPDATE					
CURRENT PART NUMBER EXAMPLE	PREVIOUS PART NUMBER EXAMPLE	SOURCE LUMENS ¹	DELIVERED LUMENS ²	SYSTEM WATTS	LPW
SAFO6XT10L	SAFO6LEDXI15W	1000	834	11.1	75
SAFO6XT13L	SAFO6LEDXI20W	1300	1124	15.0	75
SAFO6XT20L	SAFO6LEDXI33W	2000	1729	23.7	73
SAFO6XT30L	SAFO6LEDXI52W	3000	2594	34.6	75
SAFO6XT40L	N/A	4000	3329	39.9	83
SAFO6XT50L	N/A	5000	4323	54.0	80

SERIES	LUMENS ¹	CCT	OPTICS	DRIVER / DIMMING / VOLTAGE ⁴	OPTIONS ⁷	TRIM	FINISH	TRIM OPTIONS ¹⁴		
SAFO6XT	83 CRI		XN ³ 10° ND 26° MD 45° WD 50° XW 55°	E. Electronic Driver DS10_ 10% 0-10V DO10_ 1% 0-10V DS2W1 1%, ELV/MLV, 120V DLTE1 ⁵ 1% Lutron® 2-Wire Forward Phase, 120V DL3E_ ⁵ 1% Lutron® EcoSystem®, Fade EL10_ 1%, eldoLED ED01_ 0.1%, eldoLED DALI_ DALI Control DMXS_ ⁶ DMX Standard Configuration DMXC_ ⁶ DMX Non-Standard Custom	1 120V 2 277V	BH27 ⁸ 27" Solid Bars H12 12" - 24" Expandable Bars H06 6" - 12" Expandable Bars CB24 24" C-Channel Bars EM Integral Emergency Battery FS Fusing EB Black Housing CR Corrosion Resistant PR ⁹ Deep Ceiling Extension GR ⁹ Goof Ring AMB Anti Microbial Finish	SA6FXT ¹⁰	MW ¹¹ Matte White MB Matte Black SG ¹² Semi-Diffuse HZ ¹² Haze Full Diffuse PT Platinum Silver BZ Bronze CH Charcoal AS Anodic Sapphire AM Anodic Malachite SN Sun Gold CO Copper Metallic GH Graphite AMB Anti Microbial Finish CC ¹³ Custom Color	SOX ¹⁵ Micro Prism Solite™ Lens GLX ¹⁶ Clear Glass Lens PGX Prismatic Glass Lens FGX Frosted Glass Lens SOW Micro Prism Solite™ Lens Wet Location GLW Clear Glass Lens Wet Location PGW Prismatic Glass Lens Wet Location FGW Frosted Glass Lens Wet Location	
	10L 1000 Lm	27K 2700K								ND
	13L 1300 Lm	30K 3000K								MD
	20L 2000 Lm	35K 3500K								WD
	30L 3000 Lm	40K 4000K								XW
	40L 4000 Lm	40HK 4000K								
	50L 5000 Lm	40HK 4000K								
	98 CRI									
	10L 1000 Lm	27HK 2700K								
	13L 1300 Lm	30HK 3000K								
	20L 2000 Lm	35HK 3500K								
	30L 3000 Lm	40HK 4000K								

EXAMPLE: SAFO6XT40L35KNDE1H12/SA6FXTMW

NOTES:
 1 Nominal Source Lumens at Any CCT 2 Nominal Delivered Lumens 83 CRI at Any CCT with ND-MW, No Lens, Aimed at 0° 3 XN 13L Max at 83 and 98 CRI 4 Contact Factory for Additional Options 5 50L Not Available with Lutron Drivers
 6 Contact Factory 7 See Product Options Page for Details 8 Standard Bar Hangers 9 Contact Factory 10 "F" Indicates Self-Flange Trim, Matte White Standard 11 Standard Finish 12 Anodized Reflector with Matte White Flange
 13 Contact Factory for Special Finishes 14 Contact Factory for Special Lenses/Louvers 15 Standard Lens for MD, WD, XW 16 Standard Lens for XN and ND



PROJECT: _____
 TYPE: _____



Dimensions and values shown are nominal. Spectrum Lighting continually works to improve products and reserves the right to make changes which may alter the performance or appearance of products.