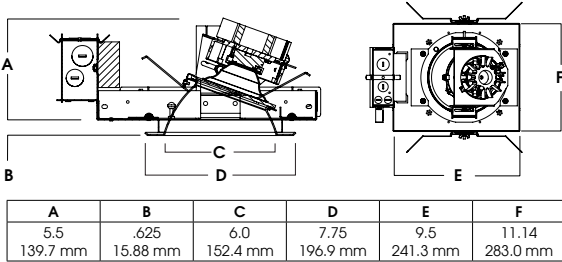
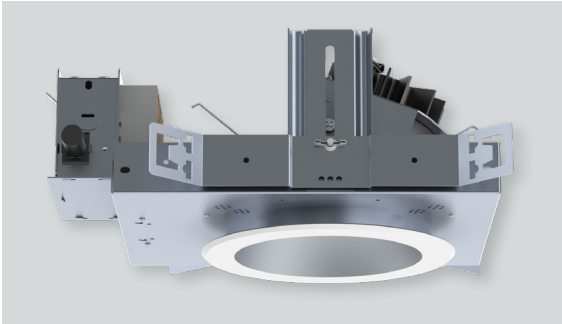
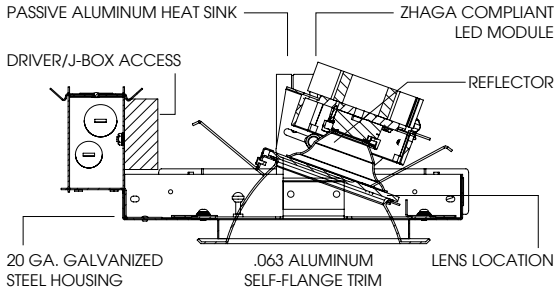


6" ROUND ADJUSTABLE ACCENT PC SERIES / 3000 LUMENS



RAFO6PC - TRIM FLANGE / NON IC RATED

APPLICATIONS

6" Round LED adjustable accent light with finished trim flange for Non-IC installations.

FEATURES

LED module tilts 35°, rotates 360°. Two-stage interchangeable optical and lens systems for smooth light distribution. Zhaga LED module for ease of maintenance and replacement. Shallow plenum design. Tool-less LED module, driver, and J-Box access. Multi-Bar mounting brackets. BH27 Standard aluminum mounting bars included. Post-lock trim retention torsion springs. Integral 0.625" collar, with plaster option (PR) for up to 3" thick ceiling.

TRIM FINISH

A variety of architectural powdercoat and anodized finishes are available. Matte White flange is standard.

ELECTRONICS

LED module features high brightness Philips LEDs. 3-step MacAdam Ellipse binning and 80 and 90 CRI available. Variety of electronic 120V/277V and dimming drivers.

CONSTRUCTION

Housing/frame constructed of #20 ga. galvanized steel to resist corrosion. Self-Flanged one piece trim spun from 0.063" thick high purity aluminum and finished to specification.

CODE COMPLIANCE

BAA Compliant. Non-IC rated. ETL listed for damp locations. Optional Wet location. Manufactured and tested to UL standards No. 1598/8750.

NOMINAL LUMENS / WATTAGE DATA			
CURRENT PART NUMBER EXAMPLE	PREVIOUS PART NUMBER EXAMPLE	SOURCE LUMENS ¹	SYSTEM WATTS
RAFO6PC10L	RAFO6OC10L	1100	15.2
RAFO6PC20L	RAFO6OC20L	2100	23.5
RAFO6PC30L	RAFO6OC30L	3000	31.0



LED MODULE TILTS AND LOCKS TO 35° AND ROTATES AND LOCKS 360° WHILE MAINTAINING CENTER BEAM FOCUS

SERIES	LUMENS ¹	CCT	OPTICS	DRIVER / VOLTAGE ²	OPTIONS ³	TRIM	FINISH	TRIM OPTIONS ⁸			
RAFO6PC	80 CRI		ND 20° MD 30° WD 40° XW 50°	E Electronic Driver DS10_ 10%, 0-10V DO10_ 1%, 0-10V	1 120V 2 277V	BH27 ⁴ 27" Solid Bars H12 12" - 24" Expandable Bars H06 6" - 12" Expandable Bars CB24 24" C-Channel Bars EM 7W Emergency Battery Test Switch Remote	RA6FPC ⁵	SG ⁶ Semi-Diffuse HZ Haze Full Diffuse MW Matte White MB Matte Black PT Platinum Silver OB Oil Rubbed Bronze CH Charcoal AC Anodic Champagne AS Anodic Sapphire AM Anodic Malachite SN Sun Gold CO Copper Metallic GH Graphite CC ⁷ Custom Color			
	10L	1100 Lm							27K	2700K	SOX ⁹ Micro Prism Solite™ Lens
	20L	2100 Lm							30K	3000K	GLX ¹⁰ Clear Glass Lens
	30L	3100 Lm							35K	3500K	PGX Prismatic Glass Lens
			40K	4000K	FGX Frosted Glass Lens						
	90 CRI								SOW Micro Prism Solite™ Lens Wet Location		
	10L	1000 Lm	27HK	2700K	GLW Clear Glass Lens Wet Location						
	20L	2000 Lm	30HK	3000K	PGW Prismatic Glass Lens Wet Location						
					FGW Frosted Glass Lens Wet Location						
					PF ¹¹ Polished Flange						
				AMB Anti Microbial Finish							

EXAMPLE: RAFO6PC10L35KNDE1/BH27/RA6FPCSGGLX

NOTES:
1 Nominal Source Lumens at 30K 2 Contact Factory for Additional Options 3 See Product Options Page for Details 4 Standard Bar Hangers 5 "F" Indicates Self-Flange Trim, Matte White Standard 6 Standard Finish
7 Contact Factory for Special Finishes 8 Contact Factory for Special Lenses / Louvers 9 Standard Lens for MD, WD, XW 10 Standard Lens for ND 11 Flange and Reflector Same Finish



PROJECT: _____
TYPE: _____



Dimensions and values shown are nominal. Spectrum Lighting continually works to improve products and reserves the right to make changes which may alter the performance or appearance of products.