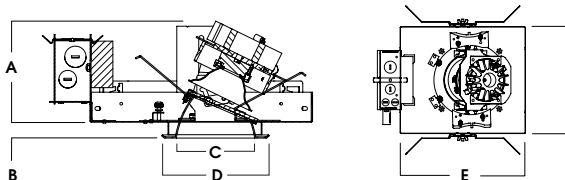
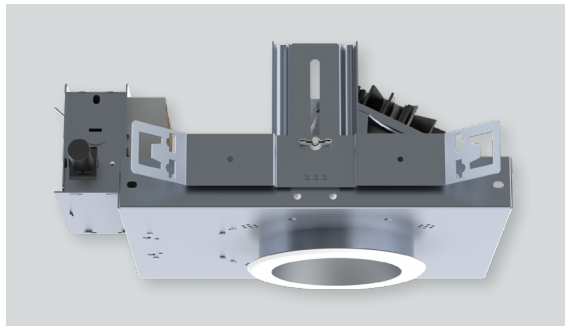
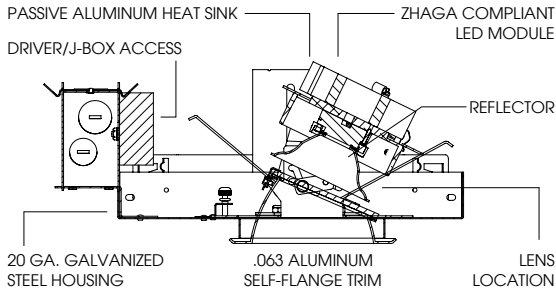




4" ROUND WALL WASH XT SERIES / 4000 LUMENS MAX



A	B	C	D	E	F
10L-20L: 5.1	.625	4.0	5.8	13.2	9.5
30L-40L: 6.0	15.2 mm	101.6 mm	147.3 mm	335.3 mm	241.3 mm

RWFO4XT - TRIM FLANGE / NON-IC RATED

APPLICATION

Versatile 4" Round aperture recessed LED wall wash with a wide range of lumens and control options.

FEATURES

Two-stage optical system for smooth light distribution and focus control. Quick change LED module with interchangeable optics for job site adjustment and fixture maintenance. Shallow plenum design. Tool-less driver and j-box access. Posi-lock trim retention torsion springs. See RWZO4 series for trimless plaster or wood ceiling.

TRIM FINISH

A variety of architectural powdercoat and anodized finishes are available.

Matte white flange is standard.

ELECTRONICS

LED system features Xicato LED module with proprietary phosphor technology that provides consistent, stable color with CCT control of +/- 100K over life of the light engine. Base CRI is 83 with 2-step MacAdam Ellipse binning. High CRI is 98 with 1x2-step MacAdam Ellipse binning. Variety of electronic 120V/277V and dimming drivers.

CONSTRUCTION

Housing/frame constructed of #20 ga. galvanized steel to resist corrosion. Self-Flanged one piece trim spun from 0.063" thick high purity aluminum and finished to specification.

CODE COMPLIANCE

BAA Compliant. Non-IC rated. UL certified to meet US and Canadian standards. Suitable for dry or damp locations. Optional Wet location. Manufactured and tested to UL standards No. 1598/8750.

WATTAGE TO LUMENS UPDATE

CURRENT PART NUMBER EXAMPLE	PREVIOUS PART NUMBER EXAMPLE	SOURCE LUMENS ¹	DELIVERED LUMENS ²	SYSTEM WAITS	LPW
RWFO4XT10L	RWFO4LEDX15W	1000	552	11.1	49.7
RWFO4XT13L	RWFO4LEDX120W	1300	744	15.0	49.6
RWFO4XT20L	RWFO4LEDX133W	2000	1145	23.7	48.3
RWFO4XT30L	RWFO4LEDX152W	3000	1717	34.6	49.6
RWFO4XT40L	N/A	4000	2203	39.9	55.2

SERIES	LUMENS ¹	CCT	OPTICS	DRIVER / DIMMING / VOLTAGE ³	OPTIONS ⁵	TRIM	FINISH	TRIM OPTIONS ¹¹
RWFO4XT	83 CRI		WD Wide XW Extra Wide	E Electronic Driver DS10 10% 0-10V DO10 1% 0-10V DS2W1 1%, ELV/MLV, 120V DLTE1 1% Lutron® 2-Wire Forward Phase, 120V DL3E 1% Lutron® EcoSystem®, Fade EL10 1%, eldoLED ED01 0.1%, eldoLED DALI DALI Control DMXS ⁴ DMX Standard Configuration DMXC ⁴ DMX Non-Standard Custom	1 120V 2 277V	BH27 ⁶ 27" Solid Bars H12 12" - 24" Expandable Bars H06 6" - 12" Expandable Bars CB24 24" C-Channel Bars EM Integral Emergency Battery FS Fusing EB Black Housing CR Corrosion Resistant PR ⁷ Deep Ceiling Extension GR Goof Ring AMB Anti Microbial Finish	RW4FXT ⁸ SG ⁹ Semi-Diffuse HZ Haze Full Diffuse MW Matte White MB Matte Black PT Platinum Silver OB Oil Rubbed Bronze CH Charcoal AC Anodic Champagne AS Anodic Sapphire AM Anodic Malachite SN Sun Gold CO Copper Metallic GH Graphite AMB Anti Microbial Finish CC ¹⁰ Custom Color	SKX ¹² Linear Wall Wash Lens SKW Linear Wall Wash Lens Wet Location PF ¹³ Polished Flange
	10L	1000 Lm						
	13L	1300 Lm	30K		3000K			
	20L	2000 Lm	35K		3500K			
	30L	3000 Lm	40K		4000K			
	40L	4000 Lm						
	98 CRI							
	10L	1000 Lm	27HK		2700K			
	13L	1300 Lm	30HK		3000K			
	20L	2000 Lm	35HK		3500K			
30L	3000 Lm	40HK	4000K					

EXAMPLE: RWFO4XT10L35KXWE1H12/RW4FXTSGSKX

NOTES:

1 Nominal Source Lumens at Any CCT 2 Nominal Delivered Lumens 83 CRI at Any CCT with XW-SG-SKX 3 Contact Factory for Additional Options 4 Contact Factory 5 See Product Options Page for Details 6 Standard Bar Hangers 7 Contact Factory 8 "F" Indicates Self-Flange Trim, Matte White Standard 9 Standard Finish 10 Contact Factory for Special Finishes 11 Contact Factory for Special Lenses/Louvers 12 Standard Lens 13 Flange and Reflector Same Finish



PROJECT: _____
TYPE: _____



Dimensions and values shown are nominal. Spectrum Lighting continually works to improve products and reserves the right to make changes which may alter the performance or appearance of products.