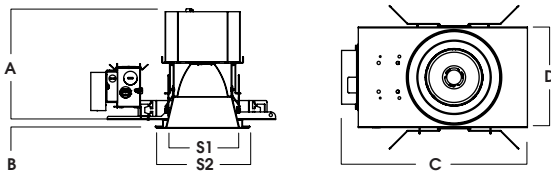
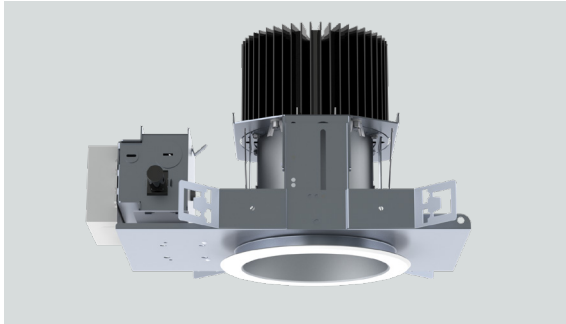
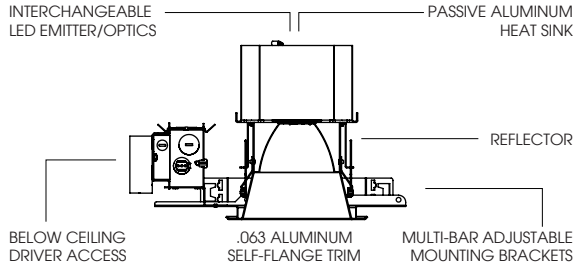




# 6" ROUND DOWNLIGHT BX SERIES / 8000 LUMENS MAX



A	B	C	D	S1	S2
8.7	.625	14.6	7.9	5.7	7.5
221.0 mm	15.9 mm	370.8 mm	200.7 mm	144.8 mm	190.5 mm

Fixture Weight: 7.9 lbs

Ceiling Cutout: Ø 6.3

## SGE6BX - TRIM FLANGE / NON-IC RATED

### APPLICATION

6" round open aperture deep regressed recessed high output LED downlight for high ceiling illumination in malls, churches and commercial applications.

### FEATURES

Two-stage optical system for smooth light distribution and focus control. Quick change LED module with interchangeable optics for job site adjustment and fixture maintenance. Tool-less driver and j-box access. Posi-lock trim retention torsion springs. Multi-bar mounting brackets.

### TRIM FINISH

A variety of architectural powdercoat and anodized finishes are available.

### ELECTRONICS

LED module features high brightness white Bridgelux® LEDs. 3-step MacAdam Ellipse binning and CRI 80 or 90. 2-step MacAdam Ellipse binning available, consult factory. 1% 0-10V dimming offered standard.

### CONSTRUCTION

Housing/frame constructed of #20 ga. galvanized steel to resist corrosion. Self-flanged one piece trim spun from 0.063" thick high purity aluminum and finished to specification.

### CODE COMPLIANCE

BAA Compliant. Non-IC rated. ETL certified to meet US and Canadian standards. Suitable for dry or damp locations. Complies with CUL. Manufactured and tested to UL standards No. 1598/8750.

LUMENS / WATTAGE DATA				
PART NUMBER	SOURCE LUMENS <sup>1</sup>	DELIVERED LUMENS <sup>2</sup>	SYSTEM WATTS	LPW
SGE6BX60L MD	6000	4684	44	106
SGE6BX70L MD	7000	5325	51	104
SGE6BX80L MD	8000	6163	60	103

SERIES	LUMENS <sup>1</sup>	CCT	OPTICS	DRIVER / VOLTAGE <sup>3</sup>	OPTIONS <sup>6</sup>	TRIM	FINISH	FLANGE FINISH		
SGE6BX	60L	6000 Lm	80 CRI	ND 24°	DO10_ 1% 0-10V	1 120V 2 277V 3 <sup>8</sup> 347V	BH27 <sup>7</sup> 27" Solid Bars H12 12" - 24" Expandable Bars H06 6" - 12" Expandable Bars CB24 24" C-Channel Bars FS Fusing EB Fixture Painted Black PR <sup>5</sup> Deep Ceiling Extension GR Goof Ring EM Integral Emergency Battery EMRM Remote Emergency Battery Pack	AR6BX	SG <sup>9</sup> Semi-Diffuse MW Matte White MB Matte Black PT Platinum Silver CH Charcoal AC Anodic Champagne AS Anodic Sapphire AM Anodic Malachite SN Sun Gold CO Copper Metallic GH Graphite CC <sup>9</sup> Custom Color	WF White Flange MF <sup>10</sup> Matching Flange
	70L	7000 Lm	27K 2700K	MD 40°	DS2W1 1% ELV/MLV, 120V					
	80L	8000 Lm	30K 3000K	WD 55°	DLTE1 <sup>4</sup> 1% Lutron® 2-Wire Forward Phase, 120V					
			35K 3500K	XW 66°	DL3E <sup>4</sup> 1% Lutron® EcoSystem®, Fade					
			40K 4000K		EL10_ 1%, eldoLED					
					ED01_ 0.1%, eldoLED					
			90 CRI		DALI_ DALI Control					
			27HK 2700K		DMXS <sup>4/5</sup> DMX Standard Configuration					
			30HK 3000K		DMXC <sup>4/5</sup> DMX Non-Standard Custom					
			35HK 3500K		BLU Bluetooth LE					
		40HK 4000K								

**EXAMPLE:** SGE6BX60L30KMDDO101/BH27/AR6BXSGMF

NOTES:  
 1 Nominal Source Lumens 2 Nominal Delivered Lumens at 35K with MD-SG 3 Contact Factory for Additional Options 4 60L Max 5 Contact Factory 6 See Product Options Page for Details 7 Standard Bar Hangers  
 8 Standard Finish 9 Contact Factory for Special Finishes 10 Flange Same Color as Inside of Trim



PROJECT: \_\_\_\_\_  
 TYPE: \_\_\_\_\_



Dimensions and values shown are nominal. Spectrum Lighting continually works to improve products and reserves the right to make changes which may alter the performance or appearance of products.

# 6" ROUND DOWNLIGHT BX SERIES / PHOTOMETRIC DATA

recessed  
fixtures



## SGE6BX-80L-35K-ND-DO101-AR6BX-SGWF

CANDLEPOWER CURVE	INTENSITY	ZONAL LUMENS	SINGLE UNIT: PERFORMANCE INITIAL FOOTCANDLES BASED ON IES BEAM ANGLE				MULTIPLE UNITS: PERFORMANCE 80/50/20% REFLECTANCES INITIAL FOOTCANDLES AND WATTS PER SQUARE FOOT							
			Mounting Height AFF	FC at Center on Floor	Beam Diameter	FC at Beam Edge	Ceiling Height	Fixture Spacing	RCR 3		RCR 5			
	0.00°	0° - 10°	2,012	33%	6.0'	736 fc	2.7'	368 fc	14'	6'	156	1.50	144	1.50
	0.00°	0° - 20°	4,540	74%	8.0'	414 fc	3.6'	207 fc	18'	8''	111	1.07	127	1.32
	5.00°	0° - 30°	5,892	96%	10.0'	265 fc	4.5'	132 fc	22'	10''	66	0.64	76	0.78
	10.00°	0° - 40°	6,140	100%	12.0'	184 fc	5.4'	92 fc	Delivered Illuminance Rating: (DIR)		104 FC per W/Sq. Ft.		96 FC per W/Sq. Ft.	
	15.00°	0° - 60°	6,156	100%	14.0'	135 fc	6.3'	68 fc	2' Suspension Length Square rooms used for multiple units: - RCR 3: Length & Width = Ceiling Ht. - 4.5' x 3.33 - RCR 5: Length & Width = Ceiling Ht. - 4.5' x 2.00					
	20.00°	0° - 80°	6,158	100%	16.0'	104 fc	7.1'	52 fc	* Average Footcandles at 2.5' Above Floor					
	30.00°	0° - 90°	6,159	100%	20.0'	66 fc	8.9'	33 fc	* Exceeds spacing criteria by 54%					
	40.00°	Total	6,160	100%	24.0'	46 fc	10.7'	23 fc	** Exceeds spacing criteria by 45%					
	50.00°								*** Exceeds spacing criteria by 39%					
	60.00°													
	70.00°													
	80.00°													
	90.00°													
Delivered Lumens: 6,160 Luminaire Watts: 60 LER: 102.67	CP at 0deg (Nadir): 26,498 CRI: 80	Beam Angle: 23.59 Spacing Ratio: 0.41	Lamp Multiplier: 60L x 0.76, 70L x 0.86 CCT Multiplier: CCT Output: 27K x 0.932, 30K x 1.00, 40K x 1.01											

## SGE6BX-80L-35K-MD-DO101-AR6BX-SGWF

CANDLEPOWER CURVE	INTENSITY	ZONAL LUMENS	SINGLE UNIT: PERFORMANCE INITIAL FOOTCANDLES BASED ON IES BEAM ANGLE				MULTIPLE UNITS: PERFORMANCE 80/50/20% REFLECTANCES INITIAL FOOTCANDLES AND WATTS PER SQUARE FOOT							
			Mounting Height AFF	FC at Center on Floor	Beam Diameter	FC at Beam Edge	Ceiling Height	Fixture Spacing	RCR 3		RCR 5			
	0.00°	0° - 10°	1,457	24%	6.0'	489 fc	3.6'	244 fc	14'	6'	154	1.50	141	1.50
	0.00°	0° - 20°	4,169	68%	8.0'	275 fc	4.8'	137 fc	18'	8''	110	1.07	70	0.74
	5.00°	0° - 30°	5,908	96%	10.0'	176 fc	6.0'	88 fc	22'	10''	65	0.64	74	0.78
	10.00°	0° - 40°	6,120	100%	12.0'	122 fc	7.2'	61 fc	Delivered Illuminance Rating: (DIR)		103 FC per W/Sq. Ft.		94 FC per W/Sq. Ft.	
	15.00°	0° - 60°	6,135	100%	14.0'	90 fc	8.4'	45 fc	2' Suspension Length Square rooms used for multiple units: - RCR 3: Length & Width = Ceiling Ht. - 4.5' x 3.33 - RCR 5: Length & Width = Ceiling Ht. - 4.5' x 2.00					
	20.00°	0° - 80°	6,137	100%	16.0'	69 fc	9.6'	34 fc	* Average Footcandles at 2.5' Above Floor					
	30.00°	0° - 90°	6,138	100%	20.0'	44 fc	12.0'	22 fc	* Exceeds spacing criteria by 17%					
	40.00°	Total	6,138	100%	24.0'	31 fc	14.4'	15 fc	** Exceeds spacing criteria by 10%					
	50.00°								*** Exceeds spacing criteria by 6%					
	60.00°													
	70.00°													
	80.00°													
	90.00°													
Delivered Lumens: 6,138 Luminaire Watts: 60 LER: 102.30	CP at 0deg (Nadir): 17,604 CRI: 80	Beam Angle: 33.29 Spacing Ratio: 0.54	Lamp Multiplier: 60L x 0.76, 70L x 0.86 CCT Multiplier: CCT Output: 27K x 0.932, 30K x 1.00, 40K x 1.01											

## SGE6BX-80L35K-WD-DO101-AR6BX-SGWF

CANDLEPOWER CURVE	INTENSITY	ZONAL LUMENS	SINGLE UNIT: PERFORMANCE INITIAL FOOTCANDLES BASED ON IES BEAM ANGLE				MULTIPLE UNITS: PERFORMANCE 80/50/20% REFLECTANCES INITIAL FOOTCANDLES AND WATTS PER SQUARE FOOT							
			Mounting Height AFF	FC at Center on Floor	Beam Diameter	FC at Beam Edge	Ceiling Height	Fixture Spacing	RCR 3		RCR 5			
	0.00°	0° - 10°	995	16%	6.0'	344 fc	4.5'	172 fc	14'	8''	96	0.96	135	1.50
	0.00°	0° - 20°	3,070	50%	8.0'	194 fc	6.0'	97 fc	18'	10''	74	0.74	67	0.74
	5.00°	0° - 30°	5,178	84%	10.0'	124 fc	7.5'	62 fc	22'	12''	44	0.44	40	0.44
	10.00°	0° - 40°	6,006	97%	12.0'	86 fc	9.0'	43 fc	Delivered Illuminance Rating: (DIR)		100 FC per W/Sq. Ft.		90 FC per W/Sq. Ft.	
	15.00°	0° - 60°	6,171	100%	14.0'	63 fc	10.5'	32 fc	2' Suspension Length Square rooms used for multiple units: - RCR 3: Length & Width = Ceiling Ht. - 4.5' x 3.33 - RCR 5: Length & Width = Ceiling Ht. - 4.5' x 2.00					
	20.00°	0° - 80°	6,173	100%	16.0'	48 fc	12.0'	24 fc	* Average Footcandles at 2.5' Above Floor					
	30.00°	0° - 90°	6,174	100%	20.0'	31 fc	15.0'	15 fc	* Exceeds spacing criteria by 40%					
	40.00°	Total	6,174	100%	24.0'	22 fc	17.9'	11 fc	** Exceeds spacing criteria by 23%					
	50.00°								*** Exceeds spacing criteria by 14%					
	60.00°													
	70.00°													
	80.00°													
	90.00°													
Delivered Lumens: 6,174 Luminaire Watts: 60 LER: 102.90	CP at 0deg (Nadir): 12,392 CRI: 80	Beam Angle: 40.13 Spacing Ratio: 0.6	Lamp Multiplier: 60L x 0.76, 70L x 0.86 CCT Multiplier: CCT Output: 27K x 0.932, 30K x 1.00, 40K x 1.01											

# 6" ROUND DOWNLIGHT BX SERIES / PHOTOMETRIC DATA

recessed  
fixtures



SGE6BX-80L-35K-XW-DO101-AR6BX-SGWF

CANDLEPOWER CURVE	INTENSITY	ZONAL LUMENS	SINGLE UNIT: PERFORMANCE INITIAL FOOTCANDLES BASED ON IES BEAM ANGLE	MULTIPLE UNITS: PERFORMANCE 80/50/20% REFLECTANCES INITIAL FOOTCANDLES AND WATTS PER SQUARE FOOT											
	0.00°	0° - 10°	866	14%	Mounting Height AFF	FC at Center on Floor	Beam Diameter	FC at Beam Edge	Ceiling Height	Fixture Spacing	RCR 3		RCR 5		
	0.00°	10,919	0° - 20°	2,745	45%	6.0'	303 fc	5.1'	151 fc	14'	8'	FC +	W/Sq. Ft.	FC +	W/Sq. Ft.
	5.00°	9,911	0° - 30°	4,843	79%	8.0'	171 fc	6.8'	85 fc	18'	10'	73	0.74	65	0.74
	10.00°	7,887	0° - 40°	5,822	95%	10.0'	109 fc	8.5'	54 fc	22'	12'	43	0.44	39	0.44
	15.00°	6,765	0° - 60°	6,105	100%	12.0'	76 fc	10.2'	38 fc	Delivered Illuminance Rating: (DIR)		98 FC per W/Sq. Ft.		87 FC per W/Sq. Ft.	
	20.00°	5,987	0° - 80°	6,108	100%	14.0'	56 fc	11.9'	28 fc	2' Suspension Length Square rooms used for multiple units: - RCR 3: Length & Width = Ceiling Ht. - 4.5' x 3.33 - RCR 5: Length & Width = Ceiling Ht. - 4.5' x 2.00 + Average Footcandles at 2.5' Above Floor * Exceeds spacing criteria by 32% ** Exceeds spacing criteria by 16% *** Exceeds spacing criteria by 7%					
	30.00°	3,098	0° - 90°	6,109	100%	16.0'	43 fc	13.6'	21 fc						
	40.00°	775	Total	6,109	100%	20.0'	27 fc	17.0'	14 fc						
	50.00°	74				24.0'	19 fc	20.3'	9 fc						
	60.00°	4													
	70.00°	1													
	80.00°	1													
90.00°	0														
Delivered Lumens: <b>6,109</b> Luminaire Watts: <b>60</b> LER: <b>101.82</b>	CP at 0deg (Nadir): <b>10,919</b> CRI: <b>80</b>	Beam Angle: <b>44.68</b> Spacing Ratio: <b>0.64</b>	Lamp Multiplier: <b>60L x 0.76, 70L x 0.86</b> CCT Multiplier: <b>CCT Output: 27K x 0.932, 30K x 1.00, 40K x 1.01</b>												