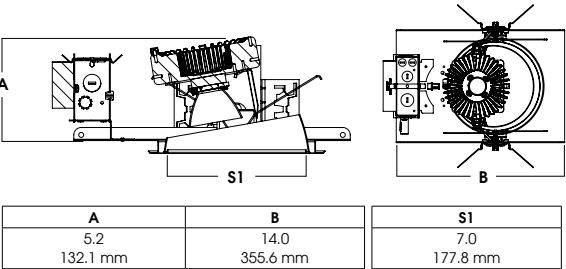
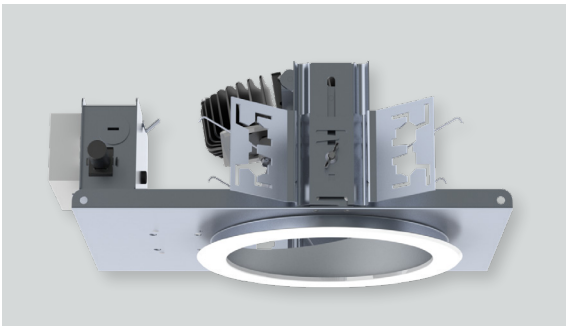
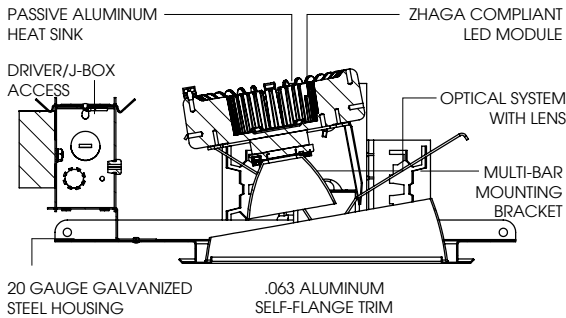




# 8" SLOPE CEILING DOWNLIGHT

## XT SERIES / 5000 LUMENS



### SGSC8XT APPLICATION

8" Round recessed slope ceiling downlight with optical control for high ceilings illumination in shopping malls, churches and commercial applications.

### FEATURES

Slope bracket adjusts from 0°-45°. Specify slope degree on trim. LED module tilts/locks and may be pulled down for optical fit in slope or curved ceilings. Two-stage optical system for smooth light distribution and focus control. Quick change LED module with interchangeable optics for site adjustments and maintenance. Shallow plenum design. Tool-less driver and j-box access. Posi-lock trim retention torsion springs.

### TRIM FINISH

A variety of architectural powdercoat and anodized finishes are available. Matte White flange is standard.

### ELECTRONICS

LED system features Xicato LED module with proprietary phosphor technology that provides consistent, stable color with CCT control of +/- 100K over life of the light engine. Base CRI is 83 with 2 MacAdam Ellipse binning. High CRI is 98 with 1 MacAdam Ellipse binning.

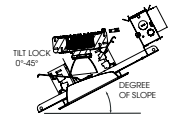
### CONSTRUCTION

Housing/frame constructed of #20 ga. galvanized steel to resist corrosion. Self-Flanged one piece trim spun from 0.063" thick high purity aluminum and finished to specification.

### CODE COMPLIANCE

BAA Compliant. Non-IC rated. ETL certified to meet US and Canadian standards. Suitable for dry or damp locations. Manufactured and tested to UL standards No. 1598/8750.

WATTAGE TO LUMENS UPDATE			
CURRENT PART NUMBER EXAMPLE	PREVIOUS PART NUMBER EXAMPLE	SOURCE LUMENS <sup>1</sup>	SYSTEM WATTS
SGSC8XT10L	SGSC8LEDX115W	1000	11.1
SGSC8XT13L	SGSC8LEDX120W	1300	15.0
SGSC8XT20L	SGSC8LEDX133W	2000	23.7
SGSC8XT30L	SGSC8LEDX152W	3000	34.6
SGSC8XT40L	N/A	4000	39.9
SGSC8XT50L	N/A	5000	54.0



SERIES	LUMENS <sup>1</sup>	CCT	OPTICS	DRIVER / DIMMING / VOLTAGE <sup>3</sup>	OPTIONS <sup>6</sup>	TRIM / SLOPE DEGREE / FINISH		
SGSC8XT	83 CRI		XN <sup>2</sup> 10° ND 27° MD 40° WD 45° XW 50°	E_ Electronic Driver DS10_ 10% 0-10V DO10_ 1% 0-10V DS2W1 1%, ELV/MLV, 120V DLTE1 <sup>4</sup> 1% Lutron® 2-Wire Forward Phase, 120V DL3E_ <sup>4</sup> 1% Lutron® EcoSystem®, Fade EL10_ 1%, eldoLED ED01_ 0.1%, eldoLED DALI_ DALI Control DMXS_ <sup>5</sup> DMX Standard Configuration DMXC_ <sup>5</sup> DMX Non-Standard Custom	BH27 <sup>7</sup> 27" Solid Bars H12 12" - 24" Expandable Bars H06 6" - 12" Expandable Bars CB24 24" C-Channel Bars FS Fusing EM Emergency Battery Pack CR Corrosion Resistant PR <sup>8</sup> Deep Ceiling Extension GR Goof Ring TBC T-bar Clips (for BH27) EB Black Housing	SC85XT 14° 19° 22° 26° 36° 45° SG <sup>9</sup> Semi-Diffuse HZ Haze Full Diffuse MW Matte White MB Matte Black AC Anodic Champagne AS Anodic Sapphire PT Platinum Silver OB Oil Rubbed Bronze CH Charcoal AS Anodic Sapphire AM Anodic Malachite SN Sun Gold CO Copper Metallic GH Graphite AMB Anti Microbial Finish CC Custom Color PF <sup>10</sup> Polished Flange		
	10L	1000 Lm					27K	2700K
	13L	1300 Lm					30K	3000K
	20L	2000 Lm					35K	3500K
	30L	3000 Lm					40K	4000K
	40L	4000 Lm						
	50L	5000 Lm						
	98 CRI							
	10L	1000 Lm					27HK	2700K
	13L	1300 Lm					30HK	3000K
20L	2000 Lm	35HK	3500K					
30L	3000 Lm	40HK	4000K					

EXAMPLE: SGSC8XT20L30KMDE1/SC85XT14°SG

NOTES:  
 1 Nominal Source Lumens at Any CCT 2 XN 13L Max at 83 and 98 CRI 3 Contact Factory for Additional Options 4 50L Not Available with Lutron Drivers 5 Contact Factory 6 See Product Options Page for Details  
 7 Standard Bar Hangers 8 Contact Factory 9 Standard Finish 10 Flange and Reflector Same Finish



PROJECT: \_\_\_\_\_  
 TYPE: \_\_\_\_\_



Dimensions and values shown are nominal. Spectrum Lighting continually works to improve products and reserves the right to make changes which may alter the performance or appearance of products.